

# Chesapeake

## 901-PT~947-PT

Our Chesapeake fixtures have always been one of our most popular indirect bowls. The crisp styling of the spun trim ring is a good contrast to the more traditional swag chains and cast bottom cap and finial. And the beige alabaster acrylic we show in the pendant fixture is consistently the primary color of order. We offer the Chesapeake with a top lens option that is always a good idea. No bugs or dust can enter the bowl once it is installed. Lamping options are pretty incredible. Our LED chips may actually be rotated up or down to increase light into the bowl or up to the ceiling.

### ~Chesapeake Series~

Chandelier: 941-CHT~973-CHT

Pendant: 901-PT~947-PT

Ceiling Mount: 901-CT~925-CT

Wall Mount: 901-WT~931-WT

S-Pendant: 901-ST~925-ST

**Mounting:** Lightsmith fixtures mount to standard 4" octagon electrical boxes unless otherwise specified. All hardware and canopies supplied.

**Listing and Warranty:** Lightsmith fixtures are Underwriters Laboratories listed and carry a standard three year warranty against defects in materials and labor beginning at date of shipment.



## Fixture Specifications

9 -PT

FIXTURE NUMBER  
(Example: 901-PT)

DIFFUSER  
(Example: BGA-ECH)

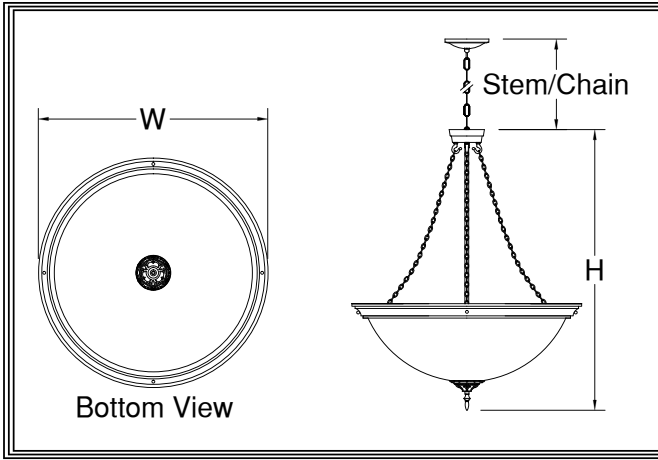
METAL FINISH  
(Example: ABB)

VOLTAGE  
 (120V)  
 (277V)  
 (347V)

STEM=S+Lgth  
(Example: S-96")  
CHAIN=C+Lgth  
(Example: C-96")  
NR=Not required

OPTIONS  
(Example: DIM,REM)

MODIFICATIONS  
(Example: Custom Paint\*)  
Use "Notes" Box At Top To Explain Modifications



9 -PT  
Fixture Number      Job Type

Job Name

Notes~Modifications

	Fixture Number	Dimensions	Lamping	Weight	Stem/Chain	Options
LED	<input type="checkbox"/> 901-PT	16w x 24h	4-13wCLED	15 lbs	3' Std	DALI,IEM,TPL,FUS**
	<input type="checkbox"/> 902-PT	24w x 32h	6-13wCLED	17 lbs	6' Std	L423,L623
	<input type="checkbox"/> 903-PT	30w x 38h	4-23wCLED	19 lbs	9' Std	L423,L623,L311
	<input type="checkbox"/> 904-PT	36w x 44h	4-38wCLED	21 lbs	9' Std	L623,L823,L611
	<input type="checkbox"/> 905-PT	46w x 56h	6-52wCLED	29 lbs	12' Std	L623,L823,L611
INCANDESCENT	<input type="checkbox"/> 916-PT	16w x 24h	3-100wA	12 lbs	3' Std	N250
	<input type="checkbox"/> 924-PT	24w x 32h	3-150wA	14 lbs	6' Std	N300
	<input type="checkbox"/> 930-PT	30w x 38h	6-100wA	16 lbs	9' Std	N300
	<input type="checkbox"/> 936-PT	36w x 44h	6-150wA	18 lbs	9' Std	N500
	<input type="checkbox"/> 946-PT	46w x 56h	12-150wA	26 lbs	12' Std	N500
FLUORESCENT	<input type="checkbox"/> 917-PT	16w x 24h	2-42wCFT	14 lbs	3' Std	DIM,IEM,TPL,FUS*
	<input type="checkbox"/> 925-PT	24w x 32h	4-42wCFT	16 lbs	6' Std	F242
	<input type="checkbox"/> 931-PT	30w x 38h	6-42wCFT	18 lbs	9' Std	F242
	<input type="checkbox"/> 937-PT	36w x 44h	6-FT40w	20 lbs	9' Std	F442
	<input type="checkbox"/> 947-PT	46w x 56h	8-FT50w	28 lbs	12' Std	F442

~Two Circuits Standard Wiring~

\*All Fluorescent Fixtures  
\*\*All LED Fixtures

DIFFUSER	Options	Options
<input type="checkbox"/> BGA: Beige Alabaster Acrylic	<input type="checkbox"/> GRA: Green Edge Acrylic	<input type="checkbox"/> ECH: Etched*
<input type="checkbox"/> NHA: Natural Horn Acrylic	<input type="checkbox"/> EGA: Earth Green Acrylic	*Etched option creates a matte, non-glossy finish on one side of the diffuser. (Example: WOA-ECH)
<input type="checkbox"/> WHA: White Alabaster Acrylic	<input type="checkbox"/> DGA: Deep Gold Acrylic	
<input type="checkbox"/> HNA: Honey Alabaster Acrylic	<input type="checkbox"/> SBA: Sea Blue Acrylic	
<input type="checkbox"/> WOA: White Opal Acrylic	<input type="checkbox"/> PHA: Purple Haze Acrylic	

METAL FINISH	SOLID BRASS FINISHES	PAINTED METAL FINISHES	ALUMINUM FINISHES	STAINLESS STEEL FINISHES
<input type="checkbox"/> ABB: Antique Brass	<input type="checkbox"/> DGP: Dark Green	<input type="checkbox"/> SAA: Satin Aluminum	<input type="checkbox"/> SSS: Satin	
<input type="checkbox"/> SBB: Satin Brass	<input type="checkbox"/> VGP: Verde Green	<input type="checkbox"/> SNA: Satin Nickel	<input type="checkbox"/> DSS: Distressed	
<input type="checkbox"/> PBB: Polished Brass	<input type="checkbox"/> CGP: Charcoal Gray	<input type="checkbox"/> PAA: Polished Aluminum	<input type="checkbox"/> PSS: Polished	
<input type="checkbox"/> ANB: Antique Nickel	<input type="checkbox"/> MBP: Medium Bronze	<input type="checkbox"/> BBA: Burnished Bronze	<input type="checkbox"/> HSS: Hammered	
<input type="checkbox"/> SNB: Satin Nickel	<input type="checkbox"/> SBP: Satin Black	<input type="checkbox"/> RNA: Red Naval Bronze	<input type="checkbox"/>	
<input type="checkbox"/> PNB: Polished Nickel	<input type="checkbox"/> DBP: Dark Bronze	<input type="checkbox"/> SGA: Satin Gold	<input type="checkbox"/>	
<input type="checkbox"/> AZB: Antique Bronze	<input type="checkbox"/> LBP: Light Bronze	<input type="checkbox"/> SBA: Satin Bronze	<input type="checkbox"/>	
<input type="checkbox"/> SZB: Satin Bronze	<input type="checkbox"/> MGP: Medium Gold	<input type="checkbox"/> ORA: Oil Rubbed Bronze	<input type="checkbox"/>	
<input type="checkbox"/> PZB: Polished Bronze	<input type="checkbox"/> SCP: Sponged Copper	<input type="checkbox"/> SCA: Satin Copper	<input type="checkbox"/>	
<input type="checkbox"/> CSB: Custom Brass*	<input type="checkbox"/> CSP: Custom Paint*	<input type="checkbox"/> CSA: Custom Aluminum*	<input type="checkbox"/> CSS: Custom SS*	

OPTIONS	Options	Options
<input type="checkbox"/> N250: 250wPar38 Downlight	<input type="checkbox"/> L311: 3-11wCLED Uplight	<input type="checkbox"/> FUS: Fusing
<input type="checkbox"/> N300: 300wPar56 Downlight	<input type="checkbox"/> L611: 6-11wCLED Uplight	<input type="checkbox"/> IEM: Integral Emer.Ballast
<input type="checkbox"/> N500: 500wPar56 Downlight	<input type="checkbox"/> L423: 4-23wCLED Downlight	<input type="checkbox"/> DALI: Dali dimming LED
<input type="checkbox"/> DIM: Dimming Ballast	<input type="checkbox"/> L623: 6-23wCLED Downlight	<input type="checkbox"/> F242: 2-42wCFT Downlight
<input type="checkbox"/> TPL: Top Lens	<input type="checkbox"/> L823: 8-23wCLED Downlight	<input type="checkbox"/> F442: 4-42wCFT Downlight