

# Rivanna

## 501-PT~549-PT

Our Rivanna fixtures are sleek acrylic bowls featuring heavy gage chain suspensions, cast brass hooks, spun brass fonts, and a gorgeous acanthus leaf band. They are modeled after early 18th century alabaster oil bowls that floated a wick and flame for light. Our lamping options are a little more sophisticated now. With incandescent sources maybe you'll have to refill your bowl once a year. With fluorescent...once every ten years. With LED...once every generation ~ twenty plus years\* We think polished brass and black looks just right!

\*Under normal church use.

### ~Rivanna Series~

Chandelier: 541-CHT~573-CHT

Pendant: 501-PT~549-PT

Ceiling Mount: 501-CT~525-CT

Wall Mount: 501-WT~531-WT

S-Pendant: 501-ST~525-ST

**Mounting:** Lightsmith fixtures mount to standard 4" octagon electrical boxes unless otherwise specified. All hardware and canopies supplied.

**Listing and Warranty:** Lightsmith fixtures are Underwriters Laboratories listed and carry a standard three year warranty against defects in materials and labor beginning at date of shipment.



## Fixture Specifications

5 -PT  
FIXTURE NUMBER  
(Example: 501-PT)

~  
DIFFUSER  
(Example: BGA-ECH)

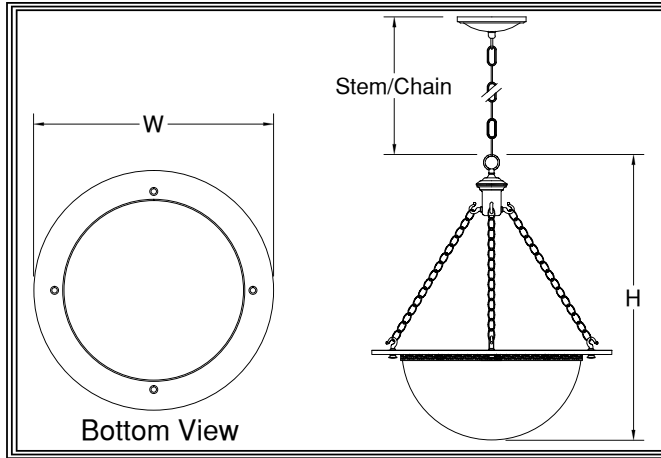
~  
METAL FINISH  
(Example: ABB)

~  
VOLTAGE  
 (120V)  
 (277V)  
 (347V)

~  
STEM=S+Lgth  
(Example: S-96")  
CHAIN=C+Lgth  
(Example: C-96")  
NR=Not required

~  
OPTIONS  
(Example: DIM,REM)

~  
MODIFICATIONS  
(Example: Custom Paint\*)  
Use "Notes" Box At Top To Explain Modifications



5 -PT  
Fixture Number      Job Type

Job Name

Notes~Modifications

	Fixture Number	Dimensions	Lamping	Weight	Stem/Chain	Options
LED	<input type="checkbox"/> 501-PT	16w x 24h	4-13wCLED	15 lbs	3' Std	DALI,IEM,TPL,FUS**
	<input type="checkbox"/> 502-PT	24w x 32h	6-13wCLED	17 lbs	6' Std	L423,L623
	<input type="checkbox"/> 503-PT	30w x 38h	4-23wCLED	19 lbs	9' Std	L423,L623,L311
	<input type="checkbox"/> 504-PT	36w x 44h	4-38wCLED	21 lbs	9' Std	L623,L823,L611
	<input type="checkbox"/> 505-PT	48w x 56h	6-52wCLED	29 lbs	12' Std	L623,L823,L611
INCANDESCENT	<input type="checkbox"/> 516-PT	16w x 24h	3-100wA	12 lbs	3' Std	N250
	<input type="checkbox"/> 524-PT	24w x 32h	3-150wA	14 lbs	6' Std	N300
	<input type="checkbox"/> 530-PT	30w x 38h	6-100wA	16 lbs	9' Std	N300
	<input type="checkbox"/> 536-PT	36w x 44h	6-150wA	18 lbs	9' Std	N500
	<input type="checkbox"/> 548-PT	48w x 56h	12-150wA	26 lbs	12' Std	N500
FLUORESCENT	<input type="checkbox"/> 517-PT	16w x 24h	2-42wCFT	14 lbs	3' Std	DIM,IEM,TPL,FUS*
	<input type="checkbox"/> 525-PT	24w x 32h	4-42wCFT	16 lbs	6' Std	F242
	<input type="checkbox"/> 531-PT	30w x 38h	6-42wCFT	18 lbs	9' Std	F242
	<input type="checkbox"/> 537-PT	36w x 44h	8-42wCFT	20 lbs	9' Std	F442
	<input type="checkbox"/> 549-PT	48w x 56h	10-42wCFT	28 lbs	12' Std	F442

~Two Circuits Standard Wiring~

\*All Fluorescent Fixtures  
\*\*All LED Fixtures

DIFFUSER	<input type="checkbox"/> BGA: Beige Alabaster Acrylic	<input type="checkbox"/> GRA: Green Edge Acrylic	<input type="checkbox"/> ECH: Etched*
	<input type="checkbox"/> NHA: Natural Horn Acrylic	<input type="checkbox"/> EGA: Earth Green Acrylic	*Etched option creates a matte, non-glossy finish on one side of the diffuser. (Example: WOA-ECH)
	<input type="checkbox"/> WHA: White Alabaster Acrylic	<input type="checkbox"/> DGA: Deep Gold Acrylic	
	<input type="checkbox"/> HNA: Honey Alabaster Acrylic	<input type="checkbox"/> SBA: Sea Blue Acrylic	
	<input type="checkbox"/> WOA: White Opal Acrylic	<input type="checkbox"/> PHA: Purple Haze Acrylic	

	SOLID BRASS FINISHES	PAINTED METAL FINISHES	ALUMINUM FINISHES	STAINLESS STEEL FINISHES
METAL FINISH	<input type="checkbox"/> ABB: Antique Brass	<input type="checkbox"/> DGP: Dark Green	<input type="checkbox"/> SAA: Satin Aluminum	<input type="checkbox"/> SSS: Satin
	<input type="checkbox"/> SBB: Satin Brass	<input type="checkbox"/> VGP: Verde Green	<input type="checkbox"/> SNA: Satin Nickel	<input type="checkbox"/> DSS: Distressed
	<input type="checkbox"/> PBB: Polished Brass	<input type="checkbox"/> CGP: Charcoal Gray	<input type="checkbox"/> PAA: Polished Aluminum	<input type="checkbox"/> PSS: Polished
	<input type="checkbox"/> ANB: Antique Nickel	<input type="checkbox"/> MBP: Medium Bronze	<input type="checkbox"/> BBA: Burnished Bronze	<input type="checkbox"/> HSS: Hammered
	<input type="checkbox"/> SNB: Satin Nickel	<input type="checkbox"/> SBP: Satin Black	<input type="checkbox"/> RNA: Red Naval Bronze	<input type="checkbox"/>
	<input type="checkbox"/> PNB: Polished Nickel	<input type="checkbox"/> DBP: Dark Bronze	<input type="checkbox"/> SGA: Satin Gold	<input type="checkbox"/>
	<input type="checkbox"/> AZB: Antique Bronze	<input type="checkbox"/> LBP: Light Bronze	<input type="checkbox"/> SBA: Satin Bronze	<input type="checkbox"/>
	<input type="checkbox"/> SZB: Satin Bronze	<input type="checkbox"/> MGP: Medium Gold	<input type="checkbox"/> ORA: Oil Rubbed Bronze	<input type="checkbox"/>
	<input type="checkbox"/> PZB: Polished Bronze	<input type="checkbox"/> SCP: Sponged Copper	<input type="checkbox"/> SCA: Satin Copper	<input type="checkbox"/>
	<input type="checkbox"/> CSB: Custom Brass*	<input type="checkbox"/> CSP: Custom Paint*	<input type="checkbox"/> CSA: Custom Aluminum*	<input type="checkbox"/>
	<input type="checkbox"/>			<input type="checkbox"/> CSS: Custom SS*
	<input type="checkbox"/>			<input type="checkbox"/>
	<input type="checkbox"/>			<input type="checkbox"/>
	<input type="checkbox"/>			<input type="checkbox"/>

OPTIONS	<input type="checkbox"/> N250: 250wPar38 Downlight	<input type="checkbox"/> L311: 3-11wCLED Uplight	<input type="checkbox"/> FUS: Fusing
	<input type="checkbox"/> N300: 300wPar56 Downlight	<input type="checkbox"/> L611: 6-11wCLED Uplight	<input type="checkbox"/> IEM: Integral Emer.Ballast
	<input type="checkbox"/> N500: 500wPar56 Downlight	<input type="checkbox"/> L423: 4-23wCLED Downlight	<input type="checkbox"/> DALI: Dali dimming LED
	<input type="checkbox"/> DIM: Dimming Ballast	<input type="checkbox"/> L623: 6-23wCLED Downlight	<input type="checkbox"/> F242: 2-42wCFT Downlight
	<input type="checkbox"/> TPL: Top Lens	<input type="checkbox"/> L823: 8-23wCLED Downlight	<input type="checkbox"/> F442: 4-42wCFT Downlight
	<input type="checkbox"/>		
	<input type="checkbox"/>		
	<input type="checkbox"/>		
	<input type="checkbox"/>		
	<input type="checkbox"/>		