



Monroe

304-CT~317-CT

Our Monroe fixtures have been a popular item with Lightsmith customers for many years. They are available in a variety of finishes and diffusers; but we consistently make them from solid antique brass and real streaked opal glass...just like the pendant photo. These are beautiful lanterns, symmetrical and bright. Though these lights are still very traditional in every way on the outside, you may order some amazing lamping options for the inside. For example, if you don't want to change bulbs for the next twenty years; order out LED option. Enjoy the spare time...go fishing.

~Monroe Series~

- Chandelier:341-CHT~373-CHT
- Pendant:301-PT~317-PT
- Ceiling Mount:304-CT~317-CT**
- Wall Mount:301-WT~313-WT
- S-Pendant:303-ST~315-ST

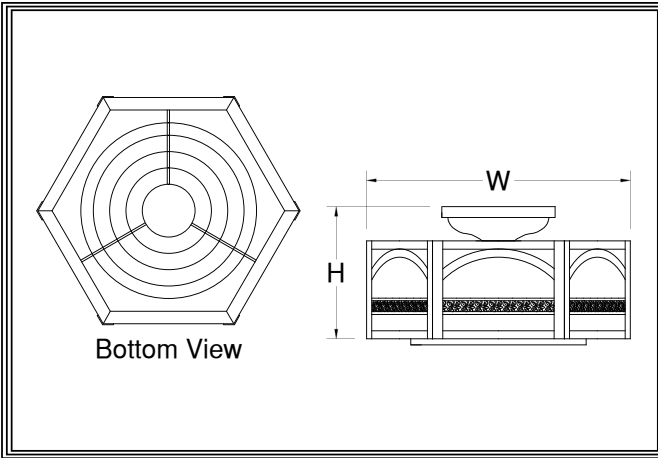
Mounting:Lightsmith fixtures mount to standard 4" octagon electrical boxes unless otherwise specified. All hardware and canopies supplied.

Listing and Warranty: Lightsmith fixtures are Underwriters Laboratories listed and carry a standard three year warranty against defects in materials and labor beginning at date of shipment.



Fixture Specifications

| | | | | | | | | | | | | |
|---|---|--|---|--|---|--|---|---|---|--|---|--|
| 3 -CT <small>FIXTURE NUMBER (Example: 304-CT)</small> | ~ | <input type="text"/> <small>DIFFUSER (Example: BGA-ECH)</small> | ~ | <input type="text"/> <small>METAL FINISH (Example: ABB)</small> | ~ | <input type="text"/> <small>VOLTAGE <input type="checkbox"/> (120V) <input type="checkbox"/> (277V) <input type="checkbox"/> (347V) </small> | ~ | NR <small>STEM=S+Lgth (Example:S-96") CHAIN=C+Lgth (Example:C-96") NR=Not required </small> | ~ | <input type="text"/> <small>OPTIONS (Example: DIM, REM)</small> | ~ | <input type="text"/> <small>MODIFICATIONS (Example: Custom Paint) Use "Notes" Box At Top To Explain Modifications </small> |
|---|---|--|---|--|---|--|---|---|---|--|---|--|



| | |
|---|---|
| 3 -CT <small>Fixture Number</small> | <input type="text"/> <small>Job Type</small> |
| <input type="text"/> <small>Job Name</small> | |
| <small>Notes~Modifications</small> | |

| | Fixture Number | Dimensions | Lamping | Weight | Options |
|--------------|---------------------------------|------------|-----------|--------|--------------------------|
| LED | <input type="checkbox"/> 304-CT | 14w x 10h | 3-11wCLED | 9 lbs | DALI, REM, FUS** L123 |
| | <input type="checkbox"/> 305-CT | 16w x 10h | 3-13wCLED | 11 lbs | |
| INCANDESCENT | <input type="checkbox"/> 314-CT | 14w x 10h | 3-60wA | 6 lbs | N75 N100 |
| | <input type="checkbox"/> 316-CT | 16w x 10h | 3-75wA | 8 lbs | |
| FLUORESCENT | <input type="checkbox"/> 315-CT | 14w x 10h | 2-26wCFT | 8 lbs | DIM, REM, FUS* |
| | <input type="checkbox"/> 317-CT | 16w x 10h | 2-32wCFT | 10 lbs | |

~Single Circuit Standard Wiring~

*All Fluorescent Fixtures
**All LED Fixtures

| | | | |
|----------|--|--|--|
| DIFFUSER | <input type="checkbox"/> BGA: Beige Alabaster Acrylic | <input type="checkbox"/> GRA: Green Edge Acrylic | <input type="checkbox"/> ECH: Etched* |
| | <input type="checkbox"/> NHA: Natural Horn Acrylic | <input type="checkbox"/> EGA: Earth Green Acrylic | <i>*Etched option creates a matte, non-glossy finish on one side of the diffuser. (Example: WOA-ECH)</i> |
| | <input type="checkbox"/> WHA: White Alabaster Acrylic | <input type="checkbox"/> DGA: Deep Gold Acrylic | |
| | <input type="checkbox"/> HNA: Honey Alabaster Acrylic | <input type="checkbox"/> SOG: Streaked Opal Glass | |
| | <input type="checkbox"/> WOA: White Opal Acrylic | <input type="checkbox"/> WOG: White Opal Glass | |

| | SOLID BRASS FINISHES | PAINTED METAL FINISHES | ALUMINUM FINISHES | STAINLESS STEEL FINISHES |
|--------------|--|---|--|---|
| METAL FINISH | <input type="checkbox"/> ABB: Antique Brass | <input type="checkbox"/> DGP: Dark Green | <input type="checkbox"/> SAA: Satin Aluminum | <input type="checkbox"/> SSS: Satin |
| | <input type="checkbox"/> SBB: Satin Brass | <input type="checkbox"/> VGP: Verde Green | <input type="checkbox"/> SNA: Satin Nickel | <input type="checkbox"/> DSS: Distressed |
| | <input type="checkbox"/> PBB: Polished Brass | <input type="checkbox"/> CGP: Charcoal Gray | <input type="checkbox"/> PAA: Polished Aluminum | <input type="checkbox"/> PSS: Polished |
| | <input type="checkbox"/> ANB: Antique Nickel | <input type="checkbox"/> MBP: Medium Bronze | <input type="checkbox"/> BBA: Burnished Bronze | <input type="checkbox"/> HSS: Hammered |
| | <input type="checkbox"/> SNB: Satin Nickel | <input type="checkbox"/> SBP: Satin Black | <input type="checkbox"/> RNA: Red Naval Bronze | <input type="checkbox"/> |
| | <input type="checkbox"/> PNB: Polished Nickel | <input type="checkbox"/> DBP: Dark Bronze | <input type="checkbox"/> SGA: Satin Gold | <input type="checkbox"/> |
| | <input type="checkbox"/> AZB: Antique Bronze | <input type="checkbox"/> LBP: Light Bronze | <input type="checkbox"/> SBA: Satin Bronze | <input type="checkbox"/> |
| | <input type="checkbox"/> SZB: Satin Bronze | <input type="checkbox"/> MGP: Medium Gold | <input type="checkbox"/> ORA: Oil Rubbed Bronze | <input type="checkbox"/> |
| | <input type="checkbox"/> PZB: Polished Bronze | <input type="checkbox"/> SCP: Sponged Copper | <input type="checkbox"/> SCA: Satin Copper | <input type="checkbox"/> |
| | <input type="checkbox"/> CSB: Custom Brass* | <input type="checkbox"/> CSP: Custom Paint* | <input type="checkbox"/> CSA: Custom Aluminum* | <input type="checkbox"/> CSS: Custom SS* |

| | | | |
|---------|---|---|--|
| OPTIONS | <input type="checkbox"/> N75: 75wPar30 Downlight | <input type="checkbox"/> L123: 1-23wCLED Downlight | <input type="checkbox"/> FUS: Fusing |
| | <input type="checkbox"/> N100: 100wPar30 Downlight | <input type="checkbox"/> | <input type="checkbox"/> DALI: Dali dimming LED |
| | <input type="checkbox"/> DIM: Dimming Ballast | <input type="checkbox"/> | <input type="checkbox"/> |
| | <input type="checkbox"/> REM: Remote Emer. Ballast | <input type="checkbox"/> | <input type="checkbox"/> |
| | <input type="checkbox"/> | <input type="checkbox"/> | <input type="checkbox"/> |