

Clarke

2901-PT~2916-PT

Our Clarke fixtures are modest designs by today's standards. They would have looked just right in a 17th century American church. Blacksmiths would have forged them. And the acrylic might have been glass or mica. We most often build these lights to look like wrought iron for that very reason. A colonial church design would look right with a forged black lantern featuring minimal decoration. The simple nature of these fixtures does not stop us from building massive amounts of light into them. Our LED options are the most powerful thing going right now. Try them and see.

~Clarke Series~

Chandelier:2941-CHT~2972-CHT

Pendant:2901-PT~2916-PT

Ceiling Mt:2904-CT~2917-CT

Wall Mt:2901-WT~2913-WT

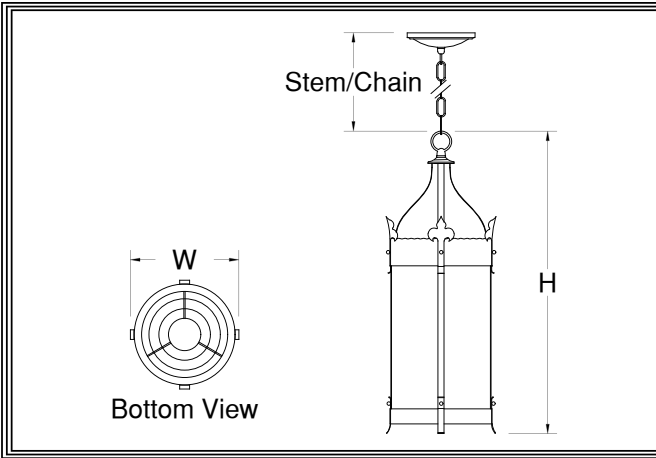
S-Pendant:2903-ST~2915-ST

Mounting: Lightsmith fixtures mount to standard 4" octagon electrical boxes unless otherwise specified. All hardware and canopies supplied.

Listing and Warranty: Lightsmith fixtures are Underwriters Laboratories listed and carry a standard three year warranty against defects in materials and labor beginning at date of shipment.



Fixture Specifications



29__-PT
Fixture Number Job Type

Job Name

Notes~Modifications

	Fixture Number	Dimensions	Lamping	Weight	Stem/Chain	Options
LED	<input type="checkbox"/> 2901-PT	9w x 25h	2-13wL(2820 lm)	29 lbs	3' Std	IEM,REM,SPR**
	<input type="checkbox"/> 2902-PT	11w x 31h	4-13wL(5640 lm)/1-38wC(5734 lm)	33 lbs	6' Std	L313
	<input type="checkbox"/> 2903-PT	13w x 37h	6-13wL(8460 lm)/1-38wC(5734 lm)	42 lbs	9' Std	L313
	<input type="checkbox"/> 2904-PT	15w x 43h	12-13wL(16920 lm)/1-52wC(9375 lm)	57 lbs	9' Std	L323
	<input type="checkbox"/> 2905-PT	17w x 49h	12-13wL(16920 lm)/1-83wC(12597 lm)	71 lbs	12' Std	L323
INCANDESCENT	<input type="checkbox"/> 2908-PT	9w x 25h	1-150wA(1200 lm)	24 lbs	3' Std	L38
	<input type="checkbox"/> 2910-PT	11w x 31h	3-75wA(3600 lm)/1-250wP38(3600 lm)	29 lbs	6' Std	L52,L310
	<input type="checkbox"/> 2912-PT	13w x 37h	6-75wA(7200 lm)/1-250wP38(3600 lm)	38 lbs	9' Std	L52,L610
	<input type="checkbox"/> 2914-PT	15w x 43h	6-75wA(7200 lm)/1-500wR40(5000 lm)	47 lbs	9' Std	L83,L610
	<input type="checkbox"/> 2916-PT	17w x 49h	9-75wA(10800 lm)/1-500wR40(5000 lm)	62 lbs	12' Std	L83,L910
FLUORESCENT	<input type="checkbox"/>					

~Two Circuits Standard Wiring~

**All LED Fixtures

DIFFUSER	<input type="checkbox"/> BGA: Beige Alabaster Acrylic	<input type="checkbox"/> GRA: Green Edge Acrylic	<input type="checkbox"/> ECH: Etched*
	<input type="checkbox"/> NHA: Natural Horn Acrylic	<input type="checkbox"/> EGA: Earth Green Acrylic	*Etched option creates a matte, non-glossy finish on one side of the diffuser. (Example:WOA-ECH)
	<input type="checkbox"/> WHA: White Alabaster Acrylic	<input type="checkbox"/> DGA: Deep Gold Acrylic	
	<input type="checkbox"/> HNA: Honey Alabaster Acrylic	<input type="checkbox"/> SOG: Streaked Opal Glass	
	<input type="checkbox"/> WOA: White Opal Acrylic	<input type="checkbox"/> WOG: White Opal Glass	

	SOLID BRASS FINISHES	PAINTED METAL FINISHES	ALUMINUM FINISHES	STAINLESS STEEL FINISHES
METAL FINISH	<input type="checkbox"/> ABB: Antique Brass	<input type="checkbox"/> DGP: Dark Green	<input type="checkbox"/> SAA: Satin Aluminum	<input type="checkbox"/> NA
	<input type="checkbox"/> SBB: Satin Brass	<input type="checkbox"/> VGP: Verde Green	<input type="checkbox"/> SNA: Satin Nickel	<input type="checkbox"/>
	<input type="checkbox"/> PBB: Polished Brass	<input type="checkbox"/> CGP: Charcoal Gray	<input type="checkbox"/> PAA: Polished Aluminum	<input type="checkbox"/>
	<input type="checkbox"/> ANB: Antique Nickel	<input type="checkbox"/> MBP: Medium Bronze	<input type="checkbox"/> BBA: Burnished Bronze	<input type="checkbox"/>
	<input type="checkbox"/> SNB: Satin Nickel	<input type="checkbox"/> SBP: Satin Black	<input type="checkbox"/> RNA: Red Naval Bronze	<input type="checkbox"/>
	<input type="checkbox"/> PNB: Polished Nickel	<input type="checkbox"/> DBP: Dark Bronze	<input type="checkbox"/> SGA: Satin Gold	<input type="checkbox"/>
	<input type="checkbox"/> AZB: Antique Bronze	<input type="checkbox"/> LBP: Light Bronze	<input type="checkbox"/> SBA: Satin Bronze	<input type="checkbox"/>
	<input type="checkbox"/> SZB: Satin Bronze	<input type="checkbox"/> MGP: Medium Gold	<input type="checkbox"/> ORA: Oil Rubbed Bronze	<input type="checkbox"/>
	<input type="checkbox"/> PZB: Polished Bronze	<input type="checkbox"/> SCP: Sponged Copper	<input type="checkbox"/> SCA: Satin Copper	<input type="checkbox"/>
	<input type="checkbox"/> CSB: Custom Brass*	<input type="checkbox"/> CSP: Custom Paint*	<input type="checkbox"/> CSA: Custom Aluminum*	<input type="checkbox"/>

OPTIONS	<input type="checkbox"/> L38: 38wLED R40 Downlight	<input type="checkbox"/> L313: 3-13wCLEU Uplight	<input type="checkbox"/> SPR: Surge protector
	<input type="checkbox"/> L52: 52wLED R40 Downlight	<input type="checkbox"/> L323: 3-23wCLEU Uplight	<input type="checkbox"/> IEM: Integral Emer.Ballast
	<input type="checkbox"/> L83: 83wLED R40 Downlight	<input type="checkbox"/> L310: 3-10wLED A-lamp	<input type="checkbox"/>
	<input type="checkbox"/> DIM: Dimming Driver (std)	<input type="checkbox"/> L610: 6-10wLED A-lamp	<input type="checkbox"/>
	<input type="checkbox"/> REM: Remote Emer.Driver	<input type="checkbox"/> L910: 9-10wLED A-lamp	<input type="checkbox"/>

29__-PT ~ [] ~ [] ~ [] ~ [] ~ [] ~ []

FIXTURE NUMBER (Example: 2901-PT)
 DIFFUSER (Example: BGA-ECH)
 METAL FINISH (Example: ABB)
 VOLTAGE (120V, 277V, 347V)
 STEM=S+Lgth (Example:S-96") CHAIN=C+Lgth (Example:C-96") NR=Not required
 OPTIONS (Example:DIM,REM)
 MODIFICATIONS (Example:Custom Paint*) Use "Notes" Box At Top To Explain Modifications