



**Walton**

**2701-PT~2716-PT**

Our Walton fixtures are classic designs with roots in the middle of the 1950s. They feature a central diffuser cylinder that is locked into place by a massive lower spinning and four slender arms with ball fitting reveals all around. Walton fixtures also punctuate the roll of colonial design with their cone tops and cast loops. Smartly joining straight support rods into the cone is a unique way of asserting blend in two very different time periods. The effect is universally good looking and functional as well. Many colors and acrylics to choose from. And complete LED options.

**~Walton Series~**

Chandelier:2741-CHT~2772-CHT

Pendant:2701-PT~2716-PT

Ceiling Mt:2704-CT~2717-CT

Wall Mt:2701-WT~2713-WT

S-Pendant:2703-ST~2715-ST

**Mounting:** Lightsmith fixtures mount to standard 4" octagon electrical boxes unless otherwise specified. All hardware and canopies supplied.

**Listing and Warranty:** Lightsmith fixtures are Underwriters Laboratories listed and carry a standard three year warranty against defects in materials and labor beginning at date of shipment.



**Fixture Specifications**

27 -PT  
FIXTURE NUMBER  
(Example: 2701-PT)

~  
DIFFUSER  
(Example: BGA-ECH)

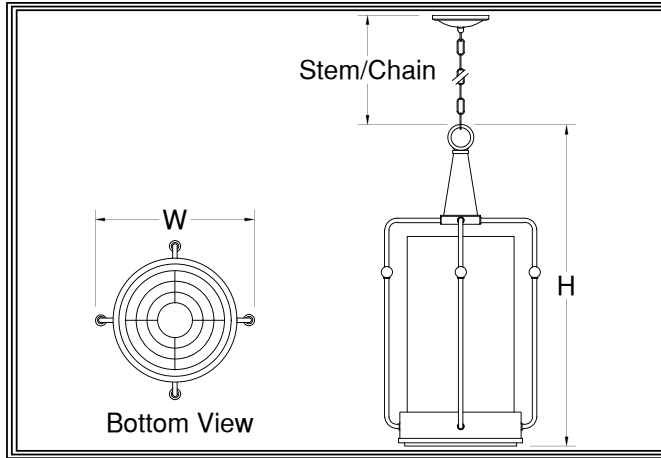
~  
METAL FINISH  
(Example: ABB)

~  
VOLTAGE  
 (120V)  
 (277V)  
 (347V)

~  
STEM=S+Lgth  
(Example: S-96")  
CHAIN=C+Lgth  
(Example: C-96")  
NR=Not required

~  
OPTIONS  
(Example: DIM,REM)

~  
MODIFICATIONS  
(Example: Custom Paint)  
Use "Notes" Box At Top To Explain Modifications



27 -PT  
Fixture Number      Job Type

Job Name

Notes~Modifications

	Fixture Number	Dimensions	Lamping	Weight	Stem/Chain	Options
LED	<input type="checkbox"/> 2701-PT	9w x 18h	2-13wL(2820 lm)	18 lbs	3' Std	IEM,REM,SPR**
	<input type="checkbox"/> 2702-PT	12w x 24h	4-13wL(5640 lm)/1-38wC(5734 lm)	21 lbs	6' Std	L313
	<input type="checkbox"/> 2703-PT	15w x 30h	6-13wL(8460 lm)/1-38wC(5734 lm)	27 lbs	9' Std	L313
	<input type="checkbox"/> 2704-PT	17w x 36h	12-13wL(16920 lm)/1-52wC(9375 lm)	37 lbs	9' Std	L323
	<input type="checkbox"/> 2705-PT	20w x 42h	12-13wL(16920 lm)/1-83wC(12597 lm)	46 lbs	12' Std	L323
INCANDESCENT	<input type="checkbox"/> 2708-PT	9w x 18h	1-150wA(1200 lm)	15 lbs	3' Std	L38
	<input type="checkbox"/> 2710-PT	12w x 24h	3-75wA(3600 lm)/1-250wP38(3600 lm)	18 lbs	6' Std	L52,L310
	<input type="checkbox"/> 2712-PT	15w x 30h	6-75wA(7200 lm)/1-250wP38(3600 lm)	24 lbs	9' Std	L52,L610
	<input type="checkbox"/> 2714-PT	17w x 36h	6-75wA(7200 lm)/1-500wR40(5000 lm)	30 lbs	9' Std	L83,L610
	<input type="checkbox"/> 2716-PT	20w x 42h	9-75wA(10800 lm)/1-500wR40(5000 lm)	40 lbs	12' Std	L83,L910
FLUORESCENT	<input type="checkbox"/>					

~Two Circuits Standard Wiring~

\*\*All LED Fixtures

DIFFUSER	<input type="checkbox"/> <b>BGA:</b> Beige Alabaster Acrylic	<input type="checkbox"/> <b>GRA:</b> Green Edge Acrylic	<input type="checkbox"/> <b>ECH:</b> Etched*
	<input type="checkbox"/> <b>NHA:</b> Natural Horn Acrylic	<input type="checkbox"/> <b>EGA:</b> Earth Green Acrylic	*Etched option creates a matte, non-glossy finish on one side of the diffuser. (Example: WOA-ECH)
	<input type="checkbox"/> <b>WHA:</b> White Alabaster Acrylic	<input type="checkbox"/> <b>DGA:</b> Deep Gold Acrylic	
	<input type="checkbox"/> <b>HNA:</b> Honey Alabaster Acrylic	<input type="checkbox"/> <b>SOG:</b> Streaked Opal Glass	
	<input type="checkbox"/> <b>WOA:</b> White Opal Acrylic	<input type="checkbox"/> <b>WOG:</b> White Opal Glass	

	SOLID BRASS FINISHES	PAINTED METAL FINISHES	ALUMINUM FINISHES	STAINLESS STEEL FINISHES
METAL FINISH	<input type="checkbox"/> <b>ABB:</b> Antique Brass	<input type="checkbox"/> <b>DGP:</b> Dark Green	<input type="checkbox"/> <b>SAA:</b> Satin Aluminum	<input type="checkbox"/> <b>SSS:</b> Satin
	<input type="checkbox"/> <b>SBB:</b> Satin Brass	<input type="checkbox"/> <b>VGP:</b> Verde Green	<input type="checkbox"/> <b>SNA:</b> Satin Nickel	<input type="checkbox"/> <b>DSS:</b> Distressed
	<input type="checkbox"/> <b>PBB:</b> Polished Brass	<input type="checkbox"/> <b>CGP:</b> Charcoal Gray	<input type="checkbox"/> <b>PAA:</b> Polished Aluminum	<input type="checkbox"/> <b>PSS:</b> Polished
	<input type="checkbox"/> <b>ANB:</b> Antique Nickel	<input type="checkbox"/> <b>MBP:</b> Medium Bronze	<input type="checkbox"/> <b>BBA:</b> Burnished Bronze	<input type="checkbox"/> <b>HSS:</b> Hammered
	<input type="checkbox"/> <b>SNB:</b> Satin Nickel	<input type="checkbox"/> <b>SBP:</b> Satin Black	<input type="checkbox"/> <b>RNA:</b> Red Naval Bronze	<input type="checkbox"/>
	<input type="checkbox"/> <b>PNB:</b> Polished Nickel	<input type="checkbox"/> <b>DBP:</b> Dark Bronze	<input type="checkbox"/> <b>SGA:</b> Satin Gold	<input type="checkbox"/>
	<input type="checkbox"/> <b>AZB:</b> Antique Bronze	<input type="checkbox"/> <b>LBP:</b> Light Bronze	<input type="checkbox"/> <b>SBA:</b> Satin Bronze	<input type="checkbox"/>
	<input type="checkbox"/> <b>SZB:</b> Satin Bronze	<input type="checkbox"/> <b>MGP:</b> Medium Gold	<input type="checkbox"/> <b>ORA:</b> Oil Rubbed Bronze	<input type="checkbox"/>
	<input type="checkbox"/> <b>PZB:</b> Polished Bronze	<input type="checkbox"/> <b>SCP:</b> Sponged Copper	<input type="checkbox"/> <b>SCA:</b> Satin Copper	<input type="checkbox"/>
	<input type="checkbox"/> <b>CSB:</b> Custom Brass*	<input type="checkbox"/> <b>CSP:</b> Custom Paint*	<input type="checkbox"/> <b>CSA:</b> Custom Aluminum*	<input type="checkbox"/> <b>CSS:</b> Custom SS*

OPTIONS	<input type="checkbox"/> <b>L38:</b> 38wLED R40 Downlight	<input type="checkbox"/> <b>L313:</b> 3-13wCLED Uplight	<input type="checkbox"/> <b>SPR:</b> Surge protector
	<input type="checkbox"/> <b>L52:</b> 52wLED R40 Downlight	<input type="checkbox"/> <b>L323:</b> 3-23wCLED Uplight	<input type="checkbox"/> <b>IEM:</b> Integral Emer.Ballast
	<input type="checkbox"/> <b>L83:</b> 83wLED R40 Downlight	<input type="checkbox"/> <b>L310:</b> 3-10wLED A-lamp	<input type="checkbox"/>
	<input type="checkbox"/> <b>DIM:</b> Dimming Driver (std)	<input type="checkbox"/> <b>L610:</b> 6-10wLED A-lamp	<input type="checkbox"/>
	<input type="checkbox"/> <b>REM:</b> Remote Emer.Driver	<input type="checkbox"/> <b>L910:</b> 9-10wLED A-lamp	<input type="checkbox"/>