



**Whitby**

**2301-WT~2312-WT**

Our Whitby series is a traditional fixture featuring both gothic and colonial motifs. The pendants are especially tall with a distinct curving top hexagonal lens that is meant to resemble the Florence Brunelleschi Cathedral dome in shape and scale. Side ornamentation is both colonial organic and early European gothic. As a complete series, the Whitby line is meant to be a perfect compliment to a wide range of traditional interiors. We offer Whitby in ceiling, wall, pendant, and even hanging lantern versions. The lights come in modular LED as well as screw-in LED versions.

**~Whitby Series~**

Chandelier:2341-CHT~2373-CHT

Pendant:2301-PT~2316-PT

Ceiling Mount:2304-CT~2317-CT

Wall Mount:2301-WT~2312-WT

S-Pendant:2303-ST~2315-ST

**Mounting:** Lightsmith fixtures mount to standard 4" octagon electrical boxes unless otherwise specified. All hardware and canopies supplied.

**Listing and Warranty:** Lightsmith fixtures are Underwriters Laboratories listed and carry a standard three year warranty against defects in materials and labor beginning at date of shipment.



**Fixture Specifications**

23\_\_-WT

FIXTURE NUMBER  
(Example: 2308-WT)

DIFFUSER  
(Example: BGA-ECH)

METAL FINISH  
(Example: ABB)

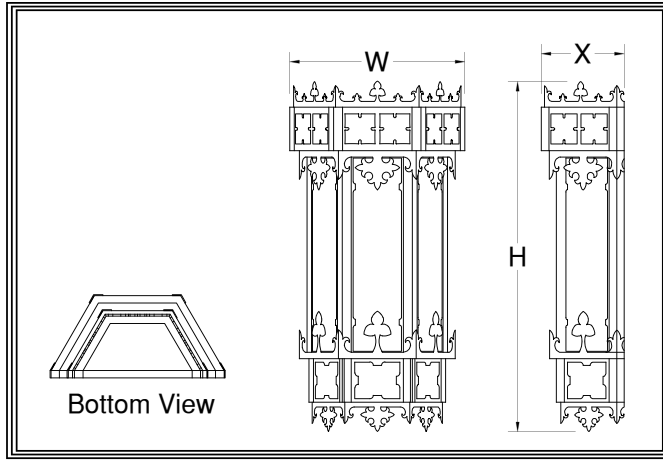
VOLTAGE  
 (120V)  
 (277V)  
 (347V)

NR

STEM=S+Lgth  
(Example:S-96")  
CHAIN=C+Lgth  
(Example:C-96")  
NR=Not required

OPTIONS  
(Example: DIM, REM)

MODIFICATIONS  
(Example: Custom Paint)  
Use "Notes" Box At Top To Explain Modifications



23\_\_-WT

Fixture Number

Job Type

Job Name

Notes~Modifications

	Fixture Number	Dimensions	Lamping	Weight	Options
LED	<input type="checkbox"/> 2301-WT	8w x 16h x 4x*	2-13wLLED (2820 lm)	8 lbs	TPL,REM,SPR
	<input type="checkbox"/> 2302-WT	10w x 20h x 5x	3-13wLLED (4230 lm)	10 lbs	TPL,IEM,SPR
	<input type="checkbox"/> 2303-WT	12w x 24h x 6x	4-13wLLED (5640 lm)	12 lbs	TPL,IEM,SPR
INCANDESCENT	<input type="checkbox"/> 2308-WT	8w x 16h x 4x*	2-60wA (1600 lm)	6 lbs	WLM
	<input type="checkbox"/> 2310-WT	10w x 20h x 5x	3-60wA (2400 lm)	8 lbs	WLM
	<input type="checkbox"/> 2312-WT	12w x 24h x 6x	4-60wA (3200 lm)	10 lbs	WLM
FLUORESCENT	<input type="checkbox"/>				

\*ADA Fixture

~Single Circuit Standard Wiring~

DIFFUSER	<input type="checkbox"/> <b>BGA:</b> Beige Alabaster Acrylic	<input type="checkbox"/> <b>GRA:</b> Green Edge Acrylic	<input type="checkbox"/> <b>ECH:</b> Etched*
	<input type="checkbox"/> <b>NHA:</b> Natural Horn Acrylic	<input type="checkbox"/> <b>EGA:</b> Earth Green Acrylic	*Etched option creates a matte, non-glossy finish on one side of the diffuser. (Example: WOA-ECH)
	<input type="checkbox"/> <b>WHA:</b> White Alabaster Acrylic	<input type="checkbox"/> <b>DGA:</b> Deep Gold Acrylic	
	<input type="checkbox"/> <b>HNA:</b> Honey Alabaster Acrylic	<input type="checkbox"/> <b>SOG:</b> Streaked Opal Glass	
	<input type="checkbox"/> <b>WOA:</b> White Opal Acrylic	<input type="checkbox"/> <b>WOG:</b> White Opal Glass	

	SOLID BRASS FINISHES	PAINTED METAL FINISHES	ALUMINUM FINISHES	STAINLESS STEEL FINISHES
METAL FINISH	<input type="checkbox"/> <b>ABB:</b> Antique Brass	<input type="checkbox"/> <b>DGP:</b> Dark Green	<input type="checkbox"/> <b>SAA:</b> Satin Aluminum	<input type="checkbox"/> <b>SSS:</b> Satin
	<input type="checkbox"/> <b>SBB:</b> Satin Brass	<input type="checkbox"/> <b>VGP:</b> Verde Green	<input type="checkbox"/> <b>SNA:</b> Satin Nickel	<input type="checkbox"/> <b>DSS:</b> Distressed
	<input type="checkbox"/> <b>PBB:</b> Polished Brass	<input type="checkbox"/> <b>CGP:</b> Charcoal Gray	<input type="checkbox"/> <b>PAA:</b> Polished Aluminum	<input type="checkbox"/> <b>PSS:</b> Polished
	<input type="checkbox"/> <b>ANB:</b> Antique Nickel	<input type="checkbox"/> <b>MBP:</b> Medium Bronze	<input type="checkbox"/> <b>BBA:</b> Burnished Bronze	<input type="checkbox"/> <b>HSS:</b> Hammered
	<input type="checkbox"/> <b>SNB:</b> Satin Nickel	<input type="checkbox"/> <b>SBP:</b> Satin Black	<input type="checkbox"/> <b>RNA:</b> Red Naval Bronze	<input type="checkbox"/>
	<input type="checkbox"/> <b>PNB:</b> Polished Nickel	<input type="checkbox"/> <b>DBP:</b> Dark Bronze	<input type="checkbox"/> <b>SGA:</b> Satin Gold	<input type="checkbox"/>
	<input type="checkbox"/> <b>AZB:</b> Antique Bronze	<input type="checkbox"/> <b>LBP:</b> Light Bronze	<input type="checkbox"/> <b>SBA:</b> Satin Bronze	<input type="checkbox"/>
	<input type="checkbox"/> <b>SZB:</b> Satin Bronze	<input type="checkbox"/> <b>MGP:</b> Medium Gold	<input type="checkbox"/> <b>ORA:</b> Oil Rubbed Bronze	<input type="checkbox"/>
	<input type="checkbox"/> <b>PZB:</b> Polished Bronze	<input type="checkbox"/> <b>SCP:</b> Sponged Copper	<input type="checkbox"/> <b>SCA:</b> Satin Copper	<input type="checkbox"/>
	<input type="checkbox"/> <b>CSB:</b> Custom Brass*	<input type="checkbox"/> <b>CSP:</b> Custom Paint*	<input type="checkbox"/> <b>CSA:</b> Custom Aluminum*	<input type="checkbox"/>
				<input type="checkbox"/> <b>CSS:</b> Custom SS*

OPTIONS	<input type="checkbox"/> <b>DIM:</b> Dimming Ballast (std)	<input type="checkbox"/> <b>WLM:</b> Wet Location Mounting	<input type="checkbox"/> <b>FUS:</b> Fusing
	<input type="checkbox"/> <b>REM:</b> Remote Emer.Ballast	<input type="checkbox"/> <b>TPL:</b> Top Lens	<input type="checkbox"/> <b>IEM:</b> Integral Emer.Ballast
	<input type="checkbox"/>	<input type="checkbox"/>	<input type="checkbox"/> <b>SPR:</b> Surge Protection
	<input type="checkbox"/>	<input type="checkbox"/>	<input type="checkbox"/>
	<input type="checkbox"/>	<input type="checkbox"/>	<input type="checkbox"/>
	<input type="checkbox"/>	<input type="checkbox"/>	<input type="checkbox"/>