



Whitby

2301-WL~2316-WL

Our Whitby series is a traditional fixture featuring both gothic and colonial motifs. The pendants are especially tall with a distinct curving top hexagonal lens that is meant to resemble the Florence Brunelleschi Cathedral dome in shape and scale. Side ornamentation is both colonial organic and early European gothic. As a complete series, the Whitby line is meant to be a perfect compliment to a wide range of traditional interiors. We offer Whitby in ceiling, wall, pendant, and even hanging lantern versions. The lights come in modular LED as well as screw-in LED versions.

~Whitby Series~

Chandelier:2341-CHT~2373-CHT

Pendant:2301-PT~2316-PT

Ceiling Mount:2304-CT~2317-CT

Wall Lant:2301-WL~2316-WL

S-Pendant:2303-ST~2315-ST

Mounting: Lightsmith fixtures mount to standard 4" octagon electrical boxes unless otherwise specified. All hardware and canopies supplied.

Listing and Warranty: Lightsmith fixtures are Underwriters Laboratories listed and carry a standard three year warranty against defects in materials and labor beginning at date of shipment.



Fixture Specifications

23__-WL

FIXTURE NUMBER
(Example: 2301-WT)

DIFFUSER
(Example: BGA-ECH)

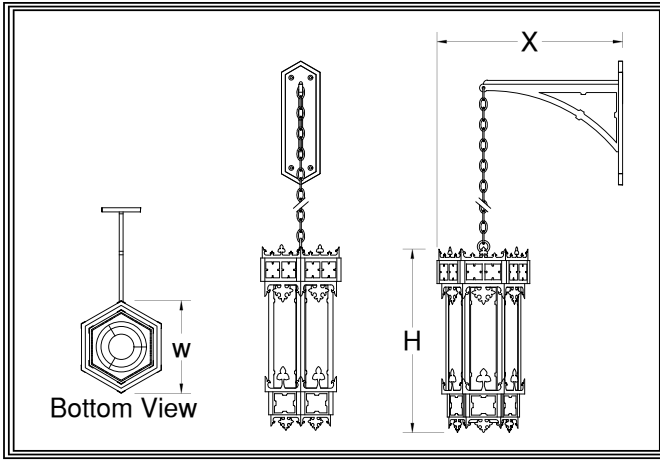
METAL FINISH
(Example: ABB)

VOLTAGE
 (120V)
 (277V)
 (347V)

STEM=S+Lgth
(Example: S-96")
CHAIN=C+Lgth
(Example: C-96")
NR=Not required

OPTIONS
(Example: DIM, REM)

MODIFICATIONS
(Example: Custom Paint)
Use "Notes" Box At Top To Explain Modifications



23__-WL

Fixture Number

Job Type

Job Name

Notes~Modifications

	Fixture Number	Dimensions	Lamping	Weight	Options
LED	<input type="checkbox"/> 2301-WL	12w x 24h x 24x	2-13WL(2820 lm)	16 lbs	TPL,REM,SPR
	<input type="checkbox"/> 2302-WL	14w x 28h x 28x	4-13WL(5640 lm)/1-38WC(5734 lm)	20 lbs	TPL,IEM,SPR
	<input type="checkbox"/> 2303-WL	16w x 32h x 32x	6-13WL(8460 lm)/1-38WC(5734 lm)	32 lbs	TPL,IEM,SPR
INCANDESCENT	<input type="checkbox"/> 2312-WL	12w x 24h x 24x	1-150wA(1200 lm)	14 lbs	WLM
	<input type="checkbox"/> 2314-WL	14w x 28h x 28x	3-75wA(3600 lm)/1-250WP38(3600 lm)	18 lbs	WLM
	<input type="checkbox"/> 2316-WL	16w x 32h x 32x	6-75wA(7200 lm)/1-250WP38(3600 lm)	28 lbs	WLM
FLUORESCENT	<input type="checkbox"/>				

~Two Circuit Standard Wiring~

DIFFUSER	<input type="checkbox"/> BGA: Beige Alabaster Acrylic	<input type="checkbox"/> GRA: Green Edge Acrylic	<input type="checkbox"/> ECH: Etched*
	<input type="checkbox"/> NHA: Natural Horn Acrylic	<input type="checkbox"/> EGA: Earth Green Acrylic	*Etched option creates a matte, non-glossy finish on one side of the diffuser. (Example: WOA-ECH)
	<input type="checkbox"/> WHA: White Alabaster Acrylic	<input type="checkbox"/> DGA: Deep Gold Acrylic	
	<input type="checkbox"/> HNA: Honey Alabaster Acrylic	<input type="checkbox"/> SOG: Streaked Opal Glass	
	<input type="checkbox"/> WOA: White Opal Acrylic	<input type="checkbox"/> WOG: White Opal Glass	

	SOLID BRASS FINISHES	PAINTED METAL FINISHES	ALUMINUM FINISHES	STAINLESS STEEL FINISHES
METAL FINISH	<input type="checkbox"/> ABB: Antique Brass	<input type="checkbox"/> DGP: Dark Green	<input type="checkbox"/> SAA: Satin Aluminum	<input type="checkbox"/> SSS: Satin
	<input type="checkbox"/> SBB: Satin Brass	<input type="checkbox"/> VGP: Verde Green	<input type="checkbox"/> SNA: Satin Nickel	<input type="checkbox"/> DSS: Distressed
	<input type="checkbox"/> PBB: Polished Brass	<input type="checkbox"/> CGP: Charcoal Gray	<input type="checkbox"/> PAA: Polished Aluminum	<input type="checkbox"/> PSS: Polished
	<input type="checkbox"/> ANB: Antique Nickel	<input type="checkbox"/> MBP: Medium Bronze	<input type="checkbox"/> BBA: Burnished Bronze	<input type="checkbox"/> HSS: Hammered
	<input type="checkbox"/> SNB: Satin Nickel	<input type="checkbox"/> SBP: Satin Black	<input type="checkbox"/> RNA: Red Naval Bronze	<input type="checkbox"/>
	<input type="checkbox"/> PNB: Polished Nickel	<input type="checkbox"/> DBP: Dark Bronze	<input type="checkbox"/> SGA: Satin Gold	<input type="checkbox"/>
	<input type="checkbox"/> AZB: Antique Bronze	<input type="checkbox"/> LBP: Light Bronze	<input type="checkbox"/> SBA: Satin Bronze	<input type="checkbox"/>
	<input type="checkbox"/> SZB: Satin Bronze	<input type="checkbox"/> MGP: Medium Gold	<input type="checkbox"/> ORA: Oil Rubbed Bronze	<input type="checkbox"/>
	<input type="checkbox"/> PZB: Polished Bronze	<input type="checkbox"/> SCP: Sponged Copper	<input type="checkbox"/> SCA: Satin Copper	<input type="checkbox"/>
	<input type="checkbox"/> CSB: Custom Brass*	<input type="checkbox"/> CSP: Custom Paint*	<input type="checkbox"/> CSA: Custom Aluminum*	<input type="checkbox"/> CSS: Custom SS*

OPTIONS	<input type="checkbox"/> DIM: Dimming Driver (std)	<input type="checkbox"/> WLM: Wet Location Mounting	<input type="checkbox"/> IEM: Integral Emer.Ballast
	<input type="checkbox"/> REM: Remote Emer.Ballast	<input type="checkbox"/> TPL: Top Lens	<input type="checkbox"/> SPR: Surge Protection
	<input type="checkbox"/>	<input type="checkbox"/>	<input type="checkbox"/>
	<input type="checkbox"/>	<input type="checkbox"/>	<input type="checkbox"/>