



Baylor

2201-PT~2216-PT

Our Baylor fixtures are meant for castles and cathedrals in need of powerful lighting sources that emanate from stunning origins. Maybe it's not enough that these lights are entirely beautiful on their own. You can admire the beauty and hand crafted nature of these units without ever cutting them on. But once they are illuminated, it becomes very obvious what they are about. High lumen up and down lights can completely change darkness to light with the flick of a switch. We offer Baylor in many styles...sconce, ceiling, chandelier, etc. Our modular LED lamping is second to none.

~Baylor Series~

Chandelier:2241-CHT~2272-CHT

Pendant:2201-PT~2216-PT

Ceiling Mt:2204-CT~2216-CT

Wall Mt:2201-WT~2212-WT

S-Pendant:2203-ST~2214-ST

Mounting: Lightsmith fixtures mount to standard 4" octagon electrical boxes unless otherwise specified. All hardware and canopies supplied.

Listing and Warranty: Lightsmith fixtures are Underwriters Laboratories listed and carry a standard three year warranty against defects in materials and labor beginning at date of shipment.



Fixture Specifications

22 -PT
FIXTURE NUMBER
(Example: 2201-PT)

~ **DIFFUSER**
(Example: RDG)

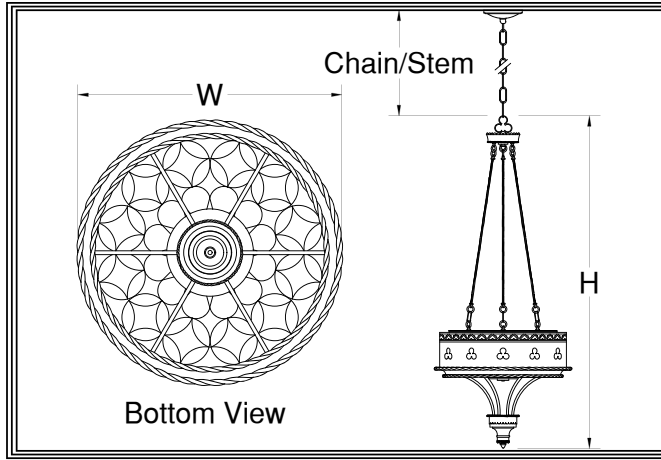
~ **METAL FINISH**
(Example: ABB)

~ **VOLTAGE**
 (120V)
 (277V)
 (347V)

~ **STEM=S+Lgth**
(Example: S-96")
CHAIN=C+Lgth
(Example: C-96")
NR=Not required

~ **OPTIONS**
(Example: DIM, REM)

~ **MODIFICATIONS**
(Example: Custom Paint)
Use "Notes" Box At Top To Explain Modifications



22 -PT
Fixture Number Job Type

Job Name

Notes~Modifications

	Fixture Number	Dimensions	Lamping Up/Dn	Weight	Hooks	Options
LED	<input type="checkbox"/> 2201-PT	24w x 56h	6-13wCLED/6-13wCLED (16920 lm)	38 lbs	3' Std	IEM,REM,SPR**
	<input type="checkbox"/> 2202-PT	28w x 68h	6-23wCLED/6-23wCLED (33480 lm)	48 lbs	6' Std	DLM,DIM
	<input type="checkbox"/> 2203-PT	33w x 79h	6-38wCLED/6-38wCLED (68808 lum)	62 lbs	9' Std	DLM,DIM
	<input type="checkbox"/> 2204-PT	38w x 90h	6-52wLLED/6-52wCLED (112500 lm)	75 lbs	9' Std	DLM,DIM
	<input type="checkbox"/> 2205-PT	57w x 135h	6-83wLLED/6-83wCLED (151164 lm)	110 lbs	12' Std	DLM,DIM
INCANDESCENT	<input type="checkbox"/> 2208-PT	24w x 56h	6-30wP30/6-30wP30 (6200 lm)	32 lbs	3' Std	DLM
	<input type="checkbox"/> 2210-PT	28w x 68h	6-45wP30/6-45wP30 (8200 lm)	42 lbs	6' Std	DLM
	<input type="checkbox"/> 2212-PT	33w x 79h	6-60wP38/6-60wP38 (10800 lm)	52 lbs	9' Std	DLM
	<input type="checkbox"/> 2214-PT	38w x 90h	6-100wP38/6-100wP38 (20880 lm)	62 lbs	9' Std	DLM
	<input type="checkbox"/> 2216-PT	57w x 135h	6-150wP38/6-150wP38 (31320 lm)	95 lbs	12' Std	DLM
FLUORESCENT	<input type="checkbox"/>					

~Two Circuits Standard Wiring~

**All LED Fixtures

DIFFUSER

RDG: Red Glass

BLG: Blue Glass

GRG: Green Glass

AMG: Amber Glass

ECH: Etched*

**Etched option creates a matte, non-glossy finish on one side of the diffuser. (Example: WOA-ECH)*

METAL FINISH

SOLID BRASS FINISHES	PAINTED METAL FINISHES	ALUMINUM FINISHES	STAINLESS STEEL FINISHES
<input type="checkbox"/> ABB: Antique Brass	<input type="checkbox"/> DGP: Dark Green	<input type="checkbox"/> SAA: Satin Aluminum	<input type="checkbox"/> NA
<input type="checkbox"/> SBB: Satin Brass	<input type="checkbox"/> VGP: Verde Green	<input type="checkbox"/> SNA: Satin Nickel	<input type="checkbox"/>
<input type="checkbox"/> PBB: Polished Brass	<input type="checkbox"/> CGP: Charcoal Gray	<input type="checkbox"/> PAA: Polished Aluminum	<input type="checkbox"/>
<input type="checkbox"/> ANB: Antique Nickel	<input type="checkbox"/> MBP: Medium Bronze	<input type="checkbox"/> BBA: Burnished Bronze	<input type="checkbox"/>
<input type="checkbox"/> SNB: Satin Nickel	<input type="checkbox"/> SBP: Satin Black	<input type="checkbox"/> RNA: Red Naval Bronze	<input type="checkbox"/>
<input type="checkbox"/> PNB: Polished Nickel	<input type="checkbox"/> DBP: Dark Bronze	<input type="checkbox"/> SGA: Satin Gold	<input type="checkbox"/>
<input type="checkbox"/> AZB: Antique Bronze	<input type="checkbox"/> LBP: Light Bronze	<input type="checkbox"/> SBA: Satin Bronze	<input type="checkbox"/>
<input type="checkbox"/> SZB: Satin Bronze	<input type="checkbox"/> MGP: Medium Gold	<input type="checkbox"/> ORA: Oil Rubbed Bronze	<input type="checkbox"/>
<input type="checkbox"/> PZB: Polished Bronze	<input type="checkbox"/> SCP: Sponged Copper	<input type="checkbox"/> SCA: Satin Copper	<input type="checkbox"/>
<input type="checkbox"/> CSB: Custom Brass*	<input type="checkbox"/> CSP: Custom Paint*	<input type="checkbox"/> CSA: Custom Aluminum*	<input type="checkbox"/>

OPTIONS

IEM: Integral emer driver

REM: Remote emer driver

DLM: Damp location mtg

DIM: Dimming driver (std)

SPR: Surge protector