



Wilcox

2001-PT~2017-PT

Our Wilcox fixtures are exacting copies of a timeless NL Lighting design. They are gorgeous colonial lanterns and sconces. Just right for traditional church interiors. The pendants feature a curving six-sided strap crown and a scalloped band filigree at top. Cascading spun metal caps secure the arched straps. There is a smooth colonial upper arch and a thick cast "sign of the fish" bottom casting below. We offer Wilcox with amazing lamping and finish options. Our LEDs are the most powerful you will find anywhere. And we ship real opal glass in these lights. NL would be proud.

~Wilcox Series~

Chandelier:2041-CHT~2073-CHT

Pendant:2001-PT~2017-PT

Ceiling Mt:2004-CT~2017-CT

Wall Mt:2001-WT~2013-WT

S-Pendant:2003-ST~2015-ST

Mounting: Lightsmith fixtures mount to standard 4" octagon electrical boxes unless otherwise specified. All hardware and canopies supplied.

Listing and Warranty: Lightsmith fixtures are Underwriters Laboratories listed and carry a standard three year warranty against defects in materials and labor beginning at date of shipment.



Fixture Specifications

20 -PT
FIXTURE NUMBER
(Example: 2001-PT)

~ **DIFFUSER**
(Example: WOG)

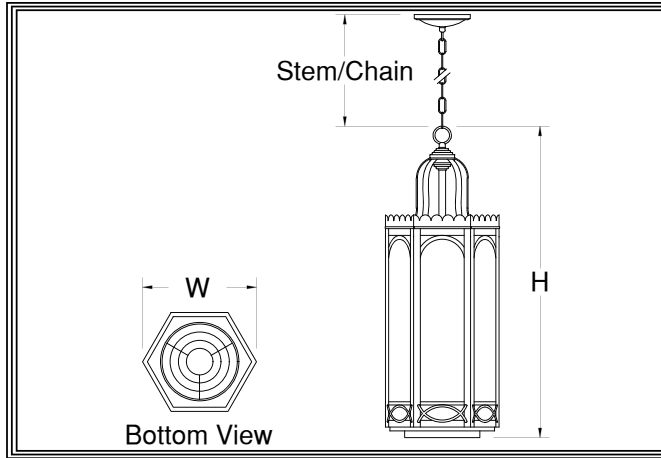
~ **METAL FINISH**
(Example: ABB)

~ **VOLTAGE**
 (120V)
 (277V)
 (347V)

~ **STEM=**S+Lgth
(Example: S-96")
CHAIN=C+Lgth
(Example: C-96")
NR=Not required

~ **OPTIONS**
(Example: DIM, REM)

~ **MODIFICATIONS**
(Example: Custom Paint)
Use "Notes" Box At Top To Explain Modifications



20 -PT
Fixture Number Job Type

Job Name

Notes~Modifications

	Fixture Number	Dimensions	Lamping	Weight	Stem/Chain	Options
LED	<input type="checkbox"/> 2001-PT	10w x 28h	2-13wLLED (3020 lumens)	14 lbs	3' Std	DALI, REM, FUS**
	<input type="checkbox"/> 2002-PT	12w x 35h	4-13wLLED/1-38wCLED (10595 lumens)	16 lbs	6' Std	L423, L623
	<input type="checkbox"/> 2003-PT	14w x 37h	6-13wLLED/1-38wCLED (13615 lumens)	20 lbs	9' Std	L423, L623, L311
	<input type="checkbox"/> 2004-PT	16w x 41h	12-13wLLED/1-52wCLED (28970 lumens)	27 lbs	9' Std	L623, L823, L611
	<input type="checkbox"/> 2005-PT	18w x 48h	18-13wLLED/1-52wCLED (33500 lumens)	33 lbs	12' Std	L623, L823, L611
INCANDESCENT	<input type="checkbox"/> 2008-PT	10w x 28h	1-150wA (2600 lumens)	12 lbs	3' Std	N250
	<input type="checkbox"/> 2010-PT	12w x 35h	3-75wA/1-250wP38 (6700 lumens)	14 lbs	6' Std	N300
	<input type="checkbox"/> 2012-PT	14w x 37h	6-75wA/1-250wP38 (10300 lumens)	18 lbs	9' Std	N300
	<input type="checkbox"/> 2014-PT	16w x 41h	6-75wA/1-500wR40 (13700 lumens)	22 lbs	9' Std	N500
	<input type="checkbox"/> 2016-PT	18w x 48h	9-75wA/1-500wR40 (17300 lumens)	29 lbs	12' Std	N500
FLUORESCENT	<input type="checkbox"/> 2009-PT	10w x 28h	1-42wCFT (3200 lumens)	13 lbs	3' Std	DIM, IEM, FUS*
	<input type="checkbox"/> 2011-PT	12w x 35h	2-42wCFT/2-42wCFTdn (12800 lumens)	15 lbs	6' Std	L311
	<input type="checkbox"/> 2013-PT	14w x 37h	4-42wCFT/2-42wCFTdn (19200 lumens)	19 lbs	9' Std	L311
	<input type="checkbox"/> 2015-PT	16w x 41h	6-FT40w/4-42wCFTdn (32600 lumens)	26 lbs	9' Std	L611
	<input type="checkbox"/> 2017-PT	18w x 48h	6-FT50w/4-42wCFTdn (38600 lumens)	31 lbs	12' Std	L611

*All Fluorescent Fixtures
**All LED Fixtures

DIFFUSER	<input type="checkbox"/> BGA: Beige Alabaster Acrylic	<input type="checkbox"/> GRA: Green Edge Acrylic	<input type="checkbox"/> ECH: Etched*
	<input type="checkbox"/> NHA: Natural Horn Acrylic	<input type="checkbox"/> EGA: Earth Green Acrylic	*Etched option creates a matte, non-glossy finish on one side of the diffuser. (Example: WOA-ECH)
	<input type="checkbox"/> WHA: White Alabaster Acrylic	<input type="checkbox"/> DGA: Deep Gold Acrylic	
	<input type="checkbox"/> HNA: Honey Alabaster Acrylic	<input type="checkbox"/> SOG: Streaked Opal Glass	
	<input type="checkbox"/> WOA: White Opal Acrylic	<input type="checkbox"/> WOG: White Opal Glass	

	SOLID BRASS FINISHES	PAINTED METAL FINISHES	ALUMINUM FINISHES	STAINLESS STEEL FINISHES
METAL FINISH	<input type="checkbox"/> ABB: Antique Brass	<input type="checkbox"/> DGP: Dark Green	<input type="checkbox"/> SAA: Satin Aluminum	<input type="checkbox"/> SSS: Satin
	<input type="checkbox"/> SBB: Satin Brass	<input type="checkbox"/> VGP: Verde Green	<input type="checkbox"/> SNA: Satin Nickel	<input type="checkbox"/> DSS: Distressed
	<input type="checkbox"/> PBB: Polished Brass	<input type="checkbox"/> CGP: Charcoal Gray	<input type="checkbox"/> PAA: Polished Aluminum	<input type="checkbox"/> PSS: Polished
	<input type="checkbox"/> ANB: Antique Nickel	<input type="checkbox"/> MBP: Medium Bronze	<input type="checkbox"/> BBA: Burnished Bronze	<input type="checkbox"/> HSS: Hammered
	<input type="checkbox"/> SNB: Satin Nickel	<input type="checkbox"/> SBP: Satin Black	<input type="checkbox"/> RNA: Red Naval Bronze	<input type="checkbox"/>
	<input type="checkbox"/> PNB: Polished Nickel	<input type="checkbox"/> DBP: Dark Bronze	<input type="checkbox"/> SGA: Satin Gold	<input type="checkbox"/>
	<input type="checkbox"/> AZB: Antique Bronze	<input type="checkbox"/> LBP: Light Bronze	<input type="checkbox"/> SBA: Satin Bronze	<input type="checkbox"/>
	<input type="checkbox"/> SZB: Satin Bronze	<input type="checkbox"/> MGP: Medium Gold	<input type="checkbox"/> ORA: Oil Rubbed Bronze	<input type="checkbox"/>
	<input type="checkbox"/> PZB: Polished Bronze	<input type="checkbox"/> SCP: Sponged Copper	<input type="checkbox"/> SCA: Satin Copper	<input type="checkbox"/>
	<input type="checkbox"/> CSB: Custom Brass*	<input type="checkbox"/> CSP: Custom Paint*	<input type="checkbox"/> CSA: Custom Aluminum*	<input type="checkbox"/> CSS: Custom SS*

OPTIONS	<input type="checkbox"/> N250: 250wPar38 Downlight	<input type="checkbox"/> L311: 3-11wCLED Uplight	<input type="checkbox"/> FUS: Fusing
	<input type="checkbox"/> N300: 300wPar56 Downlight	<input type="checkbox"/> L611: 6-11wCLED Uplight	<input type="checkbox"/> IEM: Integral Emer.Ballast
	<input type="checkbox"/> N500: 500wPar56 Downlight	<input type="checkbox"/> L423: 4-23wCLED Downlight	<input type="checkbox"/> DALI: Dali dimming LED
	<input type="checkbox"/> DIM: Dimming Ballast	<input type="checkbox"/> L623: 6-23wCLED Downlight	<input type="checkbox"/>
	<input type="checkbox"/> REM: Remote Emer.Ballast	<input type="checkbox"/> L823: 8-23wCLED Downlight	<input type="checkbox"/>