



Buckingham

201-WT~213-WT

Our Buckingham fixtures go well in colonial and contemporary churches. Their flowing strap crowns at top and optional opal glass panes are reminiscent of lanterns made at the turn of last century...and a little before. We put a unique cross at bottom to blend a touch of 1960's flavor into the lights. And the pyramid knobs at base sandwich the mixture of time periods. These lights come in a myriad of finishes. We show solid antique brass, but our deep bronze and gold finishes are to die for. Take advantage of our LED lamping options. Just right for high ceilings...relamp every 20 years.

~Buckingham Series~

- Chandelier: 241-CHT~273-CHT
- Pendant: 201-PT~217-PT
- Ceiling Mount: 204-CT~217-CT
- Wall Mount: 201-WT~213-WT
- S-Pendant: 203-ST~215-ST

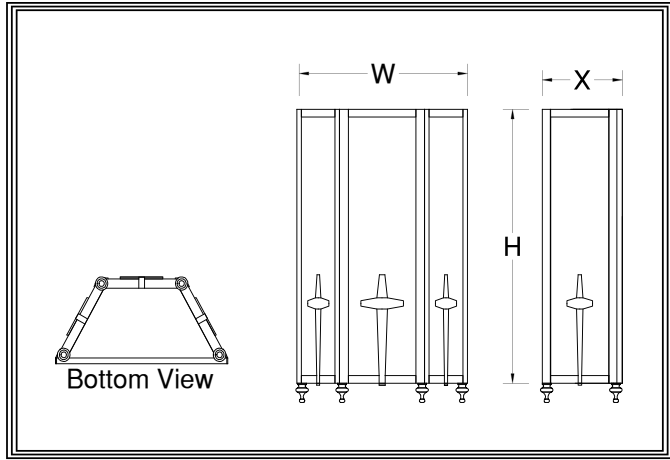
Mounting: Lightsmith fixtures mount to standard 4" octagon electrical boxes unless otherwise specified. All hardware and canopies supplied.

Listing and Warranty: Lightsmith fixtures are Underwriters Laboratories listed and carry a standard three year warranty against defects in materials and labor beginning at date of shipment.



Fixture Specifications

2__-WT <small>FIXTURE NUMBER (Example: 208-WT)</small>	~	<small>DIFFUSER (Example: BGA-ECH)</small>	~	<small>METAL FINISH (Example: ABB)</small>	~	<small>VOLTAGE</small> <input type="checkbox"/> (120V) <input type="checkbox"/> (277V) <input type="checkbox"/> (347V)	~	NR <small>STEM=S+Lgth (Example: S-96") CHAIN=C+Lgth (Example: C-96") NR=Not required</small>	~	<small>OPTIONS (Example: DIM, REM)</small>	~	<small>MODIFICATIONS (Example: Custom Paint) Use "Notes" Box At Top To Explain Modifications</small>
--	---	--	---	--	---	---	---	--	---	--	---	---



2__-WT <small>Fixture Number</small>	
<small>Job Type</small>	
<small>Job Name</small>	
<small>Notes~Modifications</small>	

	Fixture Number	Dimensions	Lamping	Weight	Options
LED	<input type="checkbox"/> 201-WT	8w x 14h x 4x*	2-13wLLED	5 lbs	WLM,TPL
	<input type="checkbox"/> 202-WT	10w x 16h x 5x	3-13wLLED	7 lbs	WLM,TPL,IEM
	<input type="checkbox"/> 203-WT	12w x 20h x 6x	4-13wLLED	9 lbs	WLM,TPL,IEM DALI,REM,FUS** C,G**
INCANDESCENT	<input type="checkbox"/> 208-WT	8w x 14h x 4x*	2-60wA	3 lbs	WLM,C,G
	<input type="checkbox"/> 210-WT	10w x 16h x 5x	3-60wA	5 lbs	WLM,C,G
	<input type="checkbox"/> 212-WT	12w x 20h x 6x	4-60wA	7 lbs	WLM,C,G
FLUORESCENT	<input type="checkbox"/> 209-WT	8w x 14h x 4x*	2-18wCFQ	4 lbs	WLM,TPL
	<input type="checkbox"/> 211-WT	10w x 16h x 5x	2-26wCFQ	6 lbs	WLM,TPL,IEM
	<input type="checkbox"/> 213-WT	12w x 20h x 6x	2-FT36w	8 lbs	WLM,TPL,IEM DIM,REM,FUS* C,G*

*ADA Fixture

~Single Circuit Standard Wiring~

*All Fluorescent Fixtures
**All LED Fixtures

	DIFFUSER
DIFFUSER	<input type="checkbox"/> BGA: Beige Alabaster Acrylic
	<input type="checkbox"/> NHA: Natural Horn Acrylic
	<input type="checkbox"/> WHA: White Alabaster Acrylic
	<input type="checkbox"/> HNA: Honey Alabaster Acrylic
	<input type="checkbox"/> WOA: White Opal Acrylic
	<input type="checkbox"/> ECH: Etched*

*Etched option creates a matte, non-glossy finish on one side of the diffuser. (Example: WOA-ECH)

	SOLID BRASS FINISHES	PAINTED METAL FINISHES	ALUMINUM FINISHES	STAINLESS STEEL FINISHES
METAL FINISH	<input type="checkbox"/> ABB: Antique Brass	<input type="checkbox"/> DGP: Dark Green	<input type="checkbox"/> SAA: Satin Aluminum	<input type="checkbox"/> SSS: Satin
	<input type="checkbox"/> SBB: Satin Brass	<input type="checkbox"/> VGP: Verde Green	<input type="checkbox"/> SNA: Satin Nickel	<input type="checkbox"/> DSS: Distressed
	<input type="checkbox"/> PBB: Polished Brass	<input type="checkbox"/> CGP: Charcoal Gray	<input type="checkbox"/> PAA: Polished Aluminum	<input type="checkbox"/> PSS: Polished
	<input type="checkbox"/> ANB: Antique Nickel	<input type="checkbox"/> MBP: Medium Bronze	<input type="checkbox"/> BBA: Burnished Bronze	<input type="checkbox"/> HSS: Hammered
	<input type="checkbox"/> SNB: Satin Nickel	<input type="checkbox"/> SBP: Satin Black	<input type="checkbox"/> RNA: Red Naval Bronze	<input type="checkbox"/>
	<input type="checkbox"/> PNB: Polished Nickel	<input type="checkbox"/> DBP: Dark Bronze	<input type="checkbox"/> SGA: Satin Gold	<input type="checkbox"/>
	<input type="checkbox"/> AZB: Antique Bronze	<input type="checkbox"/> LBP: Light Bronze	<input type="checkbox"/> SBA: Satin Bronze	<input type="checkbox"/>
	<input type="checkbox"/> SZB: Satin Bronze	<input type="checkbox"/> MGP: Medium Gold	<input type="checkbox"/> ORA: Oil Rubbed Bronze	<input type="checkbox"/>
	<input type="checkbox"/> PZB: Polished Bronze	<input type="checkbox"/> SCP: Sponged Copper	<input type="checkbox"/> SCA: Satin Copper	<input type="checkbox"/>
	<input type="checkbox"/> CSB: Custom Brass*	<input type="checkbox"/> CSP: Custom Paint*	<input type="checkbox"/> CSA: Custom Aluminum*	<input type="checkbox"/>
	<input type="checkbox"/>			<input type="checkbox"/> CSS: Custom SS*
	<input type="checkbox"/>			<input type="checkbox"/>
	<input type="checkbox"/>			<input type="checkbox"/>
	<input type="checkbox"/>			<input type="checkbox"/>

	OPTIONS
OPTIONS	<input type="checkbox"/> DIM: Dimming Ballast
	<input type="checkbox"/> REM: Remote Emer. Ballast
	<input type="checkbox"/>
	<input type="checkbox"/>
	<input type="checkbox"/>
	<input type="checkbox"/>
	<input type="checkbox"/>
<input type="checkbox"/>	<input type="checkbox"/> WLM: Wet Location Mounting
<input type="checkbox"/>	<input type="checkbox"/> TPL: Top Lens
<input type="checkbox"/>	<input type="checkbox"/> C: "C" Arch Option
<input type="checkbox"/>	<input type="checkbox"/> G: "G" Arch Option
<input type="checkbox"/>	<input type="checkbox"/>
<input type="checkbox"/>	<input type="checkbox"/> FUS: Fusing
<input type="checkbox"/>	<input type="checkbox"/> IEM: Integral Emer. Ballast
<input type="checkbox"/>	<input type="checkbox"/> DALI: Dali dimming LED
<input type="checkbox"/>	<input type="checkbox"/>