



Bannister

1901-PT~1917-PT

Our Bannister fixtures are made the way a blacksmith would have made them back in the early 20's. We still hand hammer the leaves at bottom, and forge them onto the brass twigs that hold them. And we still pour the tassels at bottom using old-style lost wax casting. And we still bend the glass panels to fit the cylinder profile just like they were made a hundred years ago before there was acrylic. There's a lot of "stills" in the construction of our Bannister fixtures. But our lamping options aren't one of them. If you want these lights to last 50,000 hours...order our LEDs. Big difference!!!

~Bannister Series~

Chandelier:1941-CHT~1973-CHT

Pendant:1901-PT~1917-PT

Ceiling Mt.:1904-CT~1917-CT

Wall Mt.:1901-WT~1913-WT

S-Pendant:1903-ST~1915-ST

Mounting: Lightsmith fixtures mount to standard 4" octagon electrical boxes unless otherwise specified. All hardware and canopies supplied.

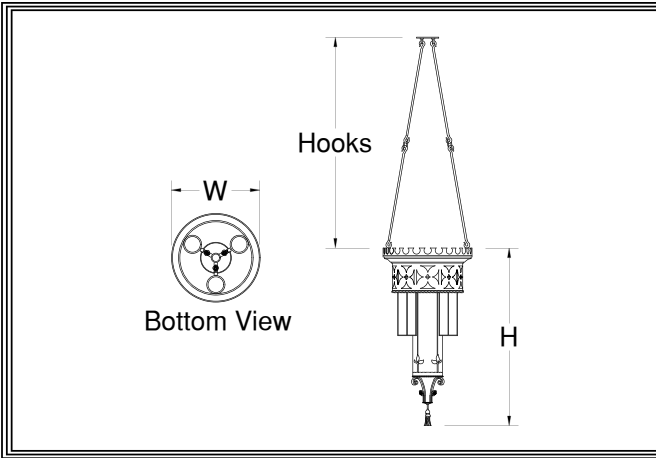
Listing and Warranty: Lightsmith fixtures are Underwriters Laboratories listed and carry a standard three year warranty against defects in materials and labor beginning at date of shipment.



Fixture Specifications

19 -PT ~ [] ~ [] ~ [] ~ [] ~ [] ~ []

FIXTURE NUMBER (Example: 1901-PT) ~ DIFFUSER (Example: BGA-ECH) ~ METAL FINISH (Example: ABB) ~ VOLTAGE (120V, 277V, 347V) ~ STEM=S+Lgth (Example: S-96"), CHAIN=C+Lgth (Example: C-96"), NR=Not required ~ OPTIONS (Example: DIM, REM) ~ MODIFICATIONS (Example: Custom Paint*) Use "Notes" Box At Top To Explain Modifications



19 -PT []
 Fixture Number Job Type

[]
 Job Name

[]
 Notes~Modifications

	Fixture Number	Dimensions	Lamping	Weight	Hooks	Options
LED	<input type="checkbox"/> 1901-PT	15w x 30h	3-11wCLED/1-13wCLED	29 lbs	3' Std	DALI,REM,FUS**
	<input type="checkbox"/> 1902-PT	18w x 36h	4-13wCLED/1-23wCLED	37 lbs	6' Std	L423,L623
	<input type="checkbox"/> 1903-PT	21w x 42h	4-23wCLED/1-31wCLED	48 lbs	9' Std	L423,L623,L311
	<input type="checkbox"/> 1904-PT	24w x 48h	6-13wLLED/1-38wCLED	58 lbs	9' Std	L623,L823,L611
	<input type="checkbox"/> 1905-PT	36w x 72h	9-23wLLED/1-52wCLED	85 lbs	12' Std	L623,L823,L611
INCANDESCENT	<input type="checkbox"/> 1908-PT	15w x 30h	3-60wA/1-100wA	25 lbs	3' Std	N250
	<input type="checkbox"/> 1910-PT	18w x 36h	4-75wA/1-100wP30	32 lbs	6' Std	N300
	<input type="checkbox"/> 1912-PT	21w x 42h	4-100wA/1-150wP38	40 lbs	9' Std	N300
	<input type="checkbox"/> 1914-PT	24w x 48h	6-75wA/1-250wP38	48 lbs	9' Std	N500
	<input type="checkbox"/> 1916-PT	36w x 72h	9-100wA/1-500wR40	73 lbs	12' Std	N500
FLUORESCENT	<input type="checkbox"/> 1909-PT	15w x 30h	3-18wCFT/1-32wCFT	28 lbs	3' Std	DIM,IEM,FUS*
	<input type="checkbox"/> 1911-PT	18w x 36h	4-26wCFT/1-32wCFTdn	35 lbs	6' Std	L311
	<input type="checkbox"/> 1913-PT	21w x 42h	4-32wCFT/1-42wCFTdn	45 lbs	9' Std	L311
	<input type="checkbox"/> 1915-PT	24w x 48h	6-26wCFT/2-32wCFTdn	55 lbs	9' Std	L611
	<input type="checkbox"/> 1917-PT	36w x 72h	9-32wCFT/2-42wCFTdn	81 lbs	12' Std	L611

*All Fluorescent Fixtures
 **All LED Fixtures

DIFFUSER	<input type="checkbox"/> BGA: Beige Alabaster Acrylic	<input type="checkbox"/> GRA: Green Edge Acrylic	<input type="checkbox"/> ECH: Etched*
	<input type="checkbox"/> NHA: Natural Horn Acrylic	<input type="checkbox"/> EGA: Earth Green Acrylic	*Etched option creates a matte, non-glossy finish on one side of the diffuser. (Example: WOA-ECH)
	<input type="checkbox"/> WHA: White Alabaster Acrylic	<input type="checkbox"/> DGA: Deep Gold Acrylic	
	<input type="checkbox"/> HNA: Honey Alabaster Acrylic	<input type="checkbox"/> SOG: Streaked Opal Glass	
	<input type="checkbox"/> WOA: White Opal Acrylic	<input type="checkbox"/> WOG: White Opal Glass	

	SOLID BRASS FINISHES	PAINTED METAL FINISHES	ALUMINUM FINISHES	STAINLESS STEEL FINISHES
METAL FINISH	<input type="checkbox"/> ABB: Antique Brass	<input type="checkbox"/> DGP: Dark Green	<input type="checkbox"/> SAA: Satin Aluminum	<input type="checkbox"/> SSS: Satin
	<input type="checkbox"/> SBB: Satin Brass	<input type="checkbox"/> VGP: Verde Green	<input type="checkbox"/> SNA: Satin Nickel	<input type="checkbox"/> DSS: Distressed
	<input type="checkbox"/> PBB: Polished Brass	<input type="checkbox"/> CGP: Charcoal Gray	<input type="checkbox"/> PAA: Polished Aluminum	<input type="checkbox"/> PSS: Polished
	<input type="checkbox"/> ANB: Antique Nickel	<input type="checkbox"/> MBP: Medium Bronze	<input type="checkbox"/> BBA: Burnished Bronze	<input type="checkbox"/> HSS: Hammered
	<input type="checkbox"/> SNB: Satin Nickel	<input type="checkbox"/> SBP: Satin Black	<input type="checkbox"/> RNA: Red Naval Bronze	<input type="checkbox"/>
	<input type="checkbox"/> PNB: Polished Nickel	<input type="checkbox"/> DBP: Dark Bronze	<input type="checkbox"/> SGA: Satin Gold	<input type="checkbox"/>
	<input type="checkbox"/> AZB: Antique Bronze	<input type="checkbox"/> LBP: Light Bronze	<input type="checkbox"/> SBA: Satin Bronze	<input type="checkbox"/>
	<input type="checkbox"/> SZB: Satin Bronze	<input type="checkbox"/> MGP: Medium Gold	<input type="checkbox"/> ORA: Oil Rubbed Bronze	<input type="checkbox"/>
	<input type="checkbox"/> PZB: Polished Bronze	<input type="checkbox"/> SCP: Sponged Copper	<input type="checkbox"/> SCA: Satin Copper	<input type="checkbox"/>
	<input type="checkbox"/> CSB: Custom Brass*	<input type="checkbox"/> CSP: Custom Paint*	<input type="checkbox"/> CSA: Custom Aluminum*	<input type="checkbox"/>
	<input type="checkbox"/>			<input type="checkbox"/> CSS: Custom SS*
	<input type="checkbox"/>			<input type="checkbox"/>
	<input type="checkbox"/>			<input type="checkbox"/>
	<input type="checkbox"/>			<input type="checkbox"/>

OPTIONS	<input type="checkbox"/> N250: 250wPar38 Downlight	<input type="checkbox"/> L311: 3-11wCLED Uplight	<input type="checkbox"/> FUS: Fusing
	<input type="checkbox"/> N300: 300wPar56 Downlight	<input type="checkbox"/> L611: 6-11wCLED Uplight	<input type="checkbox"/> IEM: Integral Emer.Ballast
	<input type="checkbox"/> N500: 500wPar56 Downlight	<input type="checkbox"/> L423: 4-23wCLED Downlight	<input type="checkbox"/> DALI: Dali dimming LED
	<input type="checkbox"/> DIM: Dimming Ballast	<input type="checkbox"/> L623: 6-23wCLED Downlight	<input type="checkbox"/>
	<input type="checkbox"/> REM: Remote Emer.Ballast	<input type="checkbox"/> L823: 8-23wCLED Downlight	<input type="checkbox"/>
	<input type="checkbox"/>		<input type="checkbox"/>