



Port Royal

1204-CT~1217-CT

Our Port Royal fixtures are a union of Christian elements. The bottom cross is easily recognizable, but the three arches at top of the castings have deeper meanings in Crucifixion and Trinity symbolisms. We make these fixtures for a variety of churches and they always seem to fit perfectly in the sanctuary. The lights are extremely bright with deep meanings being projected through each of the side panels. Our lamping options, especially our LED lighting will offer you many years of maintenance free service. And metal/diffuser choices will complement any room.

~Port Royal Series~

Chandelier:1241-CHT~1273-CHT

Pendant:1201-PT~1217-PT

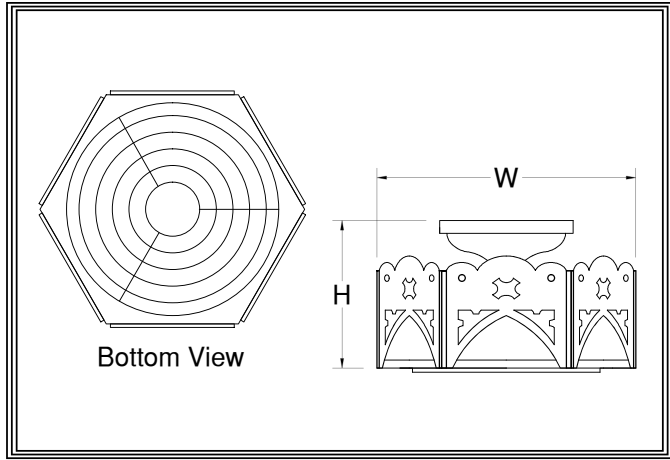
Ceiling Mount:1204-CT~1217-CT

Wall Mount:1201-WT~1213-WT

S-Pendant:1203-ST~1215-ST

Mounting: Lightsmith fixtures mount to standard 4" octagon electrical boxes unless otherwise specified. All hardware and canopies supplied.

Listing and Warranty: Lightsmith fixtures are Underwriters Laboratories listed and carry a standard three year warranty against defects in materials and labor beginning at date of shipment.



12__-CT

Fixture Number Job Type

Job Name

Notes~Modifications

	Fixture Number	Dimensions	Lamping	Weight	Options
LED	<input type="checkbox"/> 1204-CT	14w x 10h	3-11wCLED	9 lbs	DALI,REM,FUS** L123
	<input type="checkbox"/> 1205-CT	16w x 10h	3-13wCLED	11 lbs	
INCANDESCENT	<input type="checkbox"/> 1214-CT	14w x 10h	3-60wA	6 lbs	N75 N100
	<input type="checkbox"/> 1216-CT	16w x 10h	3-75wA	8 lbs	
FLUORESCENT	<input type="checkbox"/> 1215-CT	14w x 10h	2-26wCFT	8 lbs	DIM,REM,FUS*
	<input type="checkbox"/> 1217-CT	16w x 10h	2-32wCFT	10 lbs	

~Single Circuit Standard Wiring~

*All Fluorescent Fixtures
**All LED Fixtures

	DIFFUSER
DIFFUSER	<input type="checkbox"/> BGA: Beige Alabaster Acrylic
	<input type="checkbox"/> NHA: Natural Horn Acrylic
	<input type="checkbox"/> WHA: White Alabaster Acrylic
	<input type="checkbox"/> HNA: Honey Alabaster Acrylic
	<input type="checkbox"/> WOA: White Opal Acrylic
	<input type="checkbox"/> GRA: Green Edge Acrylic
DIFFUSER	<input type="checkbox"/> EGA: Earth Green Acrylic
	<input type="checkbox"/> DGA: Deep Gold Acrylic
	<input type="checkbox"/> SGO: Streaked Opal Glass
DIFFUSER	<input type="checkbox"/> WOG: White Opal Glass
	<input type="checkbox"/> ECH: Etched*

*Etched option creates a matte, non-glossy finish on one side of the diffuser. (Example:WOA-ECH)

	SOLID BRASS FINISHES	PAINTED METAL FINISHES	ALUMINUM FINISHES	STAINLESS STEEL FINISHES
METAL FINISH	<input type="checkbox"/> ABB: Antique Brass	<input type="checkbox"/> DGP: Dark Green	<input type="checkbox"/> SAA: Satin Aluminum	<input type="checkbox"/> SSS: Satin
	<input type="checkbox"/> SBB: Satin Brass	<input type="checkbox"/> VGP: Verde Green	<input type="checkbox"/> SNA: Satin Nickel	<input type="checkbox"/> DSS: Distressed
	<input type="checkbox"/> PBB: Polished Brass	<input type="checkbox"/> CGP: Charcoal Gray	<input type="checkbox"/> PAA: Polished Aluminum	<input type="checkbox"/> PSS: Polished
	<input type="checkbox"/> ANB: Antique Nickel	<input type="checkbox"/> MBP: Medium Bronze	<input type="checkbox"/> BBA: Burnished Bronze	<input type="checkbox"/> HSS: Hammered
	<input type="checkbox"/> SNB: Satin Nickel	<input type="checkbox"/> SBP: Satin Black	<input type="checkbox"/> RNA: Red Naval Bronze	<input type="checkbox"/>
	<input type="checkbox"/> PNB: Polished Nickel	<input type="checkbox"/> DBP: Dark Bronze	<input type="checkbox"/> SGA: Satin Gold	<input type="checkbox"/>
	<input type="checkbox"/> AZB: Antique Bronze	<input type="checkbox"/> LBP: Light Bronze	<input type="checkbox"/> SBA: Satin Bronze	<input type="checkbox"/>
	<input type="checkbox"/> SZB: Satin Bronze	<input type="checkbox"/> MGP: Medium Gold	<input type="checkbox"/> ORA: Oil Rubbed Bronze	<input type="checkbox"/>
	<input type="checkbox"/> PZB: Polished Bronze	<input type="checkbox"/> SCP: Sponged Copper	<input type="checkbox"/> SCA: Satin Copper	<input type="checkbox"/>
	<input type="checkbox"/> CSB: Custom Brass*	<input type="checkbox"/> CSP: Custom Paint*	<input type="checkbox"/> CSA: Custom Aluminum*	<input type="checkbox"/>
				<input type="checkbox"/> CSS: Custom SS*

	OPTIONS
OPTIONS	<input type="checkbox"/> N75: 75wPar30 Downlight
	<input type="checkbox"/> N100: 100wPar30 Downlight
	<input type="checkbox"/> DIM: Dimming Ballast
	<input type="checkbox"/> REM: Remote Emer.Ballast
	<input type="checkbox"/> L123: 1-23wCLED Downlight
	<input type="checkbox"/> FUS: Fusing
	<input type="checkbox"/> DALI: Dali dimming LED

Fixture Specifications

12__-CT ~ ~ ~ ~ ~ ~ ~ ~

FIXTURE NUMBER (Example: 1204-CT) ~
 DIFFUSER (Example: BGA-ECH) ~
 WOOD FINISH (Example: MOK) ~
 METAL FINISH (Example: ABB) ~
 VOLTAGE (120V, 277V, 347V) ~
 NR (STEM=S+Lgth, CHAIN=C+Lgth, NR=Not required) ~
 OPTIONS (Example: DIM, REM) ~
 MODIFICATIONS (Example: Custom Paint) Use "Notes" Box At Top To Explain Modifications