



Middleton

10101-PT~10117-PT

Our Middleton fixtures are just completely ornate gothic church lanterns and sconces. They feature thick, richly detailed metal castings that are right out of the best of historic European cathedral stone work. The result is an astonishing work of art. Fixtures such as these are few and far between and feature many choices of metal types and finishes, as well as an array of glass or acrylic diffuser lenses. The lights may be ordered in solid brass and then polished or antiqued, or solid aluminum and then satin finished, etc. Please consider our LED options. Long life clusters will be good friends.

~Middleton Series~

- Chand:10141-CHT~10173-CHT
- Pendant:10101-PT~10117-PT
- Ceiling Mt:10104-CT~10117-CT
- Wall Mt:10101-WT~10113-WT
- S-Pendant:10103-ST~10115-ST

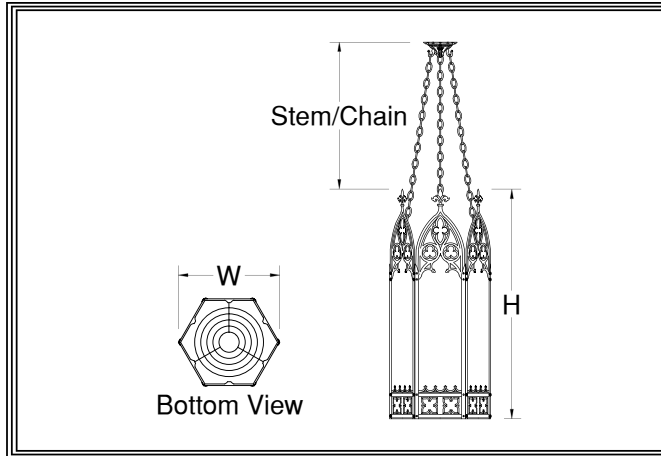
Mounting: Lightsmith fixtures mount to standard 4" octagon electrical boxes unless otherwise specified. All hardware and canopies supplied.

Listing and Warranty: Lightsmith fixtures are Underwriters Laboratories listed and carry a standard three year warranty against defects in materials and labor beginning at date of shipment.



Fixture Specifications

101__-PT	~	~	~	~	~	~
FIXTURE NUMBER (Example: 10101-PT)		DIFFUSER (Example: BGA-ECH)		METAL FINISH (Example: ABB)		OPTIONS (Example: DIM, REM)
			VOLTAGE <input type="checkbox"/> (120V) <input type="checkbox"/> (277V) <input type="checkbox"/> (347V)		STEM=S+Lgth (Example: S-96") CHAIN=C+Lgth (Example: C-96") NR=Not required	MODIFICATIONS (Example: Custom Paint) Use "Notes" Box At Top To Explain Modifications



101__-PT	
Fixture Number	Job Type
Job Name	
Notes~Modifications	

	Fixture Number	Dimensions	Lamping	Weight	Stem/Chain	Options
LED	<input type="checkbox"/> 10101-PT	10w x 18h	2-13wLLED	25 lbs	3' Std	DALI,REM,FUS**
	<input type="checkbox"/> 10102-PT	12w x 23h	4-13wLLED/1-38wCLED	28 lbs	6' Std	L423,L623
	<input type="checkbox"/> 10103-PT	12w x 28h	6-13wLLED/1-38wCLED	35 lbs	9' Std	L423,L623,L311
	<input type="checkbox"/> 10104-PT	14w x 33h	12-13wLLED/1-52wCLED	40 lbs	9' Std	L623,L823,L611
	<input type="checkbox"/> 10105-PT	16w x 38h	18-13wLLED/1-52wCLED	48 lbs	12' Std	L623,L823,L611
INCANDESCENT	<input type="checkbox"/> 10108-PT	10w x 18h	1-150wA	22 lbs	3' Std	N250
	<input type="checkbox"/> 10110-PT	12w x 23h	3-75wA/1-250wP38	25 lbs	6' Std	N300
	<input type="checkbox"/> 10112-PT	12w x 28h	6-75wA/1-250wP38	32 lbs	9' Std	N300
	<input type="checkbox"/> 10114-PT	14w x 33h	6-75wA/1-500wR40	37 lbs	9' Std	N500
	<input type="checkbox"/> 10116-PT	16w x 38h	9-75wA/1-500wR40	45 lbs	12' Std	N500
FLUORESCENT	<input type="checkbox"/> 10109-PT	10w x 18h	1-42wCFT	24 lbs	3' Std	DIM,IEM,FUS*
	<input type="checkbox"/> 10111-PT	12w x 23h	2-42wCFT/2-42wCFTdn	29 lbs	6' Std	L311
	<input type="checkbox"/> 10113-PT	12w x 28h	4-42wCFT/2-42wCFTdn	34 lbs	9' Std	L311
	<input type="checkbox"/> 10115-PT	14w x 33h	6-FT40w/4-42wCFTdn	41 lbs	9' Std	L611
	<input type="checkbox"/> 10117-PT	16w x 38h	6-FT50w/4-42wCFTdn	47 lbs	12' Std	L611

*All Fluorescent Fixtures
**All LED Fixtures

DIFFUSER	<input type="checkbox"/> BGA: Beige Alabaster Acrylic	<input type="checkbox"/> GRA: Green Edge Acrylic	<input type="checkbox"/> ECH: Etched*
	<input type="checkbox"/> NHA: Natural Horn Acrylic	<input type="checkbox"/> EGA: Earth Green Acrylic	<i>*Etched option creates a matte, non-glossy finish on one side of the diffuser. (Example: WOA-ECH)</i>
	<input type="checkbox"/> WHA: White Alabaster Acrylic	<input type="checkbox"/> DGA: Deep Gold Acrylic	
	<input type="checkbox"/> HNA: Honey Alabaster Acrylic	<input type="checkbox"/> SOG: Streaked Opal Glass	
	<input type="checkbox"/> WOA: White Opal Acrylic	<input type="checkbox"/> WOG: White Opal Glass	

	SOLID BRASS FINISHES	PAINTED METAL FINISHES	ALUMINUM FINISHES	STAINLESS STEEL FINISHES
METAL FINISH	<input type="checkbox"/> ABB: Antique Brass	<input type="checkbox"/> DGP: Dark Green	<input type="checkbox"/> SAA: Satin Aluminum	<input type="checkbox"/> NA
	<input type="checkbox"/> SBB: Satin Brass	<input type="checkbox"/> VGP: Verde Green	<input type="checkbox"/> SNA: Satin Nickel	<input type="checkbox"/>
	<input type="checkbox"/> PBB: Polished Brass	<input type="checkbox"/> CGP: Charcoal Gray	<input type="checkbox"/> PAA: Polished Aluminum	<input type="checkbox"/>
	<input type="checkbox"/> ANB: Antique Nickel	<input type="checkbox"/> MBP: Medium Bronze	<input type="checkbox"/> BBA: Burnished Bronze	<input type="checkbox"/>
	<input type="checkbox"/> SNB: Satin Nickel	<input type="checkbox"/> SBP: Satin Black	<input type="checkbox"/> RNA: Red Naval Bronze	<input type="checkbox"/>
	<input type="checkbox"/> PNB: Polished Nickel	<input type="checkbox"/> DBP: Dark Bronze	<input type="checkbox"/> SGA: Satin Gold	<input type="checkbox"/>
	<input type="checkbox"/> AZB: Antique Bronze	<input type="checkbox"/> LBP: Light Bronze	<input type="checkbox"/> SBA: Satin Bronze	<input type="checkbox"/>
	<input type="checkbox"/> SZB: Satin Bronze	<input type="checkbox"/> MGP: Medium Gold	<input type="checkbox"/> ORA: Oil Rubbed Bronze	<input type="checkbox"/>
	<input type="checkbox"/> PZB: Polished Bronze	<input type="checkbox"/> SCP: Sponged Copper	<input type="checkbox"/> SCA: Satin Copper	<input type="checkbox"/>
	<input type="checkbox"/> CSB: Custom Brass*	<input type="checkbox"/> CSP: Custom Paint*	<input type="checkbox"/> CSA: Custom Aluminum*	<input type="checkbox"/>

OPTIONS	<input type="checkbox"/> N250: 250wPar38 Downlight	<input type="checkbox"/> L311: 3-11wCLED Uplight	<input type="checkbox"/> FUS: Fusing
	<input type="checkbox"/> N300: 300wPar56 Downlight	<input type="checkbox"/> L611: 6-11wCLED Uplight	<input type="checkbox"/> IEM: Integral Emer.Ballast
	<input type="checkbox"/> N500: 500wPar56 Downlight	<input type="checkbox"/> L423: 4-23wCLED Downlight	<input type="checkbox"/> DALI: Dali dimming LED
	<input type="checkbox"/> DIM: Dimming Ballast	<input type="checkbox"/> L623: 6-23wCLED Downlight	<input type="checkbox"/>
	<input type="checkbox"/> REM: Remote Emer.Ballast	<input type="checkbox"/> L823: 8-23wCLED Downlight	<input type="checkbox"/>