



PAR-LB

P56-LB~P64-LB

Our PAR-LB units are a natural progression in energy efficiency. By combining LED technology with the parameters of standard incandescent par lamp sizes, we are able to offer an extremely powerful LED light engine that is a positive replacement for 150, 200, 300, and 500w Par lamps. These retrofits are ideal swap-outs for those hard-to-reach triangular corner mounts and recessed downlights found in auditoriums everywhere. Small par sizes (38 & 46) are one piece driver/LED assemblies. Larger par sizes (56 & 64) are two piece driver/LED assemblies fan-cooled for longevity.

~PAR-LB Series~

P38-LB..23wCLED
P46-LB..38wCLED
P56-LB..52wCLED
Q56-LB..83wCLED
P64-LB..83wCLED

Mounting: Lightsmith LED Par lamps mount into existing par lamp apertures by use of a metal surround ring attached to the heat sink of the LED board.

Listing and Warranty: Lightsmith fixtures are Underwriters Laboratories listed and carry a standard three year warranty against defects in materials and labor beginning at date of shipment.



Fixture Specifications

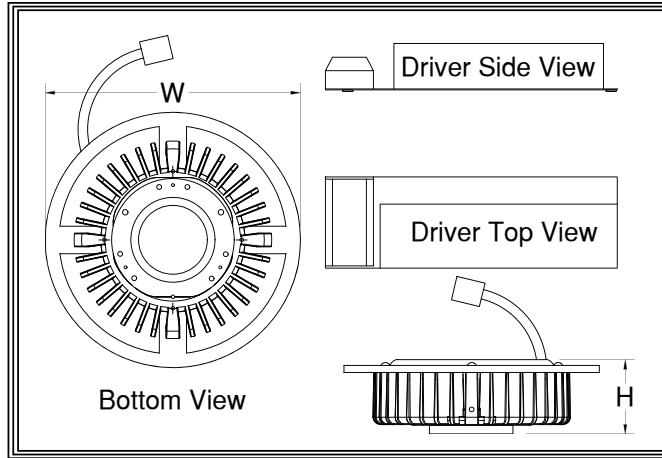
~
 FIXTURE NUMBER
 (Example: P56-LB)

~
 METAL FINISH
 (unfinished standard)

~
 VOLTAGE
 (120V)
 (277v)
 (347v)

~
 OPTIONS
 (Example:S)

~
 MODIFICATIONS
 (0-10v dimming, etc.)
 Use "Notes" Box At Top To Explain Modifications



Fixture Number Job Type

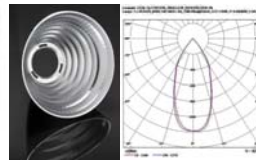
Job Name

Notes~Modifications

Fixture Number	Dimensions	Lamping	Weight	Inc Equal	Options
<input type="checkbox"/> P56-LB	7w x 2.25h *Drvr:2.5w x 8L x 1.3h	1-52wCLED (9,375 lumens)	2 lbs	300wP56 (3840 lm)	W,M,N,S,F
<input type="checkbox"/> Q56-LB	7w x 2.25h *Drvr:4w x 8L x 1.25h	1-83wCLED (12,597 lumens)	2.5 lbs	500wP56 (8000 lm)	W,M,N,S,F
<input type="checkbox"/> P64-LB	8w x 2.25h *Drvr:4w x 8L x 1.25h	1-83wCLED (12,597 lumens)	3 lbs	500wP64 (6500 lm)	W,M,N,S,F

*All drivers are remote mounted from LED.

P56-LB with type "M" (46°) medium spread reflector mounted in a standard triangle unit gimbal ring.



~Medium Reflector/46° Spread~
 (For complete reflector specs see page DR-2S)

P56/64 LEDs are built with Synjet Airflow technology. State-of-the-art cooling with Piezo pumps force air through heatsink fins utilizing whisper-quiet flexing diaphragms with 200,000 hour life span.



P56-LB LED Par Lamp Retrofit next to the incandescent 300w Par lamp it is replacing.

OPTIONS

W: Wide reflector (72°)
 M: Medium reflector (46°)
 N: Narrow reflector (30°)
 S: Spot reflector (22°)
 F: Focus reflector (6°)

~Bare LED's (see top left) throw 150° beams~



P56-LB LED Par Lamp Retrofit installed in an existing triangle corner unit. Remote driver features magnetic feet for "no screws needed" mounting.

