



PRS-L

CL-7200~CL-7203

Our PRS-L fixtures come in basic configurations: wall, ceiling, pendant, chandelier. They feature tilting gimbal ring holders that also spin up to 358° for complete aiming options. The single ceiling and wall units are compact flood and spot lights, meant for independent aiming adjustments including left and right of stage areas. Paris comes in a variety of colors and lamping options. For high ceiling areas, our LED options will really help. The chips and reflectors we use will make focusing a dream. And the LED's themselves will make lamp maintenance a thing of the past.

~PRS-L Series~

- Chandelier: CH-7200~CH-7211
- Pendant: PD-7200~PD-7231
- Ceiling Mt: CL-7200~CL-7203
- Wall Mt: SC-7200~SC-7203
- Bollard: BL-7200~BL-7211

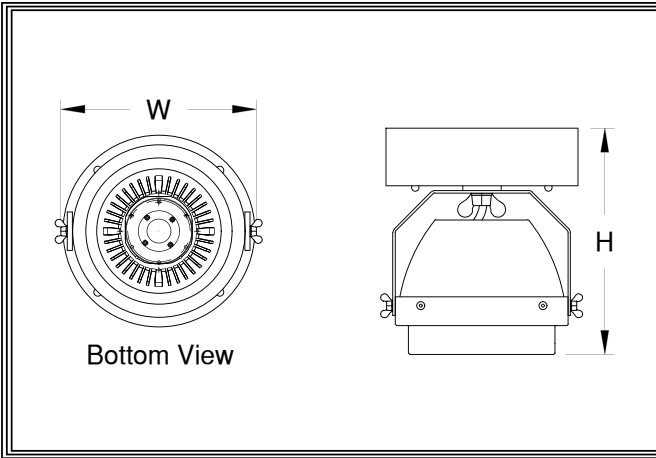
Mounting: Lightsmith fixtures mount to standard 4" octagon electrical boxes unless otherwise specified. All hardware and canopies supplied.

Listing and Warranty: Lightsmith fixtures are Underwriters Laboratories listed and carry a standard three year warranty against defects in materials and labor beginning at date of shipment.



Fixture Specifications

CL-72	~	DIFFUSER	~	METAL FINISH	~	VOLTAGE	~	NR	~	OPTIONS	~	MODIFICATIONS
FIXTURE NUMBER (Example: CL-7202)		DIFFUSER (Example: NR)		METAL FINISH (Example: ABB)		VOLTAGE <input type="checkbox"/> (120V) <input type="checkbox"/> (277V) <input type="checkbox"/> (347V)		STEM=S+Lgth (Example: S-96") CHAIN=C+Lgth (Example: C-96") NR=Not required		OPTIONS (Example: CEM)		MODIFICATIONS (Example: Custom Paint) Use "Notes" Box At Top To Explain Modifications



DR-72	
Fixture Number	Job Type
Job Name	

Notes~Modifications

	Fixture Number	Dimensions	Lamping	Weight	Options
LED	<input type="checkbox"/> CL-7200	8w x 10h	1-23wCLED (2790 lumens)	4 lbs	W,M,N,S,F
	<input type="checkbox"/> CL-7201	8w x 10h	1-38wCLED (5734 lumens)	5 lbs	W,M,N,S,F
	<input type="checkbox"/> CL-7202	10w x 12h	1-52wCLED (9375 lumens)	6 lbs	W,M,N,S,F
	<input type="checkbox"/> CL-7203	10w x 12h	1-83wCLED (12597 lumens)	7 lbs	W,M,N,S,F
					BLC,CEM,SRP*

~Single Circuit Standard Wiring~

All LED fixtures*

DIFFUSER	<input type="checkbox"/> CRL: Concentric Ring Louver	<input type="checkbox"/>
	<input type="checkbox"/> NR: Not Required (shown)	<input type="checkbox"/>
	<input type="checkbox"/>	<input type="checkbox"/>
	<input type="checkbox"/>	<input type="checkbox"/>
	<input type="checkbox"/>	<input type="checkbox"/>

SOLID BRASS FINISHES	PAINTED METAL FINISHES	ALUMINUM FINISHES	STAINLESS STEEL FINISHES
<input type="checkbox"/> ABB: Antique Brass	<input type="checkbox"/> DGP: Dark Green	<input type="checkbox"/> SAA: Satin Aluminum	<input type="checkbox"/> NA
<input type="checkbox"/> SBB: Satin Brass	<input type="checkbox"/> VGP: Verde Green	<input type="checkbox"/> SNA: Satin Nickel	<input type="checkbox"/>
<input type="checkbox"/> PBB: Polished Brass	<input type="checkbox"/> CGP: Charcoal Gray	<input type="checkbox"/> PAA: Polished Aluminum	<input type="checkbox"/>
<input type="checkbox"/> ANB: Antique Nickel	<input type="checkbox"/> MBP: Medium Bronze	<input type="checkbox"/> BBA: Burnished Bronze	<input type="checkbox"/>
<input type="checkbox"/> SNB: Satin Nickel	<input type="checkbox"/> SBP: Satin Black	<input type="checkbox"/> RNA: Red Naval Bronze	<input type="checkbox"/>
<input type="checkbox"/> PNB: Polished Nickel	<input type="checkbox"/> DBP: Dark Bronze	<input type="checkbox"/> SGA: Satin Gold	<input type="checkbox"/>
<input type="checkbox"/> AZB: Antique Bronze	<input type="checkbox"/> LBP: Light Bronze	<input type="checkbox"/> SBA: Satin Bronze	<input type="checkbox"/>
<input type="checkbox"/> SZB: Satin Bronze	<input type="checkbox"/> MGP: Medium Gold	<input type="checkbox"/> ORA: Oil Rubbed Bronze	<input type="checkbox"/>
<input type="checkbox"/> PZB: Polished Bronze	<input type="checkbox"/> SCP: Sponged Copper	<input type="checkbox"/> SCA: Satin Copper	<input type="checkbox"/>
<input type="checkbox"/> CSB: Custom Brass*	<input type="checkbox"/> CSP: Custom Paint*	<input type="checkbox"/> CSA: Custom Aluminum*	<input type="checkbox"/>

OPTIONS	<input type="checkbox"/> BLC: Canopy Drivers (Std)	<input type="checkbox"/> W: Wide reflector (72°)	<input type="checkbox"/>
	<input type="checkbox"/> CEM: Canopy Emer. Ballast	<input type="checkbox"/> M: Medium reflector (46°)	<input type="checkbox"/>
	<input type="checkbox"/> SPR: Surge Potector	<input type="checkbox"/> N: Narrow reflector (30°)	<input type="checkbox"/>
	<input type="checkbox"/>	<input type="checkbox"/> S: Spot reflector (22°)	<input type="checkbox"/>
	<input type="checkbox"/>	<input type="checkbox"/> F: Focus reflector (6°)	<input type="checkbox"/>