



**Franklin**

**801-PC~817-PC**

Our Franklin fixtures are square acrylic panels joined in the corners by transparent acrylic rods. Stainless steel screws thread into the acrylic rods through transparent acrylic square lenses top and bottom to join the frame together. East and West sides of the square body feature transparent crosses in the upper right hand corners. North and South sides of the fixture have parallel metal rails that may be color matched to the stem or chain for a fully integrated look. Great lamping options. Try our LED's! Amazing style. Match side panel colors to top and bottom colors for a truly unique light.

~Franklin Series~

Chandelier:841-CHC~873-CHC

Pendant:801-PC~817-PC

Ceiling Mount:804-CC~817-CC

Wall Mount:801-WC~813-WC

S-Pendant:803-SC~815-SC

**Mounting:** Lightsmith fixtures mount to standard 4" octagon electrical boxes unless otherwise specified. All hardware and canopies supplied.

**Listing and Warranty:** Lightsmith fixtures are Underwriters Laboratories listed and carry a standard three year warranty against defects in materials and labor beginning at date of shipment.



**Fixture Specifications**

8 -PC

FIXTURE NUMBER  
(Example: 801-PC)

DIFFUSER  
(Example: WOA-CLA)

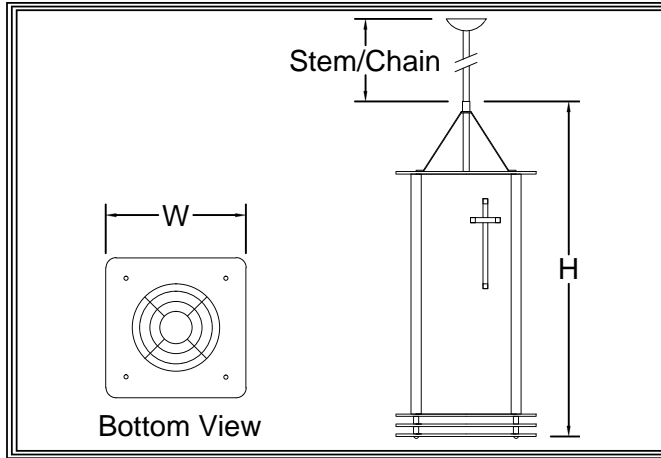
METAL FINISH  
(Example: PBB)

VOLTAGE  
 (120V)  
 (277V)  
 (347V)

STEM=S+Lgth  
(Example: S-96")  
CHAIN=C+Lgth  
(Example: C-96")  
NR=Not required

OPTIONS  
(Example: DIM,REM)

MODIFICATIONS  
(Example: Custom Paint)  
Use "Notes" Box At Top To Explain Modifications



8 -PC     

Fixture Number      Job Type

Job Name

Notes~Modifications

	Fixture Number	Dimensions	Lamping	Weight	Stem/Chain	Options
LED	<input type="checkbox"/> 801-PC	12w x 18h	2-13wLLED	15 lbs	3' Std	DALI,REM,FUS**
	<input type="checkbox"/> 802-PC	14w x 24h	4-13wLLED/1-38wCLED	19 lbs	6' Std	L423,L623
	<input type="checkbox"/> 803-PC	14w x 30h	6-13wLLED/1-38wCLED	23 lbs	9' Std	L423,L623,L311
	<input type="checkbox"/> 804-PC	16w x 36h	12-13wLLED/1-52wCLED	27 lbs	9' Std	L623,L823,L611
	<input type="checkbox"/> 805-PC	18w x 42h	18-13wLLED/1-52wCLED	31 lbs	12' Std	L623,L823,L611
INCANDESCENT	<input type="checkbox"/> 808-PC	12w x 18h	1-150wA	12 lbs	3' Std	N250
	<input type="checkbox"/> 810-PC	14w x 24h	3-75wA/1-250wP38	16 lbs	6' Std	N300
	<input type="checkbox"/> 812-PC	14w x 30h	6-75wA/1-250wP38	20 lbs	9' Std	N300
	<input type="checkbox"/> 814-PC	16w x 36h	6-75wA/1-500wR40	24 lbs	9' Std	N500
	<input type="checkbox"/> 816-PC	18w x 42h	9-75wA/1-500wR40	28 lbs	12' Std	N500
FLUORESCENT	<input type="checkbox"/> 809-PC	12w x 18h	1-42wCFT	14 lbs	3' Std	DIM,IEM,REM,FUS*
	<input type="checkbox"/> 811-PC	14w x 24h	2-42wCFT/2-42wCFTdn	18 lbs	6' Std	L311
	<input type="checkbox"/> 813-PC	14w x 30h	4-42wCFT/2-42wCFTdn	22 lbs	9' Std	L311
	<input type="checkbox"/> 815-PC	16w x 36h	6-FT40w/4-42wCFTdn	26 lbs	9' Std	L611
	<input type="checkbox"/> 817-PC	18w x 42h	6-FT50w/4-42wCFTdn	30 lbs	12' Std	L611

~Two Circuits Standard Wiring~

\*All Fluorescent Fixtures  
\*\*All LED Fixtures

SIDE PANEL COLORS

TOP & BOTTOM COLORS

DIFFUSER	<input type="checkbox"/> BGA: Beige Alabaster Acrylic	<input type="checkbox"/> CLA: Clear Edge Acrylic	<input type="checkbox"/> ECH: Etched* <i>*Etched option creates a matte, non-glossy finish on one side of the diffuser. (Example: WOA-ECH)</i>
	<input type="checkbox"/> NHA: Natural Horn Acrylic	<input type="checkbox"/> GRA: Green Edge Acrylic	
	<input type="checkbox"/> WHA: White Alabaster Acrylic	<input type="checkbox"/> BLA: Blue Edge Acrylic	
	<input type="checkbox"/> HNA: Honey Alabaster Acrylic	<input type="checkbox"/> BRA: Brown Edge Acrylic	
	<input type="checkbox"/> WOA: White Opal Acrylic	<input type="checkbox"/> SMA: Smoke Edge Acrylic	

SOLID BRASS FINISHES

PAINTED METAL FINISHES

ALUMINUM FINISHES

STAINLESS STEEL FINISHES

METAL FINISH	<input type="checkbox"/> ABB: Antique Brass	<input type="checkbox"/> DGP: Dark Green	<input type="checkbox"/> SAA: Satin Aluminum	<input type="checkbox"/> SSS: Satin
	<input type="checkbox"/> SBB: Satin Brass	<input type="checkbox"/> VGP: Verde Green	<input type="checkbox"/> SNA: Satin Nickel	<input type="checkbox"/> DSS: Distressed
	<input type="checkbox"/> PBB: Polished Brass	<input type="checkbox"/> CGP: Charcoal Gray	<input type="checkbox"/> PAA: Polished Aluminum	<input type="checkbox"/> PSS: Polished
	<input type="checkbox"/> ANB: Antique Nickel	<input type="checkbox"/> MBP: Medium Bronze	<input type="checkbox"/> BBA: Burnished Bronze	<input type="checkbox"/> HSS: Hammered
	<input type="checkbox"/> SNB: Satin Nickel	<input type="checkbox"/> SBP: Satin Black	<input type="checkbox"/> RNA: Red Naval Bronze	<input type="checkbox"/>
	<input type="checkbox"/> PNB: Polished Nickel	<input type="checkbox"/> DBP: Dark Bronze	<input type="checkbox"/> SGA: Satin Gold	<input type="checkbox"/>
	<input type="checkbox"/> AZB: Antique Bronze	<input type="checkbox"/> LBP: Light Bronze	<input type="checkbox"/> SBA: Satin Bronze	<input type="checkbox"/>
	<input type="checkbox"/> SZB: Satin Bronze	<input type="checkbox"/> MGP: Medium Gold	<input type="checkbox"/> ORA: Oil Rubbed Bronze	<input type="checkbox"/>
	<input type="checkbox"/> PZB: Polished Bronze	<input type="checkbox"/> SCP: Sponged Copper	<input type="checkbox"/> SCA: Satin Copper	<input type="checkbox"/>
	<input type="checkbox"/> CSB: Custom Brass*	<input type="checkbox"/> CSP: Custom Paint*	<input type="checkbox"/> CSA: Custom Aluminum*	<input type="checkbox"/> CSS: Custom SS*

OPTIONS	<input type="checkbox"/> N250: 250wPar38 Downlight	<input type="checkbox"/> L311: 3-11wCLED Uplight	<input type="checkbox"/> FUS: Fusing
	<input type="checkbox"/> N300: 300wPar56 Downlight	<input type="checkbox"/> L611: 6-11wCLED Uplight	<input type="checkbox"/> IEM: Integral Emer.Ballast
	<input type="checkbox"/> N500: 500wPar56 Downlight	<input type="checkbox"/> L423: 4-23wCLED Downlight	<input type="checkbox"/> DALI: Dali dimming LED
	<input type="checkbox"/> DIM: Dimming Ballast	<input type="checkbox"/> L623: 6-23wCLED Downlight	<input type="checkbox"/>
	<input type="checkbox"/> REM: Remote Emer.Ballast	<input type="checkbox"/> L823: 8-23wCLED Downlight	<input type="checkbox"/>
			<input type="checkbox"/>