



Ashlawn

403-SC~416-SC

Our Ashlawn fixtures are very attractive lanterns and sconces. The pendants feature three wooden crosses and three wooden staves attached to two spun metal rings and a central acrylic cylinder. These are simple lights with deep Christian symbolism. We hand make the crosses and staves here in the shop...one at a time. They are sanded, stained, and lacquered with great care. The effect is a vibrant light fixture with plenty of interior and down light to fill a church sanctuary. We offer amazing lamping options with our LED clusters. You will not have to change lamps for many years using them.

~Ashlawn Series~

Chandelier:441-CHC~472-CHC

Pendant:401-PC~418-PC

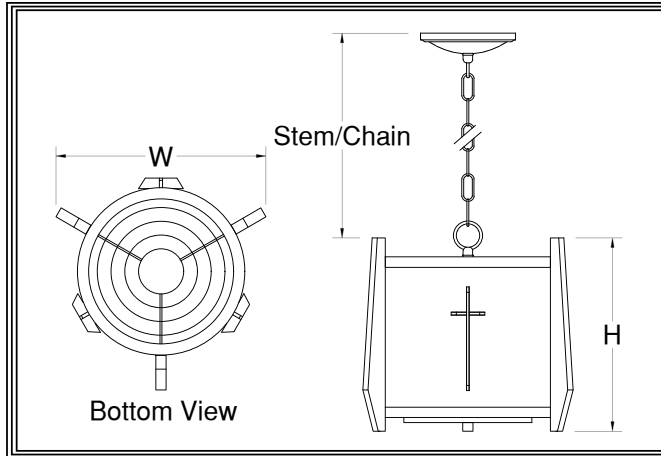
Ceiling Mount:404-CC~416-CC

Wall Mount:401-WC~412-WC

S-Pendant:403-SC~416-SC

Mounting: Lightsmith fixtures mount to standard 4" octagon electrical boxes unless otherwise specified. All hardware and canopies supplied.

Listing and Warranty: Lightsmith fixtures are Underwriters Laboratories listed and carry a standard three year warranty against defects in materials and labor beginning at date of shipment.



4-SC

Fixture Number Job Type

Job Name

Notes~Modifications

	Fixture Number	Dimensions	Lamping	Weight	Stem/Chain	Options
LED	<input type="checkbox"/> 403-SC	14w x 14h	2-13wL(2820 lm)/1-23wC(2790 lm)	10 lbs	3' Std	L313
	<input type="checkbox"/> 404-SC	16w x 14h	4-13wL(5640 lm)/1-38wC(5734 lm)	12 lbs	3' Std	L323 IEM,REM,SPR**
INCANDESCENT	<input type="checkbox"/> 414-SC	14w x 14h	3-60wA(2400 lm)/1-150wP38(1700 lm)	8 lbs	3' Std	L38,L310
	<input type="checkbox"/> 416-SC	16w x 14h	3-100wA(5220 lm)/1-250wP38(3600 lm)	10 lbs	3' Std	L52,L315
FLUORESCENT	<input type="checkbox"/>					

~Two Circuits Standard Wiring~

**All LED Fixtures

DIFFUSER	<input type="checkbox"/> BGA: Beige Alabaster Acrylic	<input type="checkbox"/> GRA: Green Edge Acrylic	<input type="checkbox"/> ECH: Etched*
	<input type="checkbox"/> NHA: Natural Horn Acrylic	<input type="checkbox"/> HNA: Honey Alabaster Acrylic	*Etched option creates a matte, non-glossy finish on one side of the diffuser.(Example:WOA-ECH)
	<input type="checkbox"/> WHA: White Alabaster Acrylic	<input type="checkbox"/> WOA: White Opal Acrylic	

WOOD	<input type="checkbox"/> LOK: Light Oak	<input type="checkbox"/> LCH: Light Cherry
	<input type="checkbox"/> MOK: Medium Oak	<input type="checkbox"/> MCH: Medium Cherry
	<input type="checkbox"/> DOK: Dark Oak	<input type="checkbox"/> DCH: Dark Cherry

	SOLID BRASS FINISHES	PAINTED METAL FINISHES	ALUMINUM FINISHES	STAINLESS STEEL FINISHES
METAL FINISH	<input type="checkbox"/> ABB: Antique Brass	<input type="checkbox"/> DGP: Dark Green	<input type="checkbox"/> SAA: Satin Aluminum	<input type="checkbox"/> SSS: Satin
	<input type="checkbox"/> SBB: Satin Brass	<input type="checkbox"/> VGP: Verde Green	<input type="checkbox"/> SNA: Satin Nickel	<input type="checkbox"/> DSS: Distressed
	<input type="checkbox"/> PBB: Polished Brass	<input type="checkbox"/> CGP: Charcoal Gray	<input type="checkbox"/> PAA: Polished Aluminum	<input type="checkbox"/> PSS: Polished
	<input type="checkbox"/> ANB: Antique Nickel	<input type="checkbox"/> MBP: Medium Bronze	<input type="checkbox"/> BBA: Burnished Bronze	<input type="checkbox"/> HSS: Hammered
	<input type="checkbox"/> SNB: Satin Nickel	<input type="checkbox"/> SBP: Satin Black	<input type="checkbox"/> RNA: Red Naval Bronze	<input type="checkbox"/>
	<input type="checkbox"/> PNB: Polished Nickel	<input type="checkbox"/> DBP: Dark Bronze	<input type="checkbox"/> SGA: Satin Gold	<input type="checkbox"/>
	<input type="checkbox"/> AZB: Antique Bronze	<input type="checkbox"/> LBP: Light Bronze	<input type="checkbox"/> SBA: Satin Bronze	<input type="checkbox"/>
	<input type="checkbox"/> SZB: Satin Bronze	<input type="checkbox"/> MGP: Medium Gold	<input type="checkbox"/> ORA: Oil Rubbed Bronze	<input type="checkbox"/>
	<input type="checkbox"/> PZB: Polished Bronze	<input type="checkbox"/> SCP: Sponged Copper	<input type="checkbox"/> SCA: Satin Copper	<input type="checkbox"/>
	<input type="checkbox"/> CSB: Custom Brass*	<input type="checkbox"/> CSP: Custom Paint*	<input type="checkbox"/> CSA: Custom Aluminum*	<input type="checkbox"/> CSS: Custom SS*

OPTIONS	<input type="checkbox"/> L38: 38wLED R40 Downlight	<input type="checkbox"/> L313: 3-13wCLED Uplight	<input type="checkbox"/> SPR: Surge protector
	<input type="checkbox"/> L52: 52wLED R40 Downlight	<input type="checkbox"/> L323: 3-23wCLED Uplight	<input type="checkbox"/> IEM: Integral Emer. Driver
	<input type="checkbox"/> DIM: Dimming Driver (std)	<input type="checkbox"/> L310: 3-10wLED A-lamp	<input type="checkbox"/>
	<input type="checkbox"/> REM: Remote Emer.Driver	<input type="checkbox"/> L315: 3-15wLED A-lamp	<input type="checkbox"/>
	<input type="checkbox"/>	<input type="checkbox"/>	<input type="checkbox"/>

4-SC ~ ~ ~ ~ ~ ~ ~

(120V) (277V) (347V)

STEM=S+Lgth (Example:S-96")
 CHAIN=C+Lgth (Example:C-96")
 NR=Not required

OPTIONS (Example:DIM,REM)

MODIFICATIONS (Example:Custom Paint*)
 Use "Notes" Box At Top To Explain Modifications