



# Ashlawn

## 404-CC~419-CC

Our Ashlawn fixtures are very attractive lanterns and sconces. The pendants feature three wooden crosses and three wooden staves attached to two spun metal rings and a central acrylic cylinder. These are simple lights with deep Christian symbolism. We hand make the crosses and staves here in the shop...one at a time. They are sanded, stained, and lacquered with great care. The effect is a vibrant light fixture with plenty of interior and down light to fill a church sanctuary. We offer amazing lamping options with our CFL and LED clusters. You will not have to change lamps for many years using them.

### ~Ashlawn Series~

Chandelier:441-CHC~473-CHC

Pendant:401-PC~419-PC

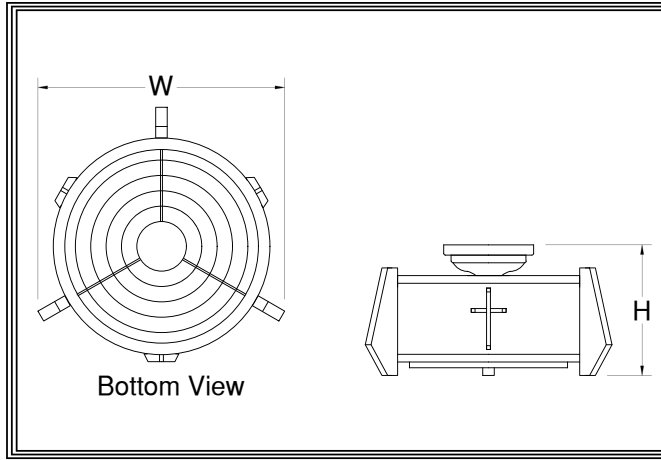
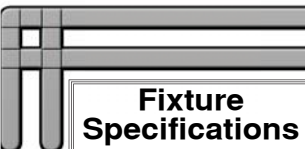
Ceiling Mount:404-CC~419-CC

Wall Mount:401-WC~415-WC

S-Pendant:403-SC~417-SC

**Mounting:** Lightsmith fixtures mount to standard 4" octagon electrical boxes unless otherwise specified. All hardware and canopies supplied.

**Listing and Warranty:** Lightsmith fixtures are Underwriters Laboratories listed and carry a standard three year warranty against defects in materials and labor beginning at date of shipment.



4 -CC     

Fixture Number      Job Type

Job Name

Notes~Modifications

	Fixture Number	Dimensions	Lamping	Weight	Stem/Chain	Options
LED	<input type="checkbox"/> 404-CC	16w x 10h	3-11wCLED	6 lbs	NR	L123
	<input type="checkbox"/> 405-CC	18w x 10h	3-13wCLED	7 lbs	NR	L123 DALI,REM,FUS**
INCANDESCENT	<input type="checkbox"/> 416-CC	16w x 10h	3-60wA	4 lbs	NR	N75
	<input type="checkbox"/> 418-CC	18w x 10h	3-75wA	5 lbs	NR	N100
FLUORESCENT	<input type="checkbox"/> 417-CC	16w x 10h	2-26wCFT	5 lbs	NR	L123
	<input type="checkbox"/> 419-CC	18w x 10h	2-42wCFT	6 lbs	NR	L123 DIM,REM,FUS*

~One Circuit Standard Wiring~

\*All Fluorescent Fixtures  
\*\*All LED Fixtures

DIFFUSER	<input type="checkbox"/> BGA: Beige Alabaster Acrylic	<input type="checkbox"/> GRA: Green Edge Acrylic	<input type="checkbox"/> ECH: Etched*
	<input type="checkbox"/> NHA: Natural Horn Acrylic	<input type="checkbox"/> HNA: Honey Alabaster Acrylic	*Etched option creates a matte, non-glossy finish on one side of the diffuser. (Example: WOA-ECH)
	<input type="checkbox"/> WHA: White Alabaster Acrylic	<input type="checkbox"/> WOA: White Opal Acrylic	

WOOD	<input type="checkbox"/> LOK: Light Oak	<input type="checkbox"/> LCH: Light Cherry
	<input type="checkbox"/> MOK: Medium Oak	<input type="checkbox"/> MCH: Medium Cherry
	<input type="checkbox"/> DOK: Dark Oak	<input type="checkbox"/> DCH: Dark Cherry

	SOLID BRASS FINISHES	PAINTED METAL FINISHES	ALUMINUM FINISHES	STAINLESS STEEL FINISHES
METAL FINISH	<input type="checkbox"/> ABB: Antique Brass	<input type="checkbox"/> DGP: Dark Green	<input type="checkbox"/> SAA: Satin Aluminum	<input type="checkbox"/> SSS: Satin
	<input type="checkbox"/> SBB: Satin Brass	<input type="checkbox"/> VGP: Verde Green	<input type="checkbox"/> SNA: Satin Nickel	<input type="checkbox"/> DSS: Distressed
	<input type="checkbox"/> PBB: Polished Brass	<input type="checkbox"/> CGP: Charcoal Gray	<input type="checkbox"/> PAA: Polished Aluminum	<input type="checkbox"/> PSS: Polished
	<input type="checkbox"/> ANB: Antique Nickel	<input type="checkbox"/> MBP: Medium Bronze	<input type="checkbox"/> BBA: Burnished Bronze	<input type="checkbox"/> HSS: Hammered
	<input type="checkbox"/> SNB: Satin Nickel	<input type="checkbox"/> SBP: Satin Black	<input type="checkbox"/> RNA: Red Naval Bronze	<input type="checkbox"/>
	<input type="checkbox"/> PNB: Polished Nickel	<input type="checkbox"/> DBP: Dark Bronze	<input type="checkbox"/> SGA: Satin Gold	<input type="checkbox"/>
	<input type="checkbox"/> AZB: Antique Bronze	<input type="checkbox"/> LBP: Light Bronze	<input type="checkbox"/> SBA: Satin Bronze	<input type="checkbox"/>
	<input type="checkbox"/> SZB: Satin Bronze	<input type="checkbox"/> MGP: Medium Gold	<input type="checkbox"/> ORA: Oil Rubbed Bronze	<input type="checkbox"/>
	<input type="checkbox"/> PZB: Polished Bronze	<input type="checkbox"/> SCP: Sponged Copper	<input type="checkbox"/> SCA: Satin Copper	<input type="checkbox"/>
	<input type="checkbox"/> CSB: Custom Brass*	<input type="checkbox"/> CSP: Custom Paint*	<input type="checkbox"/> CSA: Custom Aluminum*	<input type="checkbox"/> CSS: Custom SS*

OPTIONS	<input type="checkbox"/> N75: 75wPar30 Downlight	<input type="checkbox"/> L123: 1-23wCLED Downlight	<input type="checkbox"/> FUS: Fusing
	<input type="checkbox"/> N100: 100wPar30 Downlight	<input type="checkbox"/>	<input type="checkbox"/> DALI: Dali dimming LED
	<input type="checkbox"/> DIM: Dimming Ballast	<input type="checkbox"/>	<input type="checkbox"/>
	<input type="checkbox"/> REM: Remote Emer.Ballast	<input type="checkbox"/>	<input type="checkbox"/>

4 -CC ~  ~  ~  ~  ~ NR ~  ~

<b>FIXTURE NUMBER</b> (Example: 416-CC)	<b>DIFFUSER</b> (Example: BGA-ECH)	<b>WOOD FINISH</b> (Example: MOK)	<b>METAL FINISH</b> (Example: ABB)	<b>VOLTAGE</b> <input type="checkbox"/> (120V) <input type="checkbox"/> (277V) <input type="checkbox"/> (347V)	<b>STEM=</b> S+Lgth (Example: S-96") <b>CHAIN=</b> C+Lgth (Example: C-96") NR=Not required	<b>OPTIONS</b> (Example: DIM,REM)	<b>MODIFICATIONS</b> (Example: Custom Paint) Use "Notes" Box At Top To Explain Modifications
--	---------------------------------------	--------------------------------------	---------------------------------------	---	--	--------------------------------------	--