



Buckner

2604-CC~2618-CC

Our Buckner ceiling fixtures are made especially for churches requiring Christian symbolism in their sanctuary without the hindrance and shadow that a pendant fixture might pose to their broadcast screens. Buckner fixtures look good with or without a screen in the auditorium, but we had as a goal in the beginning of Buckner design to make an attractive, meaningful light that would not detract from services while performing the duties of a powerful luminaire. The modular LED versions of this fixture are quite possibly the most powerful downlights in the church market today.

~Buckner Series~

Chandelier:2641-CHC~2673-CHC

Pendant:2601-PC~2617-PC

Ceiling Mt:2604-CC~2618-CC

Wall Mt:2601-WC~2613-WC

S-Pendant:2603-SC~2615-SC

Mounting: Lightsmith fixtures mount to standard 4" octagon electrical boxes unless otherwise specified. All hardware and canopies supplied.

Listing and Warranty: Lightsmith fixtures are Underwriters Laboratories listed and carry a standard three year warranty against defects in materials and labor beginning at date of shipment.



Fixture Specifications

26 -CC ~

FIXTURE NUMBER
(Example: 2604-CC)

NA ~

DIFFUSER
()

~

METAL FINISH
(Example: ABB)

~

VOLTAGE
 (120V)
 (277V)
 (347V)

~

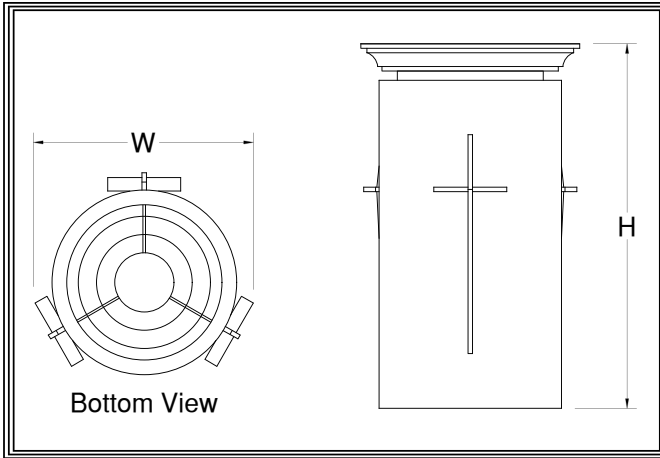
NR
STEM=S+Lgth
(Example:S-96")
CHAIN=C+Lgth
(Example:C-96")
NR=Not required

~

OPTIONS
(Example: DIM, IEM)

~

MODIFICATIONS
(Example: Custom Paint)
Use "Notes" Box At Top To Explain Modifications



26 -CC

Fixture Number

Job Type

Job Name

Notes~Modifications

	Fixture Number	Dimensions	Lamping	Weight	Options
LED	<input type="checkbox"/> 2604-CC	14w x 12h	1-52wCLED (9375 lm)	8 lbs	IEM, SPR ** WLM
	<input type="checkbox"/> 2605-CC	14w x 16h	1-83wCLED (12597 lm)	10 lbs	
INCANDESCENT	<input type="checkbox"/> 2616-CC	14w x 12h	1-300 R40 (3700 lm)	6 lbs	L52 L83
	<input type="checkbox"/> 2618-CC	14w x 16h	1-500 R40 (5000 lm)	7 lbs	
FLUORESCENT	<input type="checkbox"/>				

~Single Circuit Standard Wiring~

**All LED Fixtures

DIFFUSER	<input type="checkbox"/> NA	<input type="checkbox"/> NA	<input type="checkbox"/> NA
	<input type="checkbox"/>	<input type="checkbox"/>	<input type="checkbox"/>
	<input type="checkbox"/>	<input type="checkbox"/>	<input type="checkbox"/>
	<input type="checkbox"/>	<input type="checkbox"/>	<input type="checkbox"/>
	<input type="checkbox"/>	<input type="checkbox"/>	<input type="checkbox"/>

	SOLID BRASS FINISHES	PAINTED METAL FINISHES	ALUMINUM FINISHES	STAINLESS STEEL FINISHES
METAL FINISH	<input type="checkbox"/> ABB: Antique Brass	<input type="checkbox"/> DGP: Dark Green	<input type="checkbox"/> SAA: Satin Aluminum	<input type="checkbox"/> NA
	<input type="checkbox"/> SBB: Satin Brass	<input type="checkbox"/> VGP: Verde Green	<input type="checkbox"/> SNA: Satin Nickel	<input type="checkbox"/>
	<input type="checkbox"/> PBB: Polished Brass	<input type="checkbox"/> CGP: Charcoal Gray	<input type="checkbox"/> PAA: Polished Aluminum	<input type="checkbox"/>
	<input type="checkbox"/> ANB: Antique Nickel	<input type="checkbox"/> MBP: Medium Bronze	<input type="checkbox"/> BBA: Burnished Bronze	<input type="checkbox"/>
	<input type="checkbox"/> SNB: Satin Nickel	<input type="checkbox"/> SBP: Satin Black	<input type="checkbox"/> RNA: Red Naval Bronze	<input type="checkbox"/>
	<input type="checkbox"/> PNB: Polished Nickel	<input type="checkbox"/> DBP: Dark Bronze	<input type="checkbox"/> SGA: Satin Gold	<input type="checkbox"/>
	<input type="checkbox"/> AZB: Antique Bronze	<input type="checkbox"/> LBP: Light Bronze	<input type="checkbox"/> SBA: Satin Bronze	<input type="checkbox"/>
	<input type="checkbox"/> SZB: Satin Bronze	<input type="checkbox"/> MGP: Medium Gold	<input type="checkbox"/> ORA: Oil Rubbed Bronze	<input type="checkbox"/>
	<input type="checkbox"/> PZB: Polished Bronze	<input type="checkbox"/> SCP: Sponged Copper	<input type="checkbox"/> SCA: Satin Copper	<input type="checkbox"/>
	<input type="checkbox"/> CSB: Custom Brass*	<input type="checkbox"/> CSP: Custom Paint*	<input type="checkbox"/> CSA: Custom Aluminum*	<input type="checkbox"/>

OPTIONS	<input type="checkbox"/> L52: 52w Med Bs LED	<input type="checkbox"/> WLM: Wet Location Mtg	<input type="checkbox"/> SPR: Surge protector
	<input type="checkbox"/> L83: 83w Med Bs LED	<input type="checkbox"/>	<input type="checkbox"/>
	<input type="checkbox"/> DIM: Dimming Driver (Std)	<input type="checkbox"/>	<input type="checkbox"/>
	<input type="checkbox"/> IEM: Integral Emer.Ballast	<input type="checkbox"/>	<input type="checkbox"/>
	<input type="checkbox"/>	<input type="checkbox"/>	<input type="checkbox"/>