



# Poplar Forest

## 201-PC~217-PC

Our Poplar Forest fixtures are square acrylic frames accented by wood staves and colored reveals. We show dark oak and amber in the pendant photo, but light cherry and blue looks just as good. We occasionally make these lights from walnut as well. These lanterns and sconces are exceptionally bright. The acrylic corners allow light to deflect and pass into the room at strong 90° angles. The purity of the smooth acrylic lens plays well against the warmth of the wooden battens. We offer tremendous color and lamping options. Our LED clusters are without equal in the church lighting world. No one could have imagined 20 year lamps till now.

### ~Poplar Forest Series~

Chandelier:241-CHC~273-CHC

Pendant:201-PC~217-PC

Ceiling Mount:204-CC~217-CC

Wall Mount:201-WC~213-WC

S-Pendant:203-SC~215-SC

**Mounting:** Lightsmith fixtures mount to standard 4" octagon electrical boxes unless otherwise specified. All hardware and canopies supplied.

**Listing and Warranty:** Lightsmith fixtures are Underwriters Laboratories listed and carry a standard three year warranty against defects in materials and labor beginning at date of shipment.



## Fixture Specifications

2 -PC

FIXTURE NUMBER  
(Example: 201-PC)

DIFFUSER  
(Example: BGA-ECH)

WOOD FINISH  
(Example: MOK)

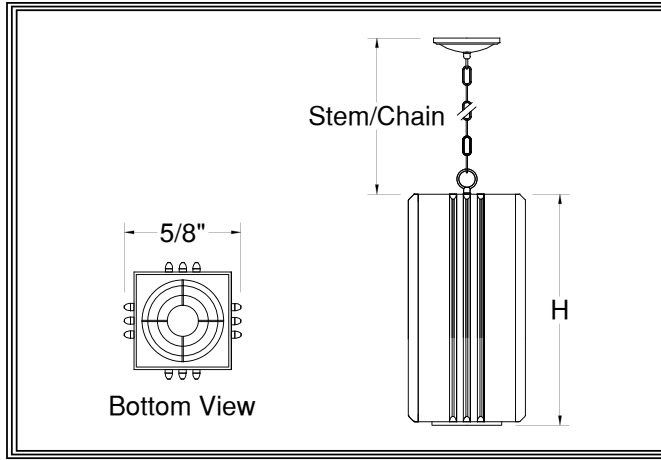
METAL FINISH  
(Example: ABB)

VOLTAGE  
 (120V)  
 (277V)  
 (347V)

STEM=S+Lgth  
(Example: S-96")  
CHAIN=C+Lgth  
(Example: C-96")  
NR=Not required

OPTIONS  
(Example: DIM, REM)

MODIFICATIONS  
(Example: Custom Paint)  
Use "Notes" Box At Top To Explain Modifications



2 -PC  
Fixture Number      Job Type

Job Name

Notes~Modifications

	Fixture Number	Dimensions	Lamping	Weight	Stem/Chain	Options
LED	<input type="checkbox"/> 201-PC	8w x 14h	2-13wLLED	10 lbs	3' Std	DALI, REM, FUS**
	<input type="checkbox"/> 202-PC	12w x 18h	4-13wLLED/1-38wCLED	12 lbs	6' Std	L423, L623
	<input type="checkbox"/> 203-PC	12w x 24h	6-13wLLED/1-38wCLED	14 lbs	9' Std	L423, L623, L311
	<input type="checkbox"/> 204-PC	14w x 30h	12-13wLLED/1-52wCLED	17 lbs	9' Std	L623, L823, L611
	<input type="checkbox"/> 205-PC	16w x 36h	18-13wLLED/1-52wCLED	20 lbs	12' Std	L623, L823, L611
INCANDESCENT	<input type="checkbox"/> 208-PC	8w x 14h	1-150wA	7 lbs	3' Std	N250
	<input type="checkbox"/> 210-PC	12w x 18h	3-75wA/1-250wP38	9 lbs	6' Std	N300
	<input type="checkbox"/> 212-PC	12w x 24h	6-75wA/1-250wP38	11 lbs	9' Std	N300
	<input type="checkbox"/> 214-PC	14w x 30h	6-75wA/1-500wR40	14 lbs	9' Std	N500
	<input type="checkbox"/> 216-PC	16w x 36h	9-75wA/1-500wR40	17 lbs	12' Std	N500
FLUORESCENT	<input type="checkbox"/> 209-PC	8w x 14h	1-42wCFT	9 lbs	3' Std	DIM, IEM, REM, FUS*
	<input type="checkbox"/> 211-PC	12w x 18h	2-42wCFT/2-42wCFTdn	11 lbs	6' Std	L311
	<input type="checkbox"/> 213-PC	12w x 24h	4-42wCFT/2-42wCFTdn	13 lbs	9' Std	L311
	<input type="checkbox"/> 215-PC	14w x 30h	6-FT40w/4-42wCFTdn	16 lbs	9' Std	L611
	<input type="checkbox"/> 217-PC	16w x 36h	6-FT50w/4-42wCFTdn	19 lbs	12' Std	L611

~Two Circuits Standard Wiring~

\*All Fluorescent Fixtures  
\*\*All LED Fixtures

DIFFUSER	<input type="checkbox"/> BGA: Beige Alabaster Acrylic	<input type="checkbox"/> GRA: Green Edge Acrylic	<input type="checkbox"/> ECH: Etched*
	<input type="checkbox"/> NHA: Natural Horn Acrylic	<input type="checkbox"/> HNA: Honey Alabaster Acrylic	*Etched option creates a matte, non-glossy finish on one side of the diffuser. (Example: WOA-ECH)
	<input type="checkbox"/> WHA: White Alabaster Acrylic	<input type="checkbox"/> WOA: White Opal Acrylic	

WOOD	<input type="checkbox"/> LOK: Light Oak	<input type="checkbox"/> LCH: Light Cherry
	<input type="checkbox"/> MOK: Medium Oak	<input type="checkbox"/> MCH: Medium Cherry
	<input type="checkbox"/> DOK: Dark Oak	<input type="checkbox"/> DCH: Dark Cherry

	SOLID BRASS FINISHES	PAINTED METAL FINISHES	ALUMINUM FINISHES	STAINLESS STEEL FINISHES
METAL FINISH	<input type="checkbox"/> ABB: Antique Brass	<input type="checkbox"/> DGP: Dark Green	<input type="checkbox"/> SAA: Satin Aluminum	<input type="checkbox"/> SSS: Satin
	<input type="checkbox"/> SBB: Satin Brass	<input type="checkbox"/> VGP: Verde Green	<input type="checkbox"/> SNA: Satin Nickel	<input type="checkbox"/> DSS: Distressed
	<input type="checkbox"/> PBB: Polished Brass	<input type="checkbox"/> CGP: Charcoal Gray	<input type="checkbox"/> PAA: Polished Aluminum	<input type="checkbox"/> PSS: Polished
	<input type="checkbox"/> ANB: Antique Nickel	<input type="checkbox"/> MBP: Medium Bronze	<input type="checkbox"/> BBA: Burnished Bronze	<input type="checkbox"/> HSS: Hammered
	<input type="checkbox"/> SNB: Satin Nickel	<input type="checkbox"/> SBP: Satin Black	<input type="checkbox"/> RNA: Red Naval Bronze	
	<input type="checkbox"/> PNB: Polished Nickel	<input type="checkbox"/> DBP: Dark Bronze	<input type="checkbox"/> SGA: Satin Gold	
	<input type="checkbox"/> AZB: Antique Bronze	<input type="checkbox"/> LBP: Light Bronze	<input type="checkbox"/> SBA: Satin Bronze	
	<input type="checkbox"/> SZB: Satin Bronze	<input type="checkbox"/> MGP: Medium Gold	<input type="checkbox"/> ORA: Oil Rubbed Bronze	
	<input type="checkbox"/> PZB: Polished Bronze	<input type="checkbox"/> SCP: Sponged Copper	<input type="checkbox"/> SCA: Satin Copper	
	<input type="checkbox"/> CSB: Custom Brass*	<input type="checkbox"/> CSP: Custom Paint*	<input type="checkbox"/> CSA: Custom Aluminum*	<input type="checkbox"/> CSS: Custom SS*

OPTIONS	<input type="checkbox"/> N250: 250wPar38 Downlight	<input type="checkbox"/> L311: 3-11wCLED Uplight	<input type="checkbox"/> FUS: Fusing
	<input type="checkbox"/> N300: 300wPar56 Downlight	<input type="checkbox"/> L611: 6-11wCLED Uplight	<input type="checkbox"/> IEM: Integral Emer.Ballast
	<input type="checkbox"/> N500: 500wPar56 Downlight	<input type="checkbox"/> L423: 4-23wCLED Downlight	<input type="checkbox"/> DALI: Dali dimming LED
	<input type="checkbox"/> DIM: Dimming Ballast	<input type="checkbox"/> L623: 6-23wCLED Downlight	
	<input type="checkbox"/> REM: Remote Emer.Ballast	<input type="checkbox"/> L823: 8-23wCLED Downlight	