



Hanover

1701-PC~1749-PC

Our Hanover fixtures are bold designs, projecting light from tilted triangular panels onto the floor below. The overall frame is an inverted octagonal sheet metal pyramid that is accented by a square bar stock reveal running around the upper perimeter. These lights offer a wide variety of finish and diffuser options as well as long-life modular LED lamping for sanctuaries where maintenance may be difficult because of seating locations. Wooden crosses are optional as are the perforated nextel bottom lenses. Elegant fixtures designed to enhance beautiful places!

~Hanover Series~

Chandelier: 1741-CHC~1773-CHC

Pendant: 1701-PC~1749-PC

Ceiling Mount: 1701-CC~1725-CC

Wall Mount: 1701-WC~1731-WC

S-Pendant: 1701-SC~1725-SC

Mounting: Lightsmith fixtures mount to standard 4" octagon electrical boxes unless otherwise specified. All hardware and canopies supplied.

Listing and Warranty: Lightsmith fixtures are Underwriters Laboratories listed and carry a standard three year warranty against defects in materials and labor beginning at date of shipment.



Fixture Specifications

17__-PC ~

FIXTURE NUMBER
(Example: 1701-PC)

DIFFUSER
(Example: BGA-ECH)

WOOD FINISH
(Example: MOK)

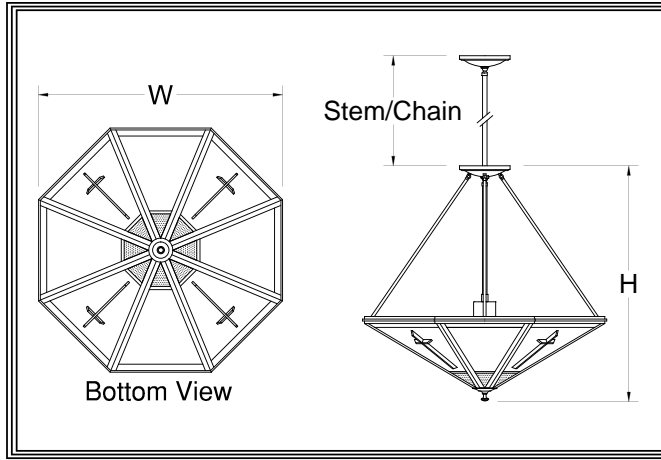
METAL FINISH
(Example: ABB)

VOLTAGE
 (120V)
 (277V)
 (347V)

STEM=S+Lgth
(Example: S-96")
CHAIN=C+Lgth
(Example: C-96")
NR=Not required

OPTIONS
(Example: DIM,REM)

MODIFICATIONS
(Example: Custom Paint)
Use "Notes" Box At Top To Explain Modifications



17__-PC

Fixture Number

Job Type

Job Name

Notes~Modifications

	Fixture Number	Dimensions	Lamping	Weight	Stem/Chain	Options
LED	<input type="checkbox"/> 1701-PC	16w x 14h	4-13wCLED	18 lbs	3' Std	DALI,IEM,TPL,FUS**
	<input type="checkbox"/> 1702-PC	24w x 20h	6-13wCLED	23 lbs	6' Std	L423,L623
	<input type="checkbox"/> 1703-PC	30w x 26h	4-23wCLED	25 lbs	9' Std	L423,L623,L311
	<input type="checkbox"/> 1704-PC	36w x 32h	4-38wCLED	28 lbs	9' Std	L623,L823,L611
	<input type="checkbox"/> 1705-PC	48w x 40h	6-52wCLED	33 lbs	12' Std	L623,L823,L611
INCANDESCENT	<input type="checkbox"/> 1716-PC	16w x 14h	3-100wA	15 lbs	3' Std	N250
	<input type="checkbox"/> 1724-PC	24w x 20h	3-150wA	20 lbs	6' Std	N300
	<input type="checkbox"/> 1730-PC	30w x 26h	6-100wA	22 lbs	9' Std	N300
	<input type="checkbox"/> 1736-PC	36w x 32h	6-150wA	25 lbs	9' Std	N500
	<input type="checkbox"/> 1748-PC	48w x 40h	12-150wA	30 lbs	12' Std	N500
FLUORESCENT	<input type="checkbox"/> 1717-PC	16w x 14h	2-42wCFT	17 lbs	3' Std	DIM,IEM,TPL,FUS*
	<input type="checkbox"/> 1725-PC	24w x 20h	4-42wCFT	22 lbs	6' Std	F242
	<input type="checkbox"/> 1731-PC	30w x 26h	6-42wCFT	24 lbs	9' Std	F242
	<input type="checkbox"/> 1737-PC	36w x 32h	6-FT40w	27 lbs	9' Std	F442
	<input type="checkbox"/> 1749-PC	48w x 40h	8-FT50w	32 lbs	12' Std	F442

~Two Circuits Standard Wiring~

*All Fluorescent Fixtures
**All LED Fixtures

DIFFUSER	<input type="checkbox"/> BGA: Beige Alabaster Acrylic	<input type="checkbox"/> GRA: Green Edge Acrylic	<input type="checkbox"/> ECH: Etched*
	<input type="checkbox"/> NHA: Natural Horn Acrylic	<input type="checkbox"/> HNA: Honey Alabaster Acrylic	*Etched option creates a matte, non-glossy finish on one side of the diffuser. (Example: WOA-ECH)
	<input type="checkbox"/> WHA: White Alabaster Acrylic	<input type="checkbox"/> WOA: White Opal Acrylic	

WOOD	<input type="checkbox"/> LOK: Light Oak	<input type="checkbox"/> LCH: Light Cherry
	<input type="checkbox"/> MOK: Medium Oak	<input type="checkbox"/> MCH: Medium Cherry
	<input type="checkbox"/> DOK: Dark Oak	<input type="checkbox"/> DCH: Dark Cherry

	SOLID BRASS FINISHES	PAINTED METAL FINISHES	ALUMINUM FINISHES	STAINLESS STEEL FINISHES
METAL FINISH	<input type="checkbox"/> ABB: Antique Brass	<input type="checkbox"/> DGP: Dark Green	<input type="checkbox"/> SAA: Satin Aluminum	<input type="checkbox"/> SSS: Satin
	<input type="checkbox"/> SBB: Satin Brass	<input type="checkbox"/> VGP: Verde Green	<input type="checkbox"/> SNA: Satin Nickel	<input type="checkbox"/> DSS: Distressed
	<input type="checkbox"/> PBB: Polished Brass	<input type="checkbox"/> CGP: Charcoal Gray	<input type="checkbox"/> PAA: Polished Aluminum	<input type="checkbox"/> PSS: Polished
	<input type="checkbox"/> ANB: Antique Nickel	<input type="checkbox"/> MBP: Medium Bronze	<input type="checkbox"/> BBA: Burnished Bronze	<input type="checkbox"/> HSS: Hammered
	<input type="checkbox"/> SNB: Satin Nickel	<input type="checkbox"/> SBP: Satin Black	<input type="checkbox"/> RNA: Red Naval Bronze	<input type="checkbox"/>
	<input type="checkbox"/> PNB: Polished Nickel	<input type="checkbox"/> DBP: Dark Bronze	<input type="checkbox"/> SGA: Satin Gold	<input type="checkbox"/>
	<input type="checkbox"/> AZB: Antique Bronze	<input type="checkbox"/> LBP: Light Bronze	<input type="checkbox"/> SBA: Satin Bronze	<input type="checkbox"/>
	<input type="checkbox"/> SZB: Satin Bronze	<input type="checkbox"/> MGP: Medium Gold	<input type="checkbox"/> ORA: Oil Rubbed Bronze	<input type="checkbox"/>
	<input type="checkbox"/> PZB: Polished Bronze	<input type="checkbox"/> SCP: Sponged Copper	<input type="checkbox"/> SCA: Satin Copper	<input type="checkbox"/>
	<input type="checkbox"/> CSB: Custom Brass*	<input type="checkbox"/> CSP: Custom Paint*	<input type="checkbox"/> CSA: Custom Aluminum*	<input type="checkbox"/>
	<input type="checkbox"/>			<input type="checkbox"/> CSS: Custom SS*

OPTIONS	<input type="checkbox"/> N250: 250wPar38 Downlight	<input type="checkbox"/> L311: 3-11wCLED Uplight	<input type="checkbox"/> FUS: Fusing
	<input type="checkbox"/> N300: 300wPar56 Downlight	<input type="checkbox"/> L611: 6-11wCLED Uplight	<input type="checkbox"/> IEM: Integral Emer.Ballast
	<input type="checkbox"/> N500: 500wPar56 Downlight	<input type="checkbox"/> L423: 4-23wCLED Downlight	<input type="checkbox"/> DALI: Dali dimming LED
	<input type="checkbox"/> DIM: Dimming Ballast	<input type="checkbox"/> L623: 6-23wCLED Downlight	<input type="checkbox"/> F242: 2-42wCFT Downlight
	<input type="checkbox"/> TPL: Top Lens	<input type="checkbox"/> L823: 8-23wCLED Downlight	<input type="checkbox"/> F442: 4-42wCFT Downlight