



Lemaire

1202-SC~1216-SC

Our Lemaire fixtures are made from real inch-thick glass. We surround the glass in epoxy and mount it between oak or cherry wood staves. This glass gives more than just a splash of color, it defines the room with its colorful nature. The faceted glass panels are random colors unless otherwise specified. If you have red carpet, or blue walls, etc, tell us and we'll blend those colors into the mix as predominants. Other than the glass; wood and metal finishes are all optional...mix away. These lights are beautiful, almost rainbow beautiful. And our LED lampings will keep them bright for a long time.

~Lemaire Series~

Chandelier:1241-CHC~1273-CHC

Pendant:1201-PC~1217-PC

Ceiling Mount:1202-CC~1213-CC

Wall Mount:1201-WC~1213-WC

S-Pendant:1202-SC~1216-SC

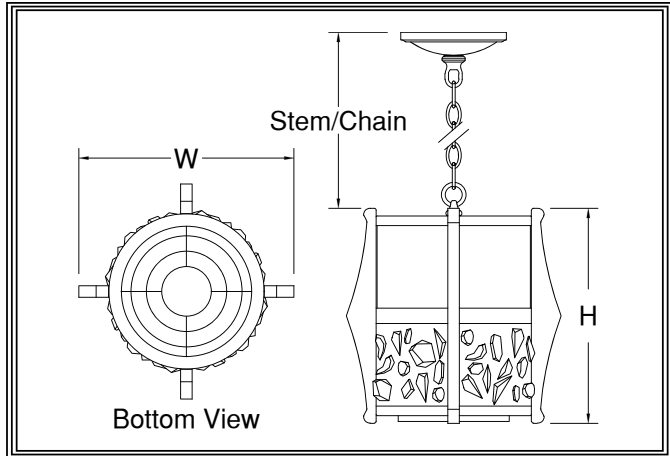
Mounting: Lightsmith fixtures mount to standard 4" octagon electrical boxes unless otherwise specified. All hardware and canopies supplied.

Listing and Warranty: Lightsmith fixtures are Underwriters Laboratories listed and carry a standard three year warranty against defects in materials and labor beginning at date of shipment.



Fixture Specifications

12 -SC	~		~		~		~		~		~	
FIXTURE NUMBER (Example: 1202-SC)		DIFFUSER (Example: BGA-ECH)		METAL FINISH (Example: ABB)		VOLTAGE <input type="checkbox"/> (120V) <input type="checkbox"/> (277V) <input type="checkbox"/> (347V)		STEM=S+Lgth (Example: S-96") CHAIN=C+Lgth (Example: C-96") NR=Not required		OPTIONS (Example: DIM, REM)		MODIFICATIONS (Example: Custom Paint) Use "Notes" Box At Top To Explain Modifications



12 -SC

Fixture Number Job Type

Job Name

Notes~Modifications

	Fixture Number	Dimensions	Lamping	Weight	Stem/Chain	Options
LED	<input type="checkbox"/> 1202-SC	14w x 14h	2-13wL(2820 lm)/1-23wC(2790 lm)	12 lbs	3' Std	L313
	<input type="checkbox"/> 1203-SC	16w x 14h	4-13wL(5640 lm)/1-38wC(5734 lm)	15 lbs	3' Std	L323 IEM, REM, SPR**
INCANDESCENT	<input type="checkbox"/> 1214-SC	14w x 14h	3-60wA(2400 lm)/1-150wP38(1700 lm)	11 lbs	3' Std	L38, L310
	<input type="checkbox"/> 1216-SC	16w x 14h	3-100wA(5220 lm)/1-250wP38(3600 lm)	14 lbs	3' Std	L52, L315
FLUORESCENT	<input type="checkbox"/>					

~Two Circuits Standard Wiring~

**All LED Fixtures

DIFFUSER	<input type="checkbox"/> BGA: Beige Alabaster Acrylic	<input type="checkbox"/> GRA: Green Edge Acrylic	<input type="checkbox"/> ECH: Etched*
	<input type="checkbox"/> NHA: Natural Horn Acrylic	<input type="checkbox"/> EGA: Earth Green Acrylic	*Etched option creates a matte, non-glossy finish on one side of the diffuser. (Example: WOA-ECH)
	<input type="checkbox"/> WHA: White Alabaster Acrylic	<input type="checkbox"/> DGA: Deep Gold Acrylic	
	<input type="checkbox"/> HNA: Honey Alabaster Acrylic	<input type="checkbox"/> SBA: Sea Blue Acrylic	
	<input type="checkbox"/> WOA: White Opal Acrylic	<input type="checkbox"/> PHA: Purple Haze Acrylic	

	SOLID BRASS FINISHES	PAINTED METAL FINISHES	ALUMINUM FINISHES	STAINLESS STEEL FINISHES
METAL FINISH	<input type="checkbox"/> ABB: Antique Brass	<input type="checkbox"/> DGP: Dark Green	<input type="checkbox"/> SAA: Satin Aluminum	<input type="checkbox"/> SSS: Satin
	<input type="checkbox"/> SBB: Satin Brass	<input type="checkbox"/> VGP: Verde Green	<input type="checkbox"/> SNA: Satin Nickel	<input type="checkbox"/> DSS: Distressed
	<input type="checkbox"/> PBB: Polished Brass	<input type="checkbox"/> CGP: Charcoal Gray	<input type="checkbox"/> PAA: Polished Aluminum	<input type="checkbox"/> PSS: Polished
	<input type="checkbox"/> ANB: Antique Nickel	<input type="checkbox"/> MBP: Medium Bronze	<input type="checkbox"/> BBA: Burnished Bronze	<input type="checkbox"/> HSS: Hammered
	<input type="checkbox"/> SNB: Satin Nickel	<input type="checkbox"/> SBP: Satin Black	<input type="checkbox"/> RNA: Red Naval Bronze	<input type="checkbox"/>
	<input type="checkbox"/> PNB: Polished Nickel	<input type="checkbox"/> DBP: Dark Bronze	<input type="checkbox"/> SGA: Satin Gold	<input type="checkbox"/>
	<input type="checkbox"/> AZB: Antique Bronze	<input type="checkbox"/> LBP: Light Bronze	<input type="checkbox"/> SBA: Satin Bronze	<input type="checkbox"/>
	<input type="checkbox"/> SZB: Satin Bronze	<input type="checkbox"/> MGP: Medium Gold	<input type="checkbox"/> ORA: Oil Rubbed Bronze	<input type="checkbox"/>
	<input type="checkbox"/> PZB: Polished Bronze	<input type="checkbox"/> SCP: Sponged Copper	<input type="checkbox"/> SCA: Satin Copper	<input type="checkbox"/>
	<input type="checkbox"/> CSB: Custom Brass*	<input type="checkbox"/> CSP: Custom Paint*	<input type="checkbox"/> CSA: Custom Aluminum*	<input type="checkbox"/>
				<input type="checkbox"/> CSS: Custom SS*

OPTIONS	<input type="checkbox"/> L38: 38wLED R40 Downlight	<input type="checkbox"/> L313: 3-13wCLED Uplight	<input type="checkbox"/> SPR: Surge protector
	<input type="checkbox"/> L52: 52wLED R40 Downlight	<input type="checkbox"/> L323: 3-23wCLED Uplight	<input type="checkbox"/> IEM: Integral Emer. Driver
	<input type="checkbox"/> DIM: Dimming Driver (std)	<input type="checkbox"/> L310: 3-10wLED A-lamp	<input type="checkbox"/>
	<input type="checkbox"/> REM: Remote Emer.Driver	<input type="checkbox"/> L315: 3-15wLED A-lamp	<input type="checkbox"/>
	<input type="checkbox"/>	<input type="checkbox"/>	<input type="checkbox"/>