



Monticello

141-CHC~173-CHC

Our Monticello fixtures are hand built...one at a time...in our shop here in Lynchburg. The wood staves are kiln-dried, shaped and fine-sanded before being stained and lacquered. The spun rings are satin finished and then powdercoated for ultimate durability. Seamless acrylic cylinders sit between the rings. We offer our Monticello lights in a variety of wood and metal finishes. Custom stains available! And our lamplung options are pretty incredible. Choose our LED options and you can pretty much forget about maintenance for the next 20 years or so. Nothing better!

~Monticello Series~

Chandelier: 141-CHC~173-CHC

Pendant: 101-PC~117-PC

Ceiling Mount: 104-CC~117-CC

Wall Mount: 101-WC~113-WC

S-Pendant: 103-SC~115-SC

Mounting: Lightsmith fixtures mount to standard 4" octagon electrical boxes unless otherwise specified. All hardware and canopies supplied.

Listing and Warranty: Lightsmith fixtures are Underwriters Laboratories listed and carry a standard three year warranty against defects in materials and labor beginning at date of shipment.

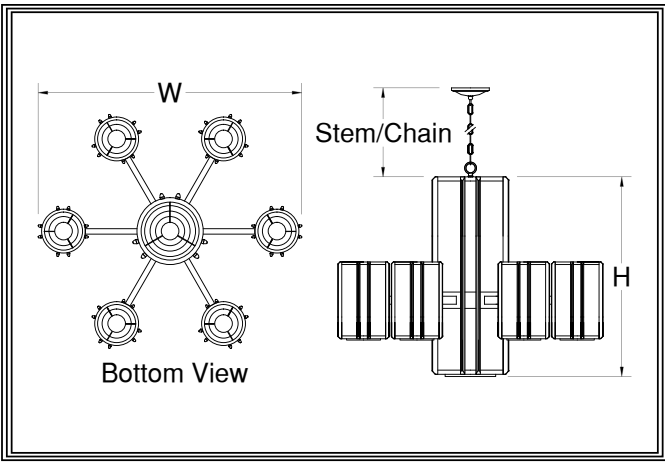


1 ___ -CHC []
 Fixture Number Job Type

[]
 Job Name

[]

Notes~Modifications



	Fixture Number	Dimensions	Lamping	Weight	Stem/Chain	Options
LED	<input type="checkbox"/> 141-CHC	48w x 36h	12-13wLLED/1-52wCLED: Ctr 6-13wLLED/6-23wCLED: Arm	58 lbs	12' Std	L423,L623,L311
	<input type="checkbox"/> 171-CHC	72w x 42h	18-13wLLED/6-23wCLED: Ctr 12-13wLLED/6-23wCLED: Arm	74 lbs	12' Std	L823,L611 DALI,IEM,FUS**
INCANDESCENT	<input type="checkbox"/> 148-CHC	48w x 36h	6-75wA/1-500wR40: Ctr 6-75wA/6-150wP38: Arm	48 lbs	12' Std	N250,N500
	<input type="checkbox"/> 172-CHC	72w x 42h	9-75wA/1-500wR52: Ctr 6-75wA/6-300wR40: Arm	64 lbs	12' Std	N300,N500
FLUORESCENT	<input type="checkbox"/> 149-CHC	48w x 36h	6-FT36w/4-32wCFT: Ctr 6/32wCFT/6-32wCFT: Arm	56 lbs	12' Std	L311
	<input type="checkbox"/> 173-CHC	72w x 42h	6-FT50w/4-42wCFT: Ctr 6/42wCFT/6-42wCFT: Arm	72 lbs	12' Std	L611 DIM,IEM,REM,FUS*

DIFFUSER	<input type="checkbox"/> BGA: Beige Alabaster Acrylic	<input type="checkbox"/> GRA: Green Edge Acrylic	<input type="checkbox"/> ECH: Etched*
	<input type="checkbox"/> NHA: Natural Horn Acrylic	<input type="checkbox"/> HNA: Honey Alabaster Acrylic	*Etched option creates a matte, non-glossy finish on one side of the diffuser. (Example: WOA-ECH)
	<input type="checkbox"/> WHA: White Alabaster Acrylic	<input type="checkbox"/> WOA: White Opal Acrylic	

WOOD	<input type="checkbox"/> LOK: Light Oak	<input type="checkbox"/> LCH: Light Cherry
	<input type="checkbox"/> MOK: Medium Oak	<input type="checkbox"/> MCH: Medium Cherry
	<input type="checkbox"/> DOK: Dark Oak	<input type="checkbox"/> DCH: Dark Cherry

	SOLID BRASS FINISHES	PAINTED METAL FINISHES	ALUMINUM FINISHES	STAINLESS STEEL FINISHES
METAL FINISH	<input type="checkbox"/> ABB: Antique Brass	<input type="checkbox"/> DGP: Dark Green	<input type="checkbox"/> SAA: Satin Aluminum	<input type="checkbox"/> SSS: Satin
	<input type="checkbox"/> SBB: Satin Brass	<input type="checkbox"/> VGP: Verde Green	<input type="checkbox"/> SNA: Satin Nickel	<input type="checkbox"/> DSS: Distressed
	<input type="checkbox"/> PBB: Polished Brass	<input type="checkbox"/> CGP: Charcoal Gray	<input type="checkbox"/> PAA: Polished Aluminum	<input type="checkbox"/> PSS: Polished
	<input type="checkbox"/> ANB: Antique Nickel	<input type="checkbox"/> MBP: Medium Bronze	<input type="checkbox"/> BBA: Burnished Bronze	<input type="checkbox"/> HSS: Hammered
	<input type="checkbox"/> SNB: Satin Nickel	<input type="checkbox"/> SBP: Satin Black	<input type="checkbox"/> RNA: Red Naval Bronze	<input type="checkbox"/>
	<input type="checkbox"/> PNB: Polished Nickel	<input type="checkbox"/> DBP: Dark Bronze	<input type="checkbox"/> SGA: Satin Gold	<input type="checkbox"/>
	<input type="checkbox"/> AZB: Antique Bronze	<input type="checkbox"/> LBP: Light Bronze	<input type="checkbox"/> SBA: Satin Bronze	<input type="checkbox"/>
	<input type="checkbox"/> SZB: Satin Bronze	<input type="checkbox"/> MGP: Medium Gold	<input type="checkbox"/> ORA: Oil Rubbed Bronze	<input type="checkbox"/>
	<input type="checkbox"/> PZB: Polished Bronze	<input type="checkbox"/> SCP: Sponged Copper	<input type="checkbox"/> SCA: Satin Copper	<input type="checkbox"/>
	<input type="checkbox"/> CSB: Custom Brass*	<input type="checkbox"/> CSP: Custom Paint*	<input type="checkbox"/> CSA: Custom Aluminum*	<input type="checkbox"/>
				<input type="checkbox"/> CSS: Custom SS*

OPTIONS	<input type="checkbox"/> N250: 250wPar38 Downlight	<input type="checkbox"/> L311: 3-11wCLED Uplight	<input type="checkbox"/> FUS: Fusing
	<input type="checkbox"/> N300: 300wPar56 Downlight	<input type="checkbox"/> L611: 6-11wCLED Uplight	<input type="checkbox"/> IEM: Integral Emer.Ballast
	<input type="checkbox"/> N500: 500wPar56 Downlight	<input type="checkbox"/> L423: 4-23wCLED Downlight	<input type="checkbox"/> DALI: Dali dimming LED
	<input type="checkbox"/> DIM: Dimming Ballast	<input type="checkbox"/> L623: 6-23wCLED Downlight	<input type="checkbox"/>
	<input type="checkbox"/> REM: Remote Emer.Ballast	<input type="checkbox"/> L823: 8-23wCLED Downlight	<input type="checkbox"/>
			<input type="checkbox"/>
			<input type="checkbox"/>

1 ___ -CHC [] [] [] [] [] [] []

FIXTURE NUMBER DIFFUSER WOOD FINISH METAL FINISH VOLTAGE STEM=S+Lgth OPTIONS MODIFICATIONS

(Example: 148-CHC) (Example: BGA-ECH) (Example: MOK) (Example: ABB) (120V) (Example: S-96") (Example: DIM,REM) (Example: Custom Paint*)

(277V) CHAIN=C+Lgth Use "Notes" Box At Top To

(347V) (Example: C-96") Explain Modifications

NR=Not required

