



**Waterford**

**PD-9900~PD-9931**

Our Waterford fixtures are clean lined acrylic bowls supported by interlocking arches. The arches can be aluminum or brass bar stock. They are curved into a tight radius around the bowl and actually form a four-fingered cradle of dynamic support for the bowl itself as well as defining the entire look of the fixtures. These arches are at once decorative and very utilitarian in nature. The Waterford series is a beautiful, almost pristine group of sconces and pendants. They can bring emphasis and a feeling of clarity and enchantment to the majority of spaces they inhabit. Grand lights for great places!

**~Waterford Series~**

- Chandelier: CH-9900~CH-9911
- Pendant: PD-9900~PD-9931
- Ceiling Mount: CL-9900~CL-9908
- Wall Mount: SC-9900~SC-9911
- Bollard: BL-9900~BL-9911

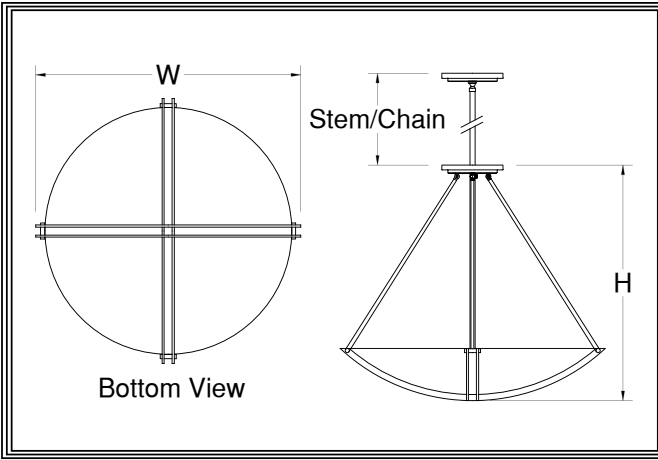
**Mounting:** Lightsmith fixtures mount to standard 4" octagon electrical boxes unless otherwise specified. All hardware and canopies supplied.

**Listing and Warranty:** Lightsmith fixtures are Underwriters Laboratories listed and carry a standard three year warranty against defects in materials and labor beginning at date of shipment.



**Fixture Specifications**

<b>PD-99</b> <small>FIXTURE NUMBER (Example: PD-9900)</small>	~	<small>DIFFUSER (Example: BGA-ECH)</small>	~	<small>METAL FINISH (Example: ABB)</small>	~	<small>VOLTAGE  <input type="checkbox"/> (120V)  <input type="checkbox"/> (277V)  <input type="checkbox"/> (347V)         </small>	~	<small>STEM=S+Lgth (Example: S-96")          CHAIN=C+Lgth (Example: C-96")          NR=Not required         </small>	~	<small>OPTIONS (Example: DIM, REM)</small>	~	<small>MODIFICATIONS (Example: Custom Paint)          Use "Notes" Box At Top To Explain Modifications         </small>
--	---	--	---	--	---	--	---	--	---	--	---	--



**PD-99** Job Type

Fixture Number Job Name

---

Job Name

Notes~Modifications

	Fixture Number	Dimensions	Lamping	Weight	Stem/Chain	Options
LED	<input type="checkbox"/> PD-9909	20w x 22h	4-13wCLED	13 lbs	3' Std	DALI,IEM,TPL,FUS**
	<input type="checkbox"/> PD-9910	26w x 28h	6-13wCLED	16 lbs	6' Std	L423,L623
	<input type="checkbox"/> PD-9911	33w x 35h	4-23wCLED	20 lbs	9' Std	L423,L623,L311
	<input type="checkbox"/> PD-9912	40w x 42h	4-38wCLED	24 lbs	9' Std	L623,L823,L611
	<input type="checkbox"/> PD-9913	46w x 48h	6-52wCLED	31 lbs	12' Std	L623,L823,L611
INCANDESCENT	<input type="checkbox"/> PD-9920	20w x 22h	3-100wA	11 lbs	3' Std	N250
	<input type="checkbox"/> PD-9900	26w x 28h	3-150wA	14 lbs	6' Std	N300
	<input type="checkbox"/> PD-9921	33w x 35h	6-100wA	16 lbs	9' Std	N300
	<input type="checkbox"/> PD-9901	40w x 42h	6-150wA	19 lbs	9' Std	N500
	<input type="checkbox"/> PD-9902	46w x 48h	12-150wA	25 lbs	12' Std	N500
FLUORESCENT	<input type="checkbox"/> PD-9930	20w x 22h	2-42wCFT	12 lbs	3' Std	DIM,IEM,TPL,FUS*
	<input type="checkbox"/> PD-9903	26w x 28h	4-42wCFT	15 lbs	6' Std	F242
	<input type="checkbox"/> PD-9931	33w x 35h	6-42wCFT	18 lbs	9' Std	F242
	<input type="checkbox"/> PD-9904	40w x 42h	8-42wCFT	22 lbs	9' Std	F442
	<input type="checkbox"/> PD-9905	46w x 48h	10-42wCFT	28 lbs	12' Std	F442

~Two Circuits Standard Wiring~

\*All Fluorescent Fixtures  
\*\*All LED Fixtures

DIFFUSER	<input type="checkbox"/> <b>BGA:</b> Beige Alabaster Acrylic	<input type="checkbox"/> <b>GRA:</b> Green Edge Acrylic	<input type="checkbox"/> <b>ECH:</b> Etched*
	<input type="checkbox"/> <b>NHA:</b> Natural Horn Acrylic	<input type="checkbox"/> <b>EGA:</b> Earth Green Acrylic	*Etched option creates a matte, non-glossy finish on one side of the diffuser. (Example: WOA-ECH)
	<input type="checkbox"/> <b>WHA:</b> White Alabaster Acrylic	<input type="checkbox"/> <b>DGA:</b> Deep Gold Acrylic	
	<input type="checkbox"/> <b>HNA:</b> Honey Alabaster Acrylic	<input type="checkbox"/> <b>SBA:</b> Sea Blue Acrylic	
	<input type="checkbox"/> <b>WOA:</b> White Opal Acrylic	<input type="checkbox"/> <b>PHA:</b> Purple Haze Acrylic	

	SOLID BRASS FINISHES	PAINTED METAL FINISHES	ALUMINUM FINISHES	STAINLESS STEEL FINISHES
METAL FINISH	<input type="checkbox"/> <b>ABB:</b> Antique Brass	<input type="checkbox"/> <b>DGP:</b> Dark Green	<input type="checkbox"/> <b>SAA:</b> Satin Aluminum	<input type="checkbox"/> <b>SSS:</b> Satin
	<input type="checkbox"/> <b>SBB:</b> Satin Brass	<input type="checkbox"/> <b>VGP:</b> Verde Green	<input type="checkbox"/> <b>SNA:</b> Satin Nickel	<input type="checkbox"/> <b>DSS:</b> Distressed
	<input type="checkbox"/> <b>PBB:</b> Polished Brass	<input type="checkbox"/> <b>CGP:</b> Charcoal Gray	<input type="checkbox"/> <b>PAA:</b> Polished Aluminum	<input type="checkbox"/> <b>PSS:</b> Polished
	<input type="checkbox"/> <b>ANB:</b> Antique Nickel	<input type="checkbox"/> <b>MBP:</b> Medium Bronze	<input type="checkbox"/> <b>BBA:</b> Burnished Bronze	<input type="checkbox"/> <b>HSS:</b> Hammered
	<input type="checkbox"/> <b>SNB:</b> Satin Nickel	<input type="checkbox"/> <b>SBP:</b> Satin Black	<input type="checkbox"/> <b>RNA:</b> Red Naval Bronze	<input type="checkbox"/>
	<input type="checkbox"/> <b>PNB:</b> Polished Nickel	<input type="checkbox"/> <b>DBP:</b> Dark Bronze	<input type="checkbox"/> <b>SGA:</b> Satin Gold	<input type="checkbox"/>
	<input type="checkbox"/> <b>AZB:</b> Antique Bronze	<input type="checkbox"/> <b>LBP:</b> Light Bronze	<input type="checkbox"/> <b>SBA:</b> Satin Bronze	<input type="checkbox"/>
	<input type="checkbox"/> <b>SZB:</b> Satin Bronze	<input type="checkbox"/> <b>MGP:</b> Medium Gold	<input type="checkbox"/> <b>ORA:</b> Oil Rubbed Bronze	<input type="checkbox"/>
	<input type="checkbox"/> <b>PZB:</b> Polished Bronze	<input type="checkbox"/> <b>SCP:</b> Sponged Copper	<input type="checkbox"/> <b>SCA:</b> Satin Copper	<input type="checkbox"/>
	<input type="checkbox"/> <b>CSB:</b> Custom Brass*	<input type="checkbox"/> <b>CSP:</b> Custom Paint*	<input type="checkbox"/> <b>CSA:</b> Custom Aluminum*	<input type="checkbox"/> <b>CSS:</b> Custom SS*

OPTIONS	<input type="checkbox"/> <b>N250:</b> 250wPar38 Downlight	<input type="checkbox"/> <b>L311:</b> 3-11wCLED Uplight	<input type="checkbox"/> <b>FUS:</b> Fusing
	<input type="checkbox"/> <b>N300:</b> 300wPar56 Downlight	<input type="checkbox"/> <b>L611:</b> 6-11wCLED Uplight	<input type="checkbox"/> <b>IEM:</b> Integral Emer.Ballast
	<input type="checkbox"/> <b>N500:</b> 500wPar56 Downlight	<input type="checkbox"/> <b>L423:</b> 4-23wCLED Downlight	<input type="checkbox"/> <b>DALI:</b> Dali dimming LED
	<input type="checkbox"/> <b>DIM:</b> Dimming Ballast	<input type="checkbox"/> <b>L623:</b> 6-23wCLED Downlight	<input type="checkbox"/> <b>F242:</b> 2-42wCFT Downlight
	<input type="checkbox"/> <b>TPL:</b> Top Lens	<input type="checkbox"/> <b>L823:</b> 8-23wCLED Downlight	<input type="checkbox"/> <b>F442:</b> 4-42wCFT Downlight