



# Blake

## PD-9800~PD-9831

Our Blake fixtures are lean metal staves attached to hand spun metal trim rings. Interior light passes through a translucent acrylic cylinder lens to produce a smooth and inviting glow, while downlight options in the pendants of the series can throw lots of footcandles to the floor below for very comfortable reading levels. The combination of interior and down light, make for a totally functional luminaire in even the dimmest of places. Be sure to try our CFL and LED options. They will make life much easier for a busy maintenance staff. Blake is good to look at and easy to keep.

### ~Blake Series~

Chandelier: CH-9800~CH-9811

Pendant: PD-9800~PD-9831

Ceiling Mount: CL-9800~CL-9808

Wall Mount: SC-9800~SC-9811

Bollard: BL-9800~BL-9811

**Mounting:** Lightsmith fixtures mount to standard 4" octagon electrical boxes unless otherwise specified. All hardware and canopies supplied.

**Listing and Warranty:** Lightsmith fixtures are Underwriters Laboratories listed and carry a standard three year warranty against defects in materials and labor beginning at date of shipment.



## Fixture Specifications

PD-98

FIXTURE NUMBER  
(Example: PD-9800)

DIFFUSER  
(Example: BGA-ECH)

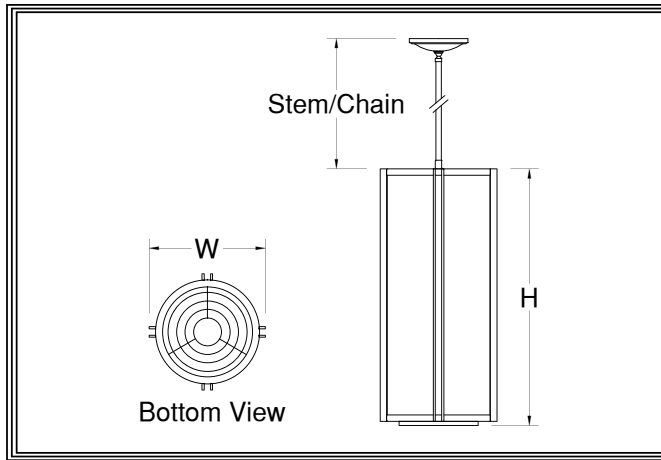
METAL FINISH  
(Example: ABB)

VOLTAGE  
 (120V)  
 (277V)  
 (347V)

STEM=S+Lgth  
(Example: S-96")  
CHAIN=C+Lgth  
(Example: C-96")  
NR=Not required

OPTIONS  
(Example: DIM, REM)

MODIFICATIONS  
(Example: Custom Paint\*)  
Use "Notes" Box At Top To Explain Modifications



PD-98

Fixture Number

Job Type

Job Name

Notes~Modifications

	Fixture Number	Dimensions	Lamping	Weight	Stem/Chain	Options
LED	<input type="checkbox"/> PD-9809	10w x 14h	2-13wLLED	11 lbs	3' Std	DALI, REM, FUS**
	<input type="checkbox"/> PD-9810	12w x 18h	4-13wLLED/1-38wCLED	18 lbs	6' Std	L423, L623
	<input type="checkbox"/> PD-9811	12w x 24h	6-13wLLED/1-38wCLED	22 lbs	9' Std	L423, L623, L311
	<input type="checkbox"/> PD-9812	14w x 30h	12-13wLLED/1-52wCLED	26 lbs	9' Std	L623, L823, L611
	<input type="checkbox"/> PD-9813	14w x 36h	18-13wLLED/1-52wCLED	31 lbs	12' Std	L623, L823, L611
INCANDESCENT	<input type="checkbox"/> PD-9820	10w x 14h	1-150wA	8 lbs	3' Std	N250
	<input type="checkbox"/> PD-9800	12w x 18h	3-75wA/1-250wP38	14 lbs	6' Std	N300
	<input type="checkbox"/> PD-9821	12w x 24h	6-75wA/1-250wP38	18 lbs	9' Std	N300
	<input type="checkbox"/> PD-9801	14w x 30h	6-75wA/1-500wR40	22 lbs	9' Std	N500
	<input type="checkbox"/> PD-9802	14w x 36h	9-75wA/1-500wR40	27 lbs	12' Std	N500
FLUORESCENT	<input type="checkbox"/> PD-9830	10w x 14h	1-42wCFT	10 lbs	3' Std	DIM, IEM, REM, FUS*
	<input type="checkbox"/> PD-9803	12w x 18h	2-42wCFT/2-42wCFTdn	17 lbs	6' Std	L311
	<input type="checkbox"/> PD-9831	12w x 24h	4-42wCFT/2-42wCFTdn	20 lbs	9' Std	L311
	<input type="checkbox"/> PD-9804	14w x 30h	6-FT40w/4-42wCFTdn	24 lbs	9' Std	L611
	<input type="checkbox"/> PD-9805	14w x 36h	6-FT50w/4-42wCFTdn	29 lbs	12' Std	L611

~Two Circuits Standard Wiring~

\*All Fluorescent Fixtures  
\*\*All LED Fixtures

DIFFUSER	<input type="checkbox"/> BGA: Beige Alabaster Acrylic	<input type="checkbox"/> GRA: Green Edge Acrylic	<input type="checkbox"/> ECH: Etched*
	<input type="checkbox"/> NHA: Natural Horn Acrylic	<input type="checkbox"/> EGA: Earth Green Acrylic	*Etched option creates a matte, non-glossy finish on one side of the diffuser. (Example: WOA-ECH)
	<input type="checkbox"/> WHA: White Alabaster Acrylic	<input type="checkbox"/> DGA: Deep Gold Acrylic	
	<input type="checkbox"/> HNA: Honey Alabaster Acrylic	<input type="checkbox"/> SBA: Sea Blue Acrylic	
	<input type="checkbox"/> WOA: White Opal Acrylic	<input type="checkbox"/> PHA: Purple Haze Acrylic	

	SOLID BRASS FINISHES	PAINTED METAL FINISHES	ALUMINUM FINISHES	STAINLESS STEEL FINISHES
METAL FINISH	<input type="checkbox"/> ABB: Antique Brass	<input type="checkbox"/> DGP: Dark Green	<input type="checkbox"/> SAA: Satin Aluminum	<input type="checkbox"/> SSS: Satin
	<input type="checkbox"/> SBB: Satin Brass	<input type="checkbox"/> VGP: Verde Green	<input type="checkbox"/> SNA: Satin Nickel	<input type="checkbox"/> DSS: Distressed
	<input type="checkbox"/> PBB: Polished Brass	<input type="checkbox"/> CGP: Charcoal Gray	<input type="checkbox"/> PAA: Polished Aluminum	<input type="checkbox"/> PSS: Polished
	<input type="checkbox"/> ANB: Antique Nickel	<input type="checkbox"/> MBP: Medium Bronze	<input type="checkbox"/> BBA: Burnished Bronze	<input type="checkbox"/> HSS: Hammered
	<input type="checkbox"/> SNB: Satin Nickel	<input type="checkbox"/> SBP: Satin Black	<input type="checkbox"/> RNA: Red Naval Bronze	<input type="checkbox"/>
	<input type="checkbox"/> PNB: Polished Nickel	<input type="checkbox"/> DBP: Dark Bronze	<input type="checkbox"/> SGA: Satin Gold	<input type="checkbox"/>
	<input type="checkbox"/> AZB: Antique Bronze	<input type="checkbox"/> LBP: Light Bronze	<input type="checkbox"/> SBA: Satin Bronze	<input type="checkbox"/>
	<input type="checkbox"/> SZB: Satin Bronze	<input type="checkbox"/> MGP: Medium Gold	<input type="checkbox"/> ORA: Oil Rubbed Bronze	<input type="checkbox"/>
	<input type="checkbox"/> PZB: Polished Bronze	<input type="checkbox"/> SCP: Sponged Copper	<input type="checkbox"/> SCA: Satin Copper	<input type="checkbox"/>
	<input type="checkbox"/> CSB: Custom Brass*	<input type="checkbox"/> CSP: Custom Paint*	<input type="checkbox"/> CSA: Custom Aluminum*	<input type="checkbox"/>
	<input type="checkbox"/>			<input type="checkbox"/> CSS: Custom SS*
	<input type="checkbox"/>			<input type="checkbox"/>
	<input type="checkbox"/>			<input type="checkbox"/>
	<input type="checkbox"/>			<input type="checkbox"/>

OPTIONS	<input type="checkbox"/> N250: 250wPar38 Downlight	<input type="checkbox"/> L311: 3-11wCLED Uplight	<input type="checkbox"/> FUS: Fusing
	<input type="checkbox"/> N300: 300wPar56 Downlight	<input type="checkbox"/> L611: 6-11wCLED Uplight	<input type="checkbox"/> IEM: Integral Emer.Ballast
	<input type="checkbox"/> N500: 500wPar56 Downlight	<input type="checkbox"/> L423: 4-23wCLED Downlight	<input type="checkbox"/> DALI: Dali dimming LED
	<input type="checkbox"/> DIM: Dimming Ballast	<input type="checkbox"/> L623: 6-23wCLED Downlight	<input type="checkbox"/>
	<input type="checkbox"/> REM: Remote Emer.Ballast	<input type="checkbox"/> L823: 8-23wCLED Downlight	<input type="checkbox"/>
	<input type="checkbox"/>		<input type="checkbox"/>
	<input type="checkbox"/>		<input type="checkbox"/>
	<input type="checkbox"/>		<input type="checkbox"/>