



# Lac Bay

## PD-9700~PD-9731

Our Lac Bay fixtures are blends of interlocking square metal bars and flat glass or acrylic side panels. They look best in libraries, we think. But, should you want to put them anywhere else, we will not complain. We can make Lac Bay fixtures in very large sizes because of the individual component structure. These fixtures are at heart an assembly of cut shapes...no art castings or bent glass...everything is straightforward contemporary construction. The plate at top of the pendant is for places with very dark ceilings...even black. It picks up fixture light and bounces it to the floor.

### ~Lac Bay Series~

- Chandelier: CH-9700~CH-9711
- Pendant: PD-9700~PD-9731
- Ceiling Mount: CL-9700~CL-9708
- Wall Mount: SC-9700~SC-9711
- Bollard: BL-9700~BL-9711

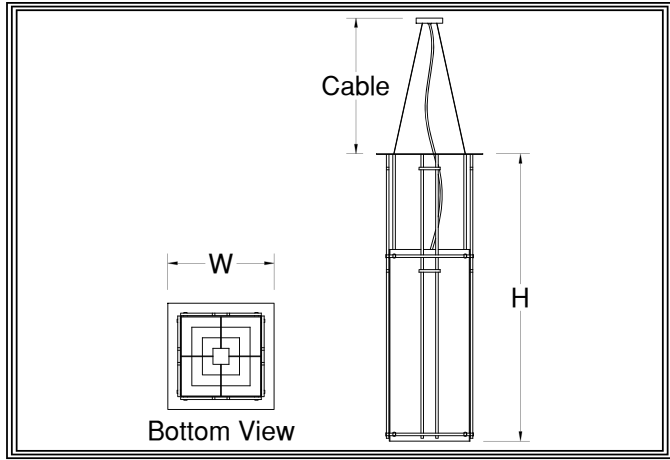
**Mounting:** Lightsmith fixtures mount to standard 4" octagon electrical boxes unless otherwise specified. All hardware and canopies supplied.

**Listing and Warranty:** Lightsmith fixtures are Underwriters Laboratories listed and carry a standard three year warranty against defects in materials and labor beginning at date of shipment.



## Fixture Specifications

<b>PD-97</b> <small>FIXTURE NUMBER (Example: PD-9700)</small>	~	<small>DIFFUSER (Example: BGA-ECH)</small>	~	<small>METAL FINISH (Example: ABB)</small>	~	<small>VOLTAGE  <input type="checkbox"/> (120V)  <input type="checkbox"/> (277V)  <input type="checkbox"/> (347V)         </small>	~	<small>STEM=S+Lgth (Example: S-96")          CHAIN=C+Lgth (Example: C-96")          NR=Not required         </small>	~	<small>OPTIONS (Example: DIM, REM)</small>	~	<small>MODIFICATIONS (Example: Custom Paint)          Use "Notes" Box At Top To Explain Modifications         </small>
--	---	--	---	--	---	--	---	--	---	--	---	--



**PD-97** \_\_\_\_\_

Fixture Number      Job Type

---

Job Name

---

Notes~Modifications

	Fixture Number	Dimensions	Lamping	Weight	Stem/Chain	Options
LED	<input type="checkbox"/> PD-9709	14w x 36h	2-13wLLED	33 lbs	3' Std	DALI, REM, FUS**
	<input type="checkbox"/> PD-9710	16w x 42h	4-13wLLED/1-38wCLED	54 lbs	6' Std	L423, L623
	<input type="checkbox"/> PD-9711	18w x 48h	6-13wLLED/1-38wCLED	66 lbs	9' Std	L423, L623, L311
	<input type="checkbox"/> PD-9712	20w x 54h	12-13wLLED/1-52wCLED	78 lbs	9' Std	L623, L823, L611
	<input type="checkbox"/> PD-9713	24w x 65h	18-13wLLED/1-52wCLED	93 lbs	12' Std	L623, L823, L611
INCANDESCENT	<input type="checkbox"/> PD-9720	14w x 36h	1-150wA	24 lbs	3' Std	N250
	<input type="checkbox"/> PD-9700	16w x 42h	3-75wA/1-250wP38	42 lbs	6' Std	N300
	<input type="checkbox"/> PD-9721	18w x 48h	6-75wA/1-250wP38	54 lbs	9' Std	N300
	<input type="checkbox"/> PD-9701	20w x 54h	6-75wA/1-500wR40	66 lbs	9' Std	N500
	<input type="checkbox"/> PD-9702	24w x 65h	9-75wA/1-500wR40	81 lbs	12' Std	N500
FLUORESCENT	<input type="checkbox"/> PD-9730	14w x 36h	1-42wCFT	30 lbs	3' Std	DIM, IEM, REM, FUS*
	<input type="checkbox"/> PD-9703	16w x 42h	2-42wCFT/2-42wCFTdn	51 lbs	6' Std	L311
	<input type="checkbox"/> PD-9731	18w x 48h	4-42wCFT/2-42wCFTdn	60 lbs	9' Std	L311
	<input type="checkbox"/> PD-9704	20w x 54h	6-FT40w/4-42wCFTdn	72 lbs	9' Std	L611
	<input type="checkbox"/> PD-9705	24w x 65h	6-FT50w/4-42wCFTdn	87 lbs	12' Std	L611

~Two Circuits Standard Wiring~

\*All Fluorescent Fixtures  
\*\*All LED Fixtures

DIFFUSER	<input type="checkbox"/> <b>BGA:</b> Beige Alabaster Acrylic	<input type="checkbox"/> <b>GRA:</b> Green Edge Acrylic	<input type="checkbox"/> <b>ECH:</b> Etched*
	<input type="checkbox"/> <b>NHA:</b> Natural Horn Acrylic	<input type="checkbox"/> <b>EGA:</b> Earth Green Acrylic	*Etched option creates a matte, non-glossy finish on one side of the diffuser. (Example: WOA-ECH)
	<input type="checkbox"/> <b>WHA:</b> White Alabaster Acrylic	<input type="checkbox"/> <b>DGA:</b> Deep Gold Acrylic	
	<input type="checkbox"/> <b>HNA:</b> Honey Alabaster Acrylic	<input type="checkbox"/> <b>SBA:</b> Sea Blue Acrylic	
	<input type="checkbox"/> <b>WOA:</b> White Opal Acrylic	<input type="checkbox"/> <b>GRG:</b> Green Edge Glass	

	SOLID BRASS FINISHES	PAINTED METAL FINISHES	ALUMINUM FINISHES	STAINLESS STEEL FINISHES
METAL FINISH	<input type="checkbox"/> <b>ABB:</b> Antique Brass	<input type="checkbox"/> <b>DGP:</b> Dark Green	<input type="checkbox"/> <b>SAA:</b> Satin Aluminum	<input type="checkbox"/> <b>SSS:</b> Satin
	<input type="checkbox"/> <b>SBB:</b> Satin Brass	<input type="checkbox"/> <b>VGP:</b> Verde Green	<input type="checkbox"/> <b>SNA:</b> Satin Nickel	<input type="checkbox"/> <b>DSS:</b> Distressed
	<input type="checkbox"/> <b>PBB:</b> Polished Brass	<input type="checkbox"/> <b>CGP:</b> Charcoal Gray	<input type="checkbox"/> <b>PAA:</b> Polished Aluminum	<input type="checkbox"/> <b>PSS:</b> Polished
	<input type="checkbox"/> <b>ANB:</b> Antique Nickel	<input type="checkbox"/> <b>MBP:</b> Medium Bronze	<input type="checkbox"/> <b>BBA:</b> Burnished Bronze	<input type="checkbox"/> <b>HSS:</b> Hammered
	<input type="checkbox"/> <b>SNB:</b> Satin Nickel	<input type="checkbox"/> <b>SBP:</b> Satin Black	<input type="checkbox"/> <b>RNA:</b> Red Naval Bronze	<input type="checkbox"/>
	<input type="checkbox"/> <b>PNB:</b> Polished Nickel	<input type="checkbox"/> <b>DBP:</b> Dark Bronze	<input type="checkbox"/> <b>SGA:</b> Satin Gold	<input type="checkbox"/>
	<input type="checkbox"/> <b>AZB:</b> Antique Bronze	<input type="checkbox"/> <b>LBP:</b> Light Bronze	<input type="checkbox"/> <b>SBA:</b> Satin Bronze	<input type="checkbox"/>
	<input type="checkbox"/> <b>SZB:</b> Satin Bronze	<input type="checkbox"/> <b>MGP:</b> Medium Gold	<input type="checkbox"/> <b>ORA:</b> Oil Rubbed Bronze	<input type="checkbox"/>
	<input type="checkbox"/> <b>PZB:</b> Polished Bronze	<input type="checkbox"/> <b>SCP:</b> Sponged Copper	<input type="checkbox"/> <b>SCA:</b> Satin Copper	<input type="checkbox"/>
	<input type="checkbox"/> <b>CSB:</b> Custom Brass*	<input type="checkbox"/> <b>CSP:</b> Custom Paint*	<input type="checkbox"/> <b>CSA:</b> Custom Aluminum*	<input type="checkbox"/>
	<input type="checkbox"/>			<input type="checkbox"/> <b>CSS:</b> Custom SS*
	<input type="checkbox"/>			<input type="checkbox"/>
	<input type="checkbox"/>			<input type="checkbox"/>
	<input type="checkbox"/>			<input type="checkbox"/>

OPTIONS	<input type="checkbox"/> <b>N250:</b> 250wPar38 Downlight	<input type="checkbox"/> <b>L311:</b> 3-11wCLED Uplight	<input type="checkbox"/> <b>FUS:</b> Fusing
	<input type="checkbox"/> <b>N300:</b> 300wPar56 Downlight	<input type="checkbox"/> <b>L611:</b> 6-11wCLED Uplight	<input type="checkbox"/> <b>IEM:</b> Integral Emer.Ballast
	<input type="checkbox"/> <b>N500:</b> 500wPar56 Downlight	<input type="checkbox"/> <b>L423:</b> 4-23wCLED Downlight	<input type="checkbox"/> <b>DALI:</b> Dali dimming LED
	<input type="checkbox"/> <b>DIM:</b> Dimming Ballast	<input type="checkbox"/> <b>L623:</b> 6-23wCLED Downlight	<input type="checkbox"/>
	<input type="checkbox"/> <b>REM:</b> Remote Emer.Ballast	<input type="checkbox"/> <b>L823:</b> 8-23wCLED Downlight	<input type="checkbox"/>
	<input type="checkbox"/>		<input type="checkbox"/>