

Abaco

PD-9600~PD-9631

Our Abaco fixtures are simple and attractive bowl designs. They feature a large two-step spun upper trim ring that supports a smooth bowl. We offer stem options with the Abaco pendants that allow four angled supports as well as four straight stems coming down into the trim ring...very nice options for differing geometries of an auditorium. And our finishes are as complete as you could imagine, ranging from solid satin brass to polished aluminum. The acrylics we use are just as nice, and our lamping options give you the opportunity to install trouble free LED lighting.

~Abaco Series~

- Chandelier: CH-9600~CH-9611
- Pendant: PD-9600~PD-9631
- Ceiling Mount: CL-9600~CL-9608
- Wall Mount: SC-9600~SC-9611
- Bollard: BL-9600~BL-9611

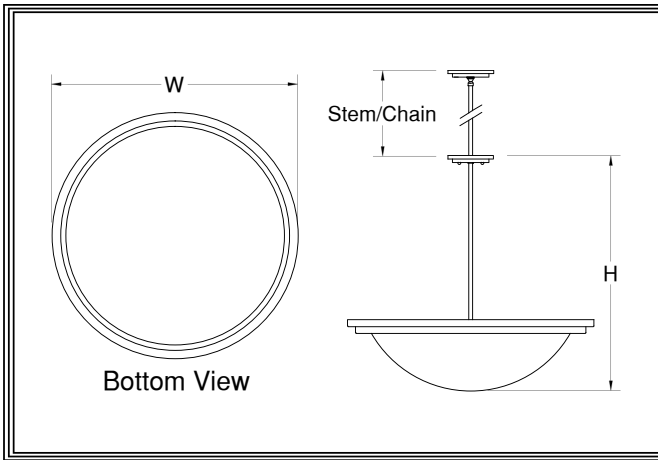
Mounting: Lightsmith fixtures mount to standard 4" octagon electrical boxes unless otherwise specified. All hardware and canopies supplied.

Listing and Warranty: Lightsmith fixtures are Underwriters Laboratories listed and carry a standard three year warranty against defects in materials and labor beginning at date of shipment.



Fixture Specifications

PD-96 _____ ~ _____ ~ _____ ~ _____ ~ _____ ~ _____ ~ _____
 FIXTURE NUMBER (Example: PD-9600) DIFFUSER (Example: BGA-ECH) METAL FINISH (Example: ABB) VOLTAGE (120V, 277V, 347V) STEM=S+Lgth (Example: S-96") CHAIN=C+Lgth (Example: C-96") NR=Not required OPTIONS (Example: DIM, REM) MODIFICATIONS (Example: Custom Paint*) Use "Notes" Box At Top To Explain Modifications



PD-96 _____ _____
 Fixture Number Job Type

 Job Name

 Notes~Modifications

	Fixture Number	Dimensions	Lamping	Weight	Stem/Chain	Options
LED	<input type="checkbox"/> PD-9609	21w x 24h	4-13wCLED	21 lbs	3' Std	DALI,IEM,TPL,FUS**
	<input type="checkbox"/> PD-9610	27w x 30h	6-13wCLED	25 lbs	6' Std	L423,4AS,4SS
	<input type="checkbox"/> PD-9611	34w x 38h	4-23wCLED	31 lbs	9' Std	L623,4AS,4SS
	<input type="checkbox"/> PD-9612	40w x 44h	4-38wCLED	36 lbs	9' Std	L623,4AS,4SS
	<input type="checkbox"/> PD-9613	48w x 52h	6-52wCLED	47 lbs	12' Std	L823,4AS,4SS
INCANDESCENT	<input type="checkbox"/> PD-9620	21w x 24h	3-100wA	18 lbs	3' Std	N250,4AS,4SS
	<input type="checkbox"/> PD-9600	27w x 30h	3-150wA	22 lbs	6' Std	N300,4AS,4SS
	<input type="checkbox"/> PD-9621	34w x 38h	6-100wA	28 lbs	9' Std	N300,4AS,4SS
	<input type="checkbox"/> PD-9601	40w x 44h	6-150wA	33 lbs	9' Std	N500,4AS,4SS
	<input type="checkbox"/> PD-9602	48w x 52h	12-150wA	44 lbs	12' Std	N500,4AS,4SS
FLUORESCENT	<input type="checkbox"/> PD-9630	21w x 24h	2-42wCFT	20 lbs	3' Std	DIM,IEM,TPL,FUS*
	<input type="checkbox"/> PD-9603	27w x 30h	4-42wCFT	24 lbs	6' Std	F242,4AS,4SS
	<input type="checkbox"/> PD-9631	34w x 38h	6-42wCFT	30 lbs	9' Std	F242,4AS,4SS
	<input type="checkbox"/> PD-9604	40w x 44h	6-FT40w	35 lbs	9' Std	F442,4AS,4SS
	<input type="checkbox"/> PD-9605	48w x 52h	8-FT50w	46 lbs	12' Std	F442,4AS,4SS

~Two Circuits Standard Wiring~

*All Fluorescent Fixtures
**All LED Fixtures

DIFFUSER	DIFFUSER	DIFFUSER
<input type="checkbox"/> BGA: Beige Alabaster Acrylic	<input type="checkbox"/> GRA: Green Edge Acrylic	<input type="checkbox"/> ECH: Etched*
<input type="checkbox"/> NHA: Natural Horn Acrylic	<input type="checkbox"/> EGA: Earth Green Acrylic	*Etched option creates a matte, non-glossy finish on one side of the diffuser. (Example: WOA-ECH)
<input type="checkbox"/> WHA: White Alabaster Acrylic	<input type="checkbox"/> DGA: Deep Gold Acrylic	
<input type="checkbox"/> HNA: Honey Alabaster Acrylic	<input type="checkbox"/> SBA: Sea Blue Acrylic	
<input type="checkbox"/> WOA: White Opal Acrylic	<input type="checkbox"/> PHA: Purple Haze Acrylic	

METAL FINISH	METAL FINISH	METAL FINISH	METAL FINISH
<input type="checkbox"/> ABB: Antique Brass	<input type="checkbox"/> DGP: Dark Green	<input type="checkbox"/> SAA: Satin Aluminum	<input type="checkbox"/> SSS: Satin
<input type="checkbox"/> SBB: Satin Brass	<input type="checkbox"/> VGP: Verde Green	<input type="checkbox"/> SNA: Satin Nickel	<input type="checkbox"/> DSS: Distressed
<input type="checkbox"/> PBB: Polished Brass	<input type="checkbox"/> CGP: Charcoal Gray	<input type="checkbox"/> PAA: Polished Aluminum	<input type="checkbox"/> PSS: Polished
<input type="checkbox"/> ANB: Antique Nickel	<input type="checkbox"/> MBP: Medium Bronze	<input type="checkbox"/> BBA: Burnished Bronze	<input type="checkbox"/> HSS: Hammered
<input type="checkbox"/> SNB: Satin Nickel	<input type="checkbox"/> SBP: Satin Black	<input type="checkbox"/> RNA: Red Naval Bronze	<input type="checkbox"/>
<input type="checkbox"/> PNB: Polished Nickel	<input type="checkbox"/> DBP: Dark Bronze	<input type="checkbox"/> SGA: Satin Gold	<input type="checkbox"/>
<input type="checkbox"/> AZB: Antique Bronze	<input type="checkbox"/> LBP: Light Bronze	<input type="checkbox"/> SBA: Satin Bronze	<input type="checkbox"/>
<input type="checkbox"/> SZB: Satin Bronze	<input type="checkbox"/> MGP: Medium Gold	<input type="checkbox"/> ORA: Oil Rubbed Bronze	<input type="checkbox"/>
<input type="checkbox"/> PZB: Polished Bronze	<input type="checkbox"/> SCP: Sponged Copper	<input type="checkbox"/> SCA: Satin Copper	<input type="checkbox"/>
<input type="checkbox"/> CSB: Custom Brass*	<input type="checkbox"/> CSP: Custom Paint*	<input type="checkbox"/> CSA: Custom Aluminum*	<input type="checkbox"/> CSS: Custom SS*

OPTIONS	OPTIONS	OPTIONS
<input type="checkbox"/> N250: 250wPar38 Downlight	<input type="checkbox"/> F242: 2-42wCFT Downlight	<input type="checkbox"/> FUS: Fusing
<input type="checkbox"/> N300: 300wPar56 Downlight	<input type="checkbox"/> F442: 4-42wCFT Downlight	<input type="checkbox"/> IEM: Integral Emer.Ballast
<input type="checkbox"/> N500: 500wPar56 Downlight	<input type="checkbox"/> L423: 4-23wCLED Downlight	<input type="checkbox"/> DALI: Dali dimming LED
<input type="checkbox"/> DIM: Dimming Ballast	<input type="checkbox"/> L623: 6-23wCLED Downlight	<input type="checkbox"/> 4AS: 4-Angled Stems
<input type="checkbox"/> TPL: Top Lens	<input type="checkbox"/> L823: 8-23wCLED Downlight	<input type="checkbox"/> 4SS: 4-Straight Stems