



Palmyra

PD-9500~PD-9531

Our Palmyra fixtures are elegant bowls with very trim side profiles. They are composed of two hand spun rings that support a low profile acrylic bowl. Simple design features, and a shape that makes a real architectural statement. Vertical support rods in the pendant version and tube spacers between the rings make for a very unified look. Take advantage of our lamping and finish options to create a unique light capable of accenting any area. Our lamping options are just amazing. CFL's will last years and years without maintenance. LED's will last more than twice that. Just right!

~Palmyra Series~

- Chandelier: CH-9500~CH-9511
- Pendant: PD-9500~PD-9531
- Ceiling Mount: CL-9500~CL-9508
- Wall Mount: SC-9500~SC-9511
- Bollard: BL-9500~BL-9511

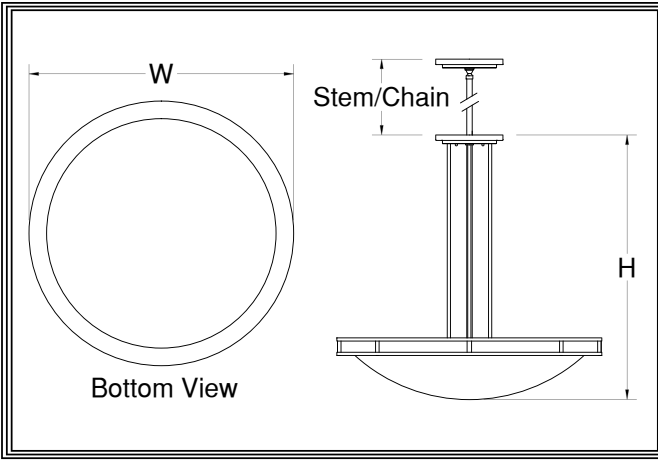
Mounting: Lightsmith fixtures mount to standard 4" octagon electrical boxes unless otherwise specified. All hardware and canopies supplied.

Listing and Warranty: Lightsmith fixtures are Underwriters Laboratories listed and carry a standard three year warranty against defects in materials and labor beginning at date of shipment.



Fixture Specifications

PD-95 FIXTURE NUMBER (Example: PD-9500)	~	DIFFUSER (Example: BGA-ECH)	~	METAL FINISH (Example: ABB)	~	VOLTAGE <input type="checkbox"/> (120V) <input type="checkbox"/> (277V) <input type="checkbox"/> (347V)	~	STEM= S+Lgth (Example: S-96") CHAIN= C+Lgth (Example: C-96") NR= Not required	~	OPTIONS (Example: DIM, REM)	~	MODIFICATIONS (Example: Custom Paint) Use "Notes" Box At Top To Explain Modifications
--	---	---------------------------------------	---	---------------------------------------	---	---	---	--	---	---------------------------------------	---	--



PD-95 _____

Fixture Number Job Type

Job Name

Notes~Modifications

	Fixture Number	Dimensions	Lamping	Weight	Stem/Chain	Options
LED	<input type="checkbox"/> PD-9509	18w x 18h	4-13wCLED	20 lbs	3' Std	DALI,IEM,TPL,FUS**
	<input type="checkbox"/> PD-9510	24w x 24h	6-13wCLED	23 lbs	6' Std	L423,L623
	<input type="checkbox"/> PD-9511	30w x 30h	4-23wCLED	25 lbs	9' Std	L423,L623,L311
	<input type="checkbox"/> PD-9512	36w x 36h	4-38wCLED	28 lbs	9' Std	L623,L823,L611
	<input type="checkbox"/> PD-9513	46w x 46h	6-52wCLED	31 lbs	12' Std	L623,L823,L611
INCANDESCENT	<input type="checkbox"/> PD-9520	18w x 18h	3-100wA	17 lbs	3' Std	N250
	<input type="checkbox"/> PD-9500	24w x 24h	3-150wA	19 lbs	6' Std	N300
	<input type="checkbox"/> PD-9521	30w x 30h	6-100wA	22 lbs	9' Std	N300
	<input type="checkbox"/> PD-9501	36w x 36h	6-150wA	25 lbs	9' Std	N500
	<input type="checkbox"/> PD-9502	46w x 46h	12-150wA	28 lbs	12' Std	N500
FLUORESCENT	<input type="checkbox"/> PD-9530	18w x 18h	2-42wCFT	19 lbs	3' Std	DIM,IEM,TPL,FUS*
	<input type="checkbox"/> PD-9503	24w x 24h	4-42wCFT	21 lbs	6' Std	F242
	<input type="checkbox"/> PD-9531	30w x 30h	6-42wCFT	24 lbs	9' Std	F242
	<input type="checkbox"/> PD-9504	36w x 36h	8-42wCFT	27 lbs	9' Std	F442
	<input type="checkbox"/> PD-9505	46w x 46h	10-42wCFT	30 lbs	12' Std	F442

~Two Circuits Standard Wiring~

*All Fluorescent Fixtures
**All LED Fixtures

DIFFUSER	<input type="checkbox"/> BGA: Beige Alabaster Acrylic	<input type="checkbox"/> GRA: Green Edge Acrylic	<input type="checkbox"/> ECH: Etched*
	<input type="checkbox"/> NHA: Natural Horn Acrylic	<input type="checkbox"/> EGA: Earth Green Acrylic	*Etched option creates a matte, non-glossy finish on one side of the diffuser. (Example: WOA-ECH)
	<input type="checkbox"/> WHA: White Alabaster Acrylic	<input type="checkbox"/> DGA: Deep Gold Acrylic	
	<input type="checkbox"/> HNA: Honey Alabaster Acrylic	<input type="checkbox"/> SBA: Sea Blue Acrylic	
	<input type="checkbox"/> WOA: White Opal Acrylic	<input type="checkbox"/> PHA: Purple Haze Acrylic	

	SOLID BRASS FINISHES	PAINTED METAL FINISHES	ALUMINUM FINISHES	STAINLESS STEEL FINISHES
METAL FINISH	<input type="checkbox"/> ABB: Antique Brass	<input type="checkbox"/> DGP: Dark Green	<input type="checkbox"/> SAA: Satin Aluminum	<input type="checkbox"/> SSS: Satin
	<input type="checkbox"/> SBB: Satin Brass	<input type="checkbox"/> VGP: Verde Green	<input type="checkbox"/> SNA: Satin Nickel	<input type="checkbox"/> DSS: Distressed
	<input type="checkbox"/> PBB: Polished Brass	<input type="checkbox"/> CGP: Charcoal Gray	<input type="checkbox"/> PAA: Polished Aluminum	<input type="checkbox"/> PSS: Polished
	<input type="checkbox"/> ANB: Antique Nickel	<input type="checkbox"/> MBP: Medium Bronze	<input type="checkbox"/> BBA: Burnished Bronze	<input type="checkbox"/> HSS: Hammered
	<input type="checkbox"/> SNB: Satin Nickel	<input type="checkbox"/> SBP: Satin Black	<input type="checkbox"/> RNA: Red Naval Bronze	<input type="checkbox"/>
	<input type="checkbox"/> PNB: Polished Nickel	<input type="checkbox"/> DBP: Dark Bronze	<input type="checkbox"/> SGA: Satin Gold	<input type="checkbox"/>
	<input type="checkbox"/> AZB: Antique Bronze	<input type="checkbox"/> LBP: Light Bronze	<input type="checkbox"/> SBA: Satin Bronze	<input type="checkbox"/>
	<input type="checkbox"/> SZB: Satin Bronze	<input type="checkbox"/> MGP: Medium Gold	<input type="checkbox"/> ORA: Oil Rubbed Bronze	<input type="checkbox"/>
	<input type="checkbox"/> PZB: Polished Bronze	<input type="checkbox"/> SCP: Sponged Copper	<input type="checkbox"/> SCA: Satin Copper	<input type="checkbox"/>
	<input type="checkbox"/> CSB: Custom Brass*	<input type="checkbox"/> CSP: Custom Paint*	<input type="checkbox"/> CSA: Custom Aluminum*	<input type="checkbox"/> CSS: Custom SS*

OPTIONS	<input type="checkbox"/> N250: 250wPar38 Downlight	<input type="checkbox"/> L311: 3-11wCLED Uplight	<input type="checkbox"/> FUS: Fusing
	<input type="checkbox"/> N300: 300wPar56 Downlight	<input type="checkbox"/> L611: 6-11wCLED Uplight	<input type="checkbox"/> IEM: Integral Emer.Ballast
	<input type="checkbox"/> N500: 500wPar56 Downlight	<input type="checkbox"/> L423: 4-23wCLED Downlight	<input type="checkbox"/> DALI: Dali dimming LED
	<input type="checkbox"/> DIM: Dimming Ballast	<input type="checkbox"/> L623: 6-23wCLED Downlight	<input type="checkbox"/> F242: 2-42wCFT Downlight
	<input type="checkbox"/> TPL: Top Lens	<input type="checkbox"/> L823: 8-23wCLED Downlight	<input type="checkbox"/> F442: 4-42wCFT Downlight