



Lisbon

PD-9400~PD-9431

Our Lisbon fixtures are sleek bowl fixtures with the thinnest of side profiles. They are composed of two heavy bar stock rings that support a very low profile acrylic bowl. Simple design features, but a shape that makes a terrific architectural statement. The thin stainless steel aircraft cables that support the pendants just accentuate the open nature of these fixtures. And the pendants of this series are available in enormous sizes. Standard sizes go up to six feet. Customs we can make even larger. Take advantage of our lamping and finish options for a totally unique look.

~Lisbon Series~

Chandelier: CH-9400~CH-9411

Pendant: PD-9400~PD-9431

Ceiling Mount: CL-9400~CL-9408

Wall Mount: SC-9400~SC-9411

Bollard: BL-9400~BL-9411

Mounting: Lightsmith fixtures mount to standard 4" octagon electrical boxes unless otherwise specified. All hardware and canopies supplied.

Listing and Warranty: Lightsmith fixtures are Underwriters Laboratories listed and carry a standard three year warranty against defects in materials and labor beginning at date of shipment.



Fixture Specifications

PD-94

FIXTURE NUMBER
(Example: PD-9400)

DIFFUSER
(Example: BGA-ECH)

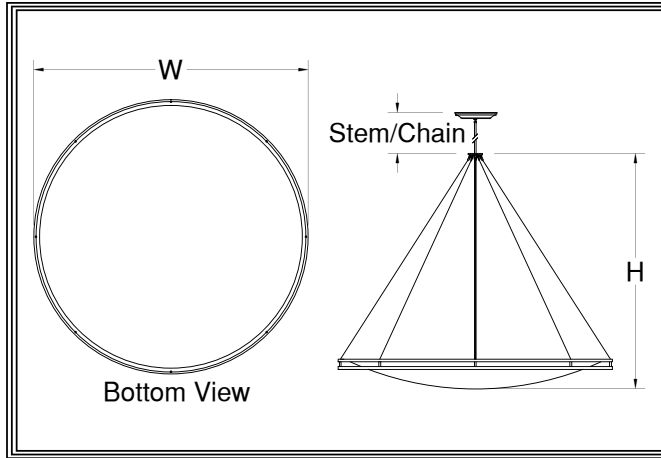
METAL FINISH
(Example: ABB)

VOLTAGE
 (120V)
 (277V)
 (347V)

STEM=S+Lgth
(Example: S-96")
CHAIN=C+Lgth
(Example: C-96")
NR=Not required

OPTIONS
(Example: DIM, REM)

MODIFICATIONS
(Example: Custom Paint*)
Use "Notes" Box At Top To Explain Modifications



PD-94 _____

Fixture Number Job Type

Job Name

Notes~Modifications

	Fixture Number	Dimensions	Lamping	Weight	Stem/Chain	Options
LED	<input type="checkbox"/> PD-9409	24w x 18h	4-13wCLED	25 lbs	3' Std	DALI,IEM,TPL,FUS**
	<input type="checkbox"/> PD-9410	36w x 27h	6-13wCLED	31 lbs	6' Std	L423,L623
	<input type="checkbox"/> PD-9411	48w x 36h	4-23wCLED	35 lbs	9' Std	L423,L623,L311
	<input type="checkbox"/> PD-9412	60w x 45h	4-38wCLED	41 lbs	9' Std	L623,L823,L611
	<input type="checkbox"/> PD-9413	72w x 54h	6-52wCLED	53 lbs	12' Std	L623,L823,L611
INCANDESCENT	<input type="checkbox"/> PD-9420	24w x 18h	3-100wA	22 lbs	3' Std	N250
	<input type="checkbox"/> PD-9400	36w x 27h	3-150wA	28 lbs	6' Std	N300
	<input type="checkbox"/> PD-9421	48w x 36h	6-100wA	32 lbs	9' Std	N300
	<input type="checkbox"/> PD-9401	60w x 45h	6-150wA	38 lbs	9' Std	N500
	<input type="checkbox"/> PD-9402	72w x 54h	12-150wA	50 lbs	12' Std	N500
FLUORESCENT	<input type="checkbox"/> PD-9430	24w x 18h	2-42wCFT	24 lbs	3' Std	DIM,IEM,TPL,FUS*
	<input type="checkbox"/> PD-9403	36w x 27h	4-42wCFT	30 lbs	6' Std	F242
	<input type="checkbox"/> PD-9431	48w x 36h	6-42wCFT	34 lbs	9' Std	F242
	<input type="checkbox"/> PD-9404	60w x 45h	8-42wCFT	40 lbs	9' Std	F442
	<input type="checkbox"/> PD-9405	72w x 54h	10-42wCFT	52 lbs	12' Std	F442

~Two Circuits Standard Wiring~

*All Fluorescent Fixtures
**All LED Fixtures

DIFFUSER	DIFFUSER	DIFFUSER
<input type="checkbox"/> BGA: Beige Alabaster Acrylic	<input type="checkbox"/> GRA: Green Edge Acrylic	<input type="checkbox"/> ECH: Etched*
<input type="checkbox"/> NHA: Natural Horn Acrylic	<input type="checkbox"/> EGA: Earth Green Acrylic	*Etched option creates a matte, non-glossy finish on one side of the diffuser. (Example: WOA-ECH)
<input type="checkbox"/> WHA: White Alabaster Acrylic	<input type="checkbox"/> DGA: Deep Gold Acrylic	
<input type="checkbox"/> HNA: Honey Alabaster Acrylic	<input type="checkbox"/> SBA: Sea Blue Acrylic	
<input type="checkbox"/> WOA: White Opal Acrylic	<input type="checkbox"/> PHA: Purple Haze Acrylic	

METAL FINISH	METAL FINISH	METAL FINISH	METAL FINISH
<input type="checkbox"/> ABB: Antique Brass	<input type="checkbox"/> DGP: Dark Green	<input type="checkbox"/> SAA: Satin Aluminum	<input type="checkbox"/> SSS: Satin
<input type="checkbox"/> SBB: Satin Brass	<input type="checkbox"/> VGP: Verde Green	<input type="checkbox"/> SNA: Satin Nickel	<input type="checkbox"/> DSS: Distressed
<input type="checkbox"/> PBB: Polished Brass	<input type="checkbox"/> CGP: Charcoal Gray	<input type="checkbox"/> PAA: Polished Aluminum	<input type="checkbox"/> PSS: Polished
<input type="checkbox"/> ANB: Antique Nickel	<input type="checkbox"/> MBP: Medium Bronze	<input type="checkbox"/> BBA: Burnished Bronze	<input type="checkbox"/> HSS: Hammered
<input type="checkbox"/> SNB: Satin Nickel	<input type="checkbox"/> SBP: Satin Black	<input type="checkbox"/> RNA: Red Naval Bronze	<input type="checkbox"/>
<input type="checkbox"/> PNB: Polished Nickel	<input type="checkbox"/> DBP: Dark Bronze	<input type="checkbox"/> SGA: Satin Gold	<input type="checkbox"/>
<input type="checkbox"/> AZB: Antique Bronze	<input type="checkbox"/> LBP: Light Bronze	<input type="checkbox"/> SBA: Satin Bronze	<input type="checkbox"/>
<input type="checkbox"/> SZB: Satin Bronze	<input type="checkbox"/> MGP: Medium Gold	<input type="checkbox"/> ORA: Oil Rubbed Bronze	<input type="checkbox"/>
<input type="checkbox"/> PZB: Polished Bronze	<input type="checkbox"/> SCP: Sponged Copper	<input type="checkbox"/> SCA: Satin Copper	<input type="checkbox"/>
<input type="checkbox"/> CSB: Custom Brass*	<input type="checkbox"/> CSP: Custom Paint*	<input type="checkbox"/> CSA: Custom Aluminum*	<input type="checkbox"/> CSS: Custom SS*

OPTIONS	OPTIONS	OPTIONS
<input type="checkbox"/> N250: 250wPar38 Downlight	<input type="checkbox"/> L311: 3-11wCLED Uplight	<input type="checkbox"/> FUS: Fusing
<input type="checkbox"/> N300: 300wPar56 Downlight	<input type="checkbox"/> L611: 6-11wCLED Uplight	<input type="checkbox"/> IEM: Integral Emer.Ballast
<input type="checkbox"/> N500: 500wPar56 Downlight	<input type="checkbox"/> L423: 4-23wCLED Downlight	<input type="checkbox"/> DALI: Dali dimming LED
<input type="checkbox"/> DIM: Dimming Ballast	<input type="checkbox"/> L623: 6-23wCLED Downlight	<input type="checkbox"/> F242: 2-42wCFT Downlight
<input type="checkbox"/> TPL: Top Lens	<input type="checkbox"/> L823: 8-23wCLED Downlight	<input type="checkbox"/> F442: 4-42wCFT Downlight