



Briggs

PD-9300~PD-9331

Our Briggs fixtures are dynamic acrylic bowls, sure to please even the most difficult tastes. We are very proud of the spun trim rings that create the "Briggs Setback" look...a first in the lighting industry. And the bowls and matching quarter-sphere sconces that make up the Briggs line are just as bright and powerful as you could ask for. There are a multitude of choices when the time comes to pick acrylics and metal finishes. And our LED engines offer the possibility of "state of the art" illumination with minimal care. Our CFL options will produce terrific indirect light. Just a great fixture...period.

~Briggs Series~

- Chandelier: CH-9300~CH-9311
- Pendant: PD-9300~PD-9331
- Ceiling Mount: CL-9300~CL-9308
- Wall Mount: SC-9300~SC-9311
- Bollard: BL-9300~BL-9311

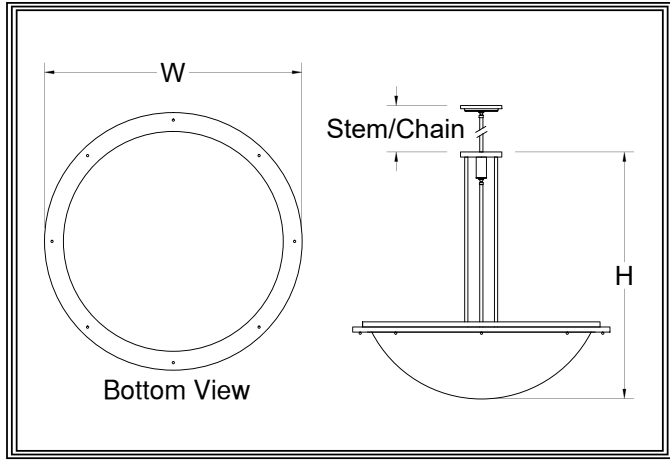
Mounting: Lightsmith fixtures mount to standard 4" octagon electrical boxes unless otherwise specified. All hardware and canopies supplied.

Listing and Warranty: Lightsmith fixtures are Underwriters Laboratories listed and carry a standard three year warranty against defects in materials and labor beginning at date of shipment.



Fixture Specifications

PD-93 _____ ~ _____ ~ _____ ~ _____ ~ _____ ~ _____ ~ _____
 FIXTURE NUMBER ~ DIFFUSER ~ METAL FINISH ~ VOLTAGE ~ STEM=Stem Length ~ OPTIONS ~ MODIFICATIONS
 (Example: PD-9300) (Example: BGA-ECH) (Example: ABB) (120V) (Example: S-96") (Example: DIM, REM) (Example: Custom Paint*)
 (347V) (Example: C-96") (Use "Notes" Box At Top To Explain Modifications)



PD-93 _____
 Fixture Number Job Type

 Job Name

 Notes~Modifications

	Fixture Number	Dimensions	Lamping	Weight	Stem/Chain	Options
LED	<input type="checkbox"/> PD-9309	18w x 16h	4-13wCLED	13 lbs	3' Std	DALI,IEM,TPL,FUS**
	<input type="checkbox"/> PD-9310	24w x 22h	6-13wCLED	16 lbs	6' Std	L423,L623
	<input type="checkbox"/> PD-9311	30w x 28h	4-23wCLED	20 lbs	9' Std	L423,L623,L311
	<input type="checkbox"/> PD-9312	40w x 38h	4-38wCLED	24 lbs	9' Std	L623,L823,L611
	<input type="checkbox"/> PD-9313	50w x 48h	6-52wCLED	31 lbs	12' Std	L623,L823,L611
INCANDESCENT	<input type="checkbox"/> PD-9320	18w x 16h	3-100wA	11 lbs	3' Std	N250
	<input type="checkbox"/> PD-9300	24w x 22h	3-150wA	14 lbs	6' Std	N300
	<input type="checkbox"/> PD-9321	30w x 28h	6-100wA	16 lbs	9' Std	N300
	<input type="checkbox"/> PD-9301	40w x 38h	6-150wA	19 lbs	9' Std	N500
	<input type="checkbox"/> PD-9302	50w x 48h	12-150wA	25 lbs	12' Std	N500
FLUORESCENT	<input type="checkbox"/> PD-9330	18w x 16h	2-42wCFT	12 lbs	3' Std	DIM,IEM,TPL,FUS*
	<input type="checkbox"/> PD-9303	24w x 22h	4-42wCFT	15 lbs	6' Std	F242
	<input type="checkbox"/> PD-9331	30w x 28h	6-42wCFT	18 lbs	9' Std	F242
	<input type="checkbox"/> PD-9304	40w x 38h	6-FT40w	22 lbs	9' Std	F442
	<input type="checkbox"/> PD-9305	50w x 48h	8-FT50w	28 lbs	12' Std	F442

~Two Circuits Standard Wiring~

*All Fluorescent Fixtures
**All LED Fixtures

DIFFUSER	DIFFUSER	DIFFUSER
<input type="checkbox"/> BGA: Beige Alabaster Acrylic	<input type="checkbox"/> GRA: Green Edge Acrylic	<input type="checkbox"/> ECH: Etched*
<input type="checkbox"/> NHA: Natural Horn Acrylic	<input type="checkbox"/> EGA: Earth Green Acrylic	*Etched option creates a matte, non-glossy finish on one side of the diffuser. (Example:WOA-ECH)
<input type="checkbox"/> WHA: White Alabaster Acrylic	<input type="checkbox"/> DGA: Deep Gold Acrylic	
<input type="checkbox"/> HNA: Honey Alabaster Acrylic	<input type="checkbox"/> SBA: Sea Blue Acrylic	
<input type="checkbox"/> WOA: White Opal Acrylic	<input type="checkbox"/> PHA: Purple Haze Acrylic	

METAL FINISH	SOLID BRASS FINISHES	PAINTED METAL FINISHES	ALUMINUM FINISHES	STAINLESS STEEL FINISHES
<input type="checkbox"/> ABB: Antique Brass	<input type="checkbox"/> DGP: Dark Green	<input type="checkbox"/> SAA: Satin Aluminum	<input type="checkbox"/> SSS: Satin	
<input type="checkbox"/> SBB: Satin Brass	<input type="checkbox"/> VGP: Verde Green	<input type="checkbox"/> SNA: Satin Nickel	<input type="checkbox"/> DSS: Distressed	
<input type="checkbox"/> PBB: Polished Brass	<input type="checkbox"/> CGP: Charcoal Gray	<input type="checkbox"/> PAA: Polished Aluminum	<input type="checkbox"/> PSS: Polished	
<input type="checkbox"/> ANB: Antique Nickel	<input type="checkbox"/> MBP: Medium Bronze	<input type="checkbox"/> BBA: Burnished Bronze	<input type="checkbox"/> HSS: Hammered	
<input type="checkbox"/> SNB: Satin Nickel	<input type="checkbox"/> SBP: Satin Black	<input type="checkbox"/> RNA: Red Naval Bronze	<input type="checkbox"/>	
<input type="checkbox"/> PNB: Polished Nickel	<input type="checkbox"/> DBP: Dark Bronze	<input type="checkbox"/> SGA: Satin Gold	<input type="checkbox"/>	
<input type="checkbox"/> AZB: Antique Bronze	<input type="checkbox"/> LBP: Light Bronze	<input type="checkbox"/> SBA: Satin Bronze	<input type="checkbox"/>	
<input type="checkbox"/> SZB: Satin Bronze	<input type="checkbox"/> MGP: Medium Gold	<input type="checkbox"/> ORA: Oil Rubbed Bronze	<input type="checkbox"/>	
<input type="checkbox"/> PZB: Polished Bronze	<input type="checkbox"/> SCP: Sponged Copper	<input type="checkbox"/> SCA: Satin Copper	<input type="checkbox"/>	
<input type="checkbox"/> CSB: Custom Brass*	<input type="checkbox"/> CSP: Custom Paint*	<input type="checkbox"/> CSA: Custom Aluminum*	<input type="checkbox"/> CSS: Custom SS*	

OPTIONS	OPTIONS	OPTIONS
<input type="checkbox"/> N250: 250wPar38 Downlight	<input type="checkbox"/> L311: 3-11wCLED Uplight	<input type="checkbox"/> FUS: Fusing
<input type="checkbox"/> N300: 300wPar56 Downlight	<input type="checkbox"/> L611: 6-11wCLED Uplight	<input type="checkbox"/> IEM: Integral Emer.Ballast
<input type="checkbox"/> N500: 500wPar56 Downlight	<input type="checkbox"/> L423: 4-23wCLED Downlight	<input type="checkbox"/> DALI: Dali dimming LED
<input type="checkbox"/> DIM: Dimming Ballast	<input type="checkbox"/> L623: 6-23wCLED Downlight	<input type="checkbox"/> F242: 2-42wCFT Downlight
<input type="checkbox"/> TPL: Top Lens	<input type="checkbox"/> L823: 8-23wCLED Downlight	<input type="checkbox"/> F442: 4-42wCFT Downlight