



Lima

PD-9200~PD-9231

Our Lima fixtures are scaled to fit larger rooms, auditoriums, and hallways. They offer ample capacity for high powered lamps and LED chips. The basic design of Lima is a 1920's glass globe...the schoolhouse fixture. Our Feldip series still offers this globe, but in much smaller sizes. Lima is a natural progression of the shape. We accomplish this scale-up by using spun rings and acrylic lenses to imitate the shape...just bigger. Lima can be ordered in a variety of metals, acrylics, and lamping. And there is a downlight option if you are so inclined. Overall, these lights are just **stately and bright!**

~Lima Series~

- Chandelier: CH-9200~CH-9211
- Pendant: PD-9200~PD-9231
- Ceiling Mount: CL-9200~CL-9208
- Wall Mount: SC-9200~SC-9211
- Bollard: BL-9200~BL-9211

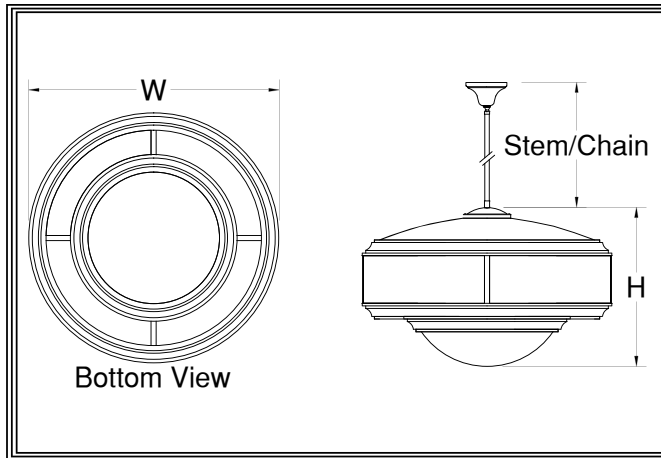
Mounting: Lightsmith fixtures mount to standard 4" octagon electrical boxes unless otherwise specified. All hardware and canopies supplied.

Listing and Warranty: Lightsmith fixtures are Underwriters Laboratories listed and carry a standard three year warranty against defects in materials and labor beginning at date of shipment.



Fixture Specifications

PD-92 <small>FIXTURE NUMBER (Example: PD-9200)</small>	~	<small>DIFFUSER (Example: BGA-ECH)</small>	~	<small>METAL FINISH (Example: ABB)</small>	~	<small>VOLTAGE <input type="checkbox"/> (120V) <input type="checkbox"/> (277V) <input type="checkbox"/> (347V) </small>	~	<small>STEM=S+Lgth (Example: S-96") CHAIN=C+Lgth (Example: C-96") NR=Not required </small>	~	<small>OPTIONS (Example: DIM, REM)</small>	~	<small>MODIFICATIONS (Example: Custom Paint) Use "Notes" Box At Top To Explain Modifications </small>
--	---	--	---	--	---	--	---	--	---	--	---	--



PD-92

Fixture Number Job Type

Job Name

Notes~Modifications

	Fixture Number	Dimensions	Lamping	Weight	Stem/Chain	Options
LED	<input type="checkbox"/> PD-9209	16w x 10h	4-13wCLED	12 lbs	3' Std	DALI, IEM, TPL, FUS**
	<input type="checkbox"/> PD-9210	24w x 15h	6-13wCLED	15 lbs	6' Std	L423, L623
	<input type="checkbox"/> PD-9211	30w x 19h	4-23wCLED	19 lbs	9' Std	L423, L623, L311
	<input type="checkbox"/> PD-9212	36w x 23h	4-38wCLED	22 lbs	9' Std	L623, L823, L611
	<input type="checkbox"/> PD-9213	44w x 28h	6-52wCLED	30 lbs	12' Std	L623, L823, L611
INCANDESCENT	<input type="checkbox"/> PD-9220	16w x 10h	3-100wA	9 lbs	3' Std	N250
	<input type="checkbox"/> PD-9200	24w x 15h	3-150wA	12 lbs	6' Std	N300
	<input type="checkbox"/> PD-9221	30w x 19h	6-100wA	16 lbs	9' Std	N300
	<input type="checkbox"/> PD-9201	36w x 23h	6-150wA	19 lbs	9' Std	N500
	<input type="checkbox"/> PD-9202	44w x 28h	12-150wA	25 lbs	12' Std	N500
FLUORESCENT	<input type="checkbox"/> PD-9230	16w x 10h	2-42wCFT	11 lbs	3' Std	DIM, IEM, TPL, FUS*
	<input type="checkbox"/> PD-9203	24w x 15h	4-42wCFT	14 lbs	6' Std	F242
	<input type="checkbox"/> PD-9231	30w x 19h	6-42wCFT	19 lbs	9' Std	F242
	<input type="checkbox"/> PD-9204	36w x 23h	6-FT40w	23 lbs	9' Std	F442
	<input type="checkbox"/> PD-9205	44w x 28h	8-FT50w	28 lbs	12' Std	F442

~Two Circuits Standard Wiring~

*All Fluorescent Fixtures
**All LED Fixtures

DIFFUSER	<input type="checkbox"/> BGA: Beige Alabaster Acrylic	<input type="checkbox"/> GRA: Green Edge Acrylic	<input type="checkbox"/> ECH: Etched*
	<input type="checkbox"/> NHA: Natural Horn Acrylic	<input type="checkbox"/> EGA: Earth Green Acrylic	<i>*Etched option creates a matte, non-glossy finish on one side of the diffuser. (Example: WOA-ECH)</i>
	<input type="checkbox"/> WHA: White Alabaster Acrylic	<input type="checkbox"/> DGA: Deep Gold Acrylic	
	<input type="checkbox"/> HNA: Honey Alabaster Acrylic	<input type="checkbox"/> SBA: Sea Blue Acrylic	
	<input type="checkbox"/> WOA: White Opal Acrylic	<input type="checkbox"/> PHA: Purple Haze Acrylic	

	SOLID BRASS FINISHES	PAINTED METAL FINISHES	ALUMINUM FINISHES	STAINLESS STEEL FINISHES
METAL FINISH	<input type="checkbox"/> ABB: Antique Brass	<input type="checkbox"/> DGP: Dark Green	<input type="checkbox"/> SAA: Satin Aluminum	<input type="checkbox"/> SSS: Satin
	<input type="checkbox"/> SBB: Satin Brass	<input type="checkbox"/> VGP: Verde Green	<input type="checkbox"/> SNA: Satin Nickel	<input type="checkbox"/> DSS: Distressed
	<input type="checkbox"/> PBB: Polished Brass	<input type="checkbox"/> CGP: Charcoal Gray	<input type="checkbox"/> PAA: Polished Aluminum	<input type="checkbox"/> PSS: Polished
	<input type="checkbox"/> ANB: Antique Nickel	<input type="checkbox"/> MBP: Medium Bronze	<input type="checkbox"/> BBA: Burnished Bronze	<input type="checkbox"/> HSS: Hammered
	<input type="checkbox"/> SNB: Satin Nickel	<input type="checkbox"/> SBP: Satin Black	<input type="checkbox"/> RNA: Red Naval Bronze	<input type="checkbox"/>
	<input type="checkbox"/> PNB: Polished Nickel	<input type="checkbox"/> DBP: Dark Bronze	<input type="checkbox"/> SGA: Satin Gold	<input type="checkbox"/>
	<input type="checkbox"/> AZB: Antique Bronze	<input type="checkbox"/> LBP: Light Bronze	<input type="checkbox"/> SBA: Satin Bronze	<input type="checkbox"/>
	<input type="checkbox"/> SZB: Satin Bronze	<input type="checkbox"/> MGP: Medium Gold	<input type="checkbox"/> ORA: Oil Rubbed Bronze	<input type="checkbox"/>
	<input type="checkbox"/> PZB: Polished Bronze	<input type="checkbox"/> SCP: Sponged Copper	<input type="checkbox"/> SCA: Satin Copper	<input type="checkbox"/>
	<input type="checkbox"/> CSB: Custom Brass*	<input type="checkbox"/> CSP: Custom Paint*	<input type="checkbox"/> CSA: Custom Aluminum*	<input type="checkbox"/>
	<input type="checkbox"/>			<input type="checkbox"/> CSS: Custom SS*
	<input type="checkbox"/>			<input type="checkbox"/>
	<input type="checkbox"/>			<input type="checkbox"/>
	<input type="checkbox"/>			<input type="checkbox"/>

OPTIONS	<input type="checkbox"/> N250: 250wPar38 Downlight	<input type="checkbox"/> L311: 3-11wCLED Uplight	<input type="checkbox"/> FUS: Fusing
	<input type="checkbox"/> N300: 300wPar56 Downlight	<input type="checkbox"/> L611: 6-11wCLED Uplight	<input type="checkbox"/> IEM: Integral Emer. Ballast
	<input type="checkbox"/> N500: 500wPar56 Downlight	<input type="checkbox"/> L423: 4-23wCLED Downlight	<input type="checkbox"/> DALI: Dali dimming LED
	<input type="checkbox"/> DIM: Dimming Ballast	<input type="checkbox"/> L623: 6-23wCLED Downlight	<input type="checkbox"/> F242: 2-42wCFT Downlight
	<input type="checkbox"/> TPL: Top Lens	<input type="checkbox"/> L823: 8-23wCLED Downlight	<input type="checkbox"/> F442: 4-42wCFT Downlight
	<input type="checkbox"/>		