



Rincon

PD-9100~PD-9131

Our Rincon fixtures are drum styled fixtures constructed from large diameter metal spinnings and straight-edged bar stock strips. The pendants of the series lend themselves to lower ceilings and still provide more than ample footcandles to the floor as an indirect fixture or by adding one of our powerful downlight options into the bottom lens area. Rincon's smart styling can be accentuated by multiple acrylic and lamping options. Finishes range from satin stainless steel to solid polished brass. By customizing metal colors and acrylics, you may accent most any room.

~Rincon Series~

- Chandelier: CH-9100~CH-9111
- Pendant: PD-9100~PD-9131
- Ceiling Mount: CL-9100~CL-9108
- Wall Mount: SC-9100~SC-9111
- Bollard: BL-9100~BL-9111

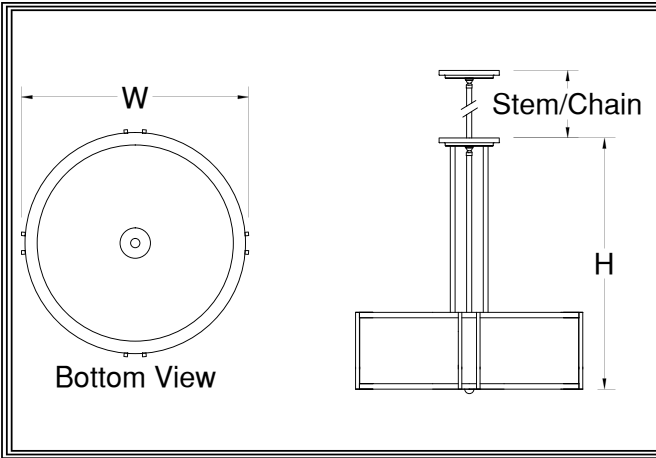
Mounting: Lightsmith fixtures mount to standard 4" octagon electrical boxes unless otherwise specified. All hardware and canopies supplied.

Listing and Warranty: Lightsmith fixtures are Underwriters Laboratories listed and carry a standard three year warranty against defects in materials and labor beginning at date of shipment.



Fixture Specifications

PD-91__ ~
 DIFFUSER (Example: BGA-ECH) ~
 METAL FINISH (Example: ABB) ~
 VOLTAGE (120V, 277V, 347V) ~
 STEM=S+Lgth (Example: S-96") CHAIN=C+Lgth (Example: C-96") NR=Not required ~
 OPTIONS (Example: DIM,REM) ~
 MODIFICATIONS (Example: Custom Paint*) Use "Notes" Box At Top To Explain Modifications



PD-91__
 Fixture Number Job Type
 Job Name
 Notes~Modifications

| | Fixture Number | Dimensions | Lamping | Weight | Stem/Chain | Options |
|--------------|----------------------------------|------------|-----------|--------|------------|--------------------|
| LED | <input type="checkbox"/> PD-9109 | 18w x 20h | 4-13wCLED | 13 lbs | 3' Std | DALI,IEM,TPL,FUS** |
| | <input type="checkbox"/> PD-9110 | 24w x 26h | 6-13wCLED | 16 lbs | 6' Std | L423,L623 |
| | <input type="checkbox"/> PD-9111 | 30w x 33h | 4-23wCLED | 20 lbs | 9' Std | L423,L623,L311 |
| | <input type="checkbox"/> PD-9112 | 38w x 42h | 4-38wCLED | 24 lbs | 9' Std | L623,L823,L611 |
| | <input type="checkbox"/> PD-9113 | 46w x 50h | 6-52wCLED | 31 lbs | 12' Std | L623,L823,L611 |
| INCANDESCENT | <input type="checkbox"/> PD-9120 | 18w x 20h | 3-100wA | 11 lbs | 3' Std | N250 |
| | <input type="checkbox"/> PD-9100 | 24w x 26h | 3-150wA | 14 lbs | 6' Std | N300 |
| | <input type="checkbox"/> PD-9121 | 30w x 33h | 6-100wA | 16 lbs | 9' Std | N300 |
| | <input type="checkbox"/> PD-9101 | 38w x 42h | 6-150wA | 19 lbs | 9' Std | N500 |
| | <input type="checkbox"/> PD-9102 | 46w x 50h | 12-150wA | 25 lbs | 12' Std | N500 |
| FLUORESCENT | <input type="checkbox"/> PD-9130 | 18w x 20h | 2-42wCFT | 12 lbs | 3' Std | DIM,IEM,TPL,FUS* |
| | <input type="checkbox"/> PD-9103 | 24w x 26h | 4-42wCFT | 15 lbs | 6' Std | F242 |
| | <input type="checkbox"/> PD-9131 | 30w x 33h | 6-42wCFT | 18 lbs | 9' Std | F242 |
| | <input type="checkbox"/> PD-9104 | 38w x 42h | 6-FT40w | 22 lbs | 9' Std | F442 |
| | <input type="checkbox"/> PD-9105 | 46w x 50h | 8-FT50w | 28 lbs | 12' Std | F442 |

~Two Circuits Standard Wiring~

*All Fluorescent Fixtures
**All LED Fixtures

| DIFFUSER | DIFFUSER | DIFFUSER |
|---|---|---|
| <input type="checkbox"/> BGA: Beige Alabaster Acrylic | <input type="checkbox"/> GRA: Green Edge Acrylic | <input type="checkbox"/> ECH: Etched* |
| <input type="checkbox"/> NHA: Natural Horn Acrylic | <input type="checkbox"/> EGA: Earth Green Acrylic | *Etched option creates a matte, non-glossy finish on one side of the diffuser. (Example: WOA-ECH) |
| <input type="checkbox"/> WHA: White Alabaster Acrylic | <input type="checkbox"/> DGA: Deep Gold Acrylic | |
| <input type="checkbox"/> HNA: Honey Alabaster Acrylic | <input type="checkbox"/> SBA: Sea Blue Acrylic | |
| <input type="checkbox"/> WOA: White Opal Acrylic | <input type="checkbox"/> PHA: Purple Haze Acrylic | |

| METAL FINISH | METAL FINISH | METAL FINISH | METAL FINISH |
|---|--|---|--|
| <input type="checkbox"/> ABB: Antique Brass | <input type="checkbox"/> DGP: Dark Green | <input type="checkbox"/> SAA: Satin Aluminum | <input type="checkbox"/> SSS: Satin |
| <input type="checkbox"/> SBB: Satin Brass | <input type="checkbox"/> VGP: Verde Green | <input type="checkbox"/> SNA: Satin Nickel | <input type="checkbox"/> DSS: Distressed |
| <input type="checkbox"/> PBB: Polished Brass | <input type="checkbox"/> CGP: Charcoal Gray | <input type="checkbox"/> PAA: Polished Aluminum | <input type="checkbox"/> PSS: Polished |
| <input type="checkbox"/> ANB: Antique Nickel | <input type="checkbox"/> MBP: Medium Bronze | <input type="checkbox"/> BBA: Burnished Bronze | <input type="checkbox"/> HSS: Hammered |
| <input type="checkbox"/> SNB: Satin Nickel | <input type="checkbox"/> SBP: Satin Black | <input type="checkbox"/> RNA: Red Naval Bronze | |
| <input type="checkbox"/> PNB: Polished Nickel | <input type="checkbox"/> DBP: Dark Bronze | <input type="checkbox"/> SGA: Satin Gold | |
| <input type="checkbox"/> AZB: Antique Bronze | <input type="checkbox"/> LBP: Light Bronze | <input type="checkbox"/> SBA: Satin Bronze | |
| <input type="checkbox"/> SZB: Satin Bronze | <input type="checkbox"/> MGP: Medium Gold | <input type="checkbox"/> ORA: Oil Rubbed Bronze | |
| <input type="checkbox"/> PZB: Polished Bronze | <input type="checkbox"/> SCP: Sponged Copper | <input type="checkbox"/> SCA: Satin Copper | |
| <input type="checkbox"/> CSB: Custom Brass* | <input type="checkbox"/> CSP: Custom Paint* | <input type="checkbox"/> CSA: Custom Aluminum* | <input type="checkbox"/> CSS: Custom SS* |

| OPTIONS | OPTIONS | OPTIONS |
|--|--|---|
| <input type="checkbox"/> N250: 250wPar38 Downlight | <input type="checkbox"/> L311: 3-11wCLED Uplight | <input type="checkbox"/> FUS: Fusing |
| <input type="checkbox"/> N300: 300wPar56 Downlight | <input type="checkbox"/> L611: 6-11wCLED Uplight | <input type="checkbox"/> IEM: Integral Emer.Ballast |
| <input type="checkbox"/> N500: 500wPar56 Downlight | <input type="checkbox"/> L423: 4-23wCLED Downlight | <input type="checkbox"/> DALI: Dali dimming LED |
| <input type="checkbox"/> DIM: Dimming Ballast | <input type="checkbox"/> L623: 6-23wCLED Downlight | <input type="checkbox"/> F242: 2-42wCFT Downlight |
| <input type="checkbox"/> TPL: Top Lens | <input type="checkbox"/> L823: 8-23wCLED Downlight | <input type="checkbox"/> F442: 4-42wCFT Downlight |

