



Budapest

PD-8900~PD-8931

Our Budapest fixtures are drum fixtures constructed from large diameter metal spinnings and interlocking rectangular metal frames. They come in pendant, sconce, and ceiling versions to fit a variety of areas. Their puzzle quality is quite the conversation piece. So how do you get lamps into a sealed drum? Very interesting! We enjoy making them as much as onlookers enjoy understanding them. Budapest comes in a variety of lampings...LED, CFL, and incandescent. Metal finish and acrylic types are totally optional to allow customers to make a statement anywhere.

~Budapest Series~

Chandelier: CH-8900~CH-8911

Pendant: PD-8900~PD-8931

Ceiling Mount: CL-8900~CL-8908

Wall Mount: SC-8900~SC-8911

Bollard: BL-8900~BL-8911

Mounting: Lightsmith fixtures mount to standard 4" octagon electrical boxes unless otherwise specified. All hardware and canopies supplied.

Listing and Warranty: Lightsmith fixtures are Underwriters Laboratories listed and carry a standard three year warranty against defects in materials and labor beginning at date of shipment.



Fixture Specifications

PD-89

FIXTURE NUMBER
(Example: PD-8900)

~

DIFFUSER
(Example: BGA-ECH)

~

METAL FINISH
(Example: ABB)

~

VOLTAGE
 (120V)
 (277V)
 (347V)

~

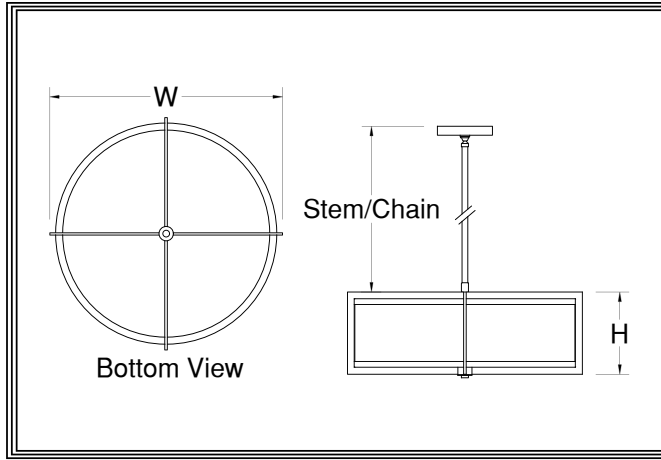
STEM=S+Lgth
(Example: S-96")
CHAIN=C+Lgth
(Example: C-96")
NR=Not required

~

OPTIONS
(Example: DIM, REM)

~

MODIFICATIONS
(Example: Custom Paint*)
Use "Notes" Box At Top To Explain Modifications



PD-89__

Fixture Number Job Type

Job Name

Notes~Modifications

	Fixture Number	Dimensions	Lamping	Weight	Stem/Chain	Options
LED	<input type="checkbox"/> PD-8909	18w x 8h	4-13wCLED (5640 lumens)	10 lbs	3' Std	DALI,IEM,TPL,FUS**
	<input type="checkbox"/> PD-8910	24w x 10h	6-13wCLED (8460 lumens)	14 lbs	6' Std	L423,L623
	<input type="checkbox"/> PD-8911	30w x 12h	4-23wCLED (11160 lumens)	24 lbs	9' Std	L423,L623,L311
	<input type="checkbox"/> PD-8912	38w x 14h	4-38wCLED (22936 lumens)	29 lbs	9' Std	L623,L823,L611
	<input type="checkbox"/> PD-8913	46w x 16h	6-52wCLED (56250 lumens)	39 lbs	12' Std	L623,L823,L611
INCANDESCENT	<input type="checkbox"/> PD-8920	18w x 8h	3-100wA (5220 lumens)	8 lbs	3' Std	N250
	<input type="checkbox"/> PD-8900	24w x 10h	3-150wA (7950 lumens)	12 lbs	6' Std	N300
	<input type="checkbox"/> PD-8921	30w x 12h	6-100wA (10440 lumens)	21 lbs	9' Std	N300
	<input type="checkbox"/> PD-8901	38w x 14h	6-150wA (15900 lumens)	26 lbs	9' Std	N500
	<input type="checkbox"/> PD-8902	46w x 16h	12-150wA (31800 lumens)	36 lbs	12' Std	N500
FLUORESCENT	<input type="checkbox"/> PD-8930	18w x 8h	2-42wCFT (6400 lumens)	9 lbs	3' Std	DIM,IEM,TPL,FUS*
	<input type="checkbox"/> PD-8903	24w x 10h	4-42wCFT (12800 lumens)	14 lbs	6' Std	F242
	<input type="checkbox"/> PD-8931	30w x 12h	6-42wCFT (19200 lumens)	23 lbs	9' Std	F242
	<input type="checkbox"/> PD-8904	38w x 14h	6-FT40W (19800 lumens)	28 lbs	9' Std	F442
	<input type="checkbox"/> PD-8905	46w x 16h	8-FT50W (34400 lumens)	38 lbs	12' Std	F442

*One Circuit Standard Wiring~

*All Fluorescent Fixtures
**All LED Fixtures

DIFFUSER	DIFFUSER	DIFFUSER
<input type="checkbox"/> BGA: Beige Alabaster Acrylic	<input type="checkbox"/> GRA: Green Edge Acrylic	<input type="checkbox"/> ECH: Etched*
<input type="checkbox"/> NHA: Natural Horn Acrylic	<input type="checkbox"/> EGA: Earth Green Acrylic	*Etched option creates a matte, non-glossy finish on one side of the diffuser. (Example: WOA-ECH)
<input type="checkbox"/> WHA: White Alabaster Acrylic	<input type="checkbox"/> DGA: Deep Gold Acrylic	
<input type="checkbox"/> HNA: Honey Alabaster Acrylic	<input type="checkbox"/> SBA: Sea Blue Acrylic	
<input type="checkbox"/> WOA: White Opal Acrylic	<input type="checkbox"/> PHA: Purple Haze Acrylic	

METAL FINISH	SOLID BRASS FINISHES	PAINTED METAL FINISHES	ALUMINUM FINISHES	STAINLESS STEEL FINISHES
<input type="checkbox"/> ABB: Antique Brass	<input type="checkbox"/> DGP: Dark Green	<input type="checkbox"/> SAA: Satin Aluminum	<input type="checkbox"/> SSS: Satin	
<input type="checkbox"/> SBB: Satin Brass	<input type="checkbox"/> VGP: Verde Green	<input type="checkbox"/> SNA: Satin Nickel	<input type="checkbox"/> DSS: Distressed	
<input type="checkbox"/> PBB: Polished Brass	<input type="checkbox"/> CGP: Charcoal Gray	<input type="checkbox"/> PAA: Polished Aluminum	<input type="checkbox"/> PSS: Polished	
<input type="checkbox"/> ANB: Antique Nickel	<input type="checkbox"/> MBP: Medium Bronze	<input type="checkbox"/> BBA: Burnished Bronze	<input type="checkbox"/> HSS: Hammered	
<input type="checkbox"/> SNB: Satin Nickel	<input type="checkbox"/> SBP: Satin Black	<input type="checkbox"/> RNA: Red Naval Bronze		
<input type="checkbox"/> PNB: Polished Nickel	<input type="checkbox"/> DBP: Dark Bronze	<input type="checkbox"/> SGA: Satin Gold		
<input type="checkbox"/> AZB: Antique Bronze	<input type="checkbox"/> LBP: Light Bronze	<input type="checkbox"/> SBA: Satin Bronze		
<input type="checkbox"/> SZB: Satin Bronze	<input type="checkbox"/> MGP: Medium Gold	<input type="checkbox"/> ORA: Oil Rubbed Bronze		
<input type="checkbox"/> PZB: Polished Bronze	<input type="checkbox"/> SCP: Sponged Copper	<input type="checkbox"/> SCA: Satin Copper		
<input type="checkbox"/> CSB: Custom Brass*	<input type="checkbox"/> CSP: Custom Paint*	<input type="checkbox"/> CSA: Custom Aluminum*	<input type="checkbox"/> CSS: Custom SS*	

OPTIONS	OPTIONS	OPTIONS
<input type="checkbox"/> N250: 250wPar38 Downlight	<input type="checkbox"/> L311: 3-11wCLED Uplight	<input type="checkbox"/> FUS: Fusing
<input type="checkbox"/> N300: 300wPar56 Downlight	<input type="checkbox"/> L611: 6-11wCLED Uplight	<input type="checkbox"/> IEM: Integral Emer.Ballast
<input type="checkbox"/> N500: 500wPar56 Downlight	<input type="checkbox"/> L423: 4-23wCLED Downlight	<input type="checkbox"/> DALI: Dali dimming LED
<input type="checkbox"/> DIM: Dimming Ballast	<input type="checkbox"/> L623: 6-23wCLED Downlight	<input type="checkbox"/> F242: 2-42wCFT Downlight
<input type="checkbox"/> TPL: Top Lens	<input type="checkbox"/> L823: 8-23wCLED Downlight	<input type="checkbox"/> F442: 4-42wCFT Downlight