



Algiers

SC-8600~SC-8611

Our Algiers fixtures are a very classic design. Their likeness appears in old black and white movies. And before that, they would have been seen in castle hallways next to maces and broadswords hung on the stone walls. The original reason for the long support rod was to make the torch transportable...maybe the original flashlight. You grabbed it out of it's bracket and then up the stairs at night. We thought something with a history so lasting deserved to be remade again. Available in a variety of colors and as modular and screw in LED versions. Just very special fixtures.

~Algiers Series~

- Chandelier: CH-8600~CH-8611
- Pendant: PD-8600~PD-8631
- Ceiling Mount: CL-8600~CL-8608
- Wall Mount: SC-8600~SC-8611**
- Bollard: BL-8600~BL-8611

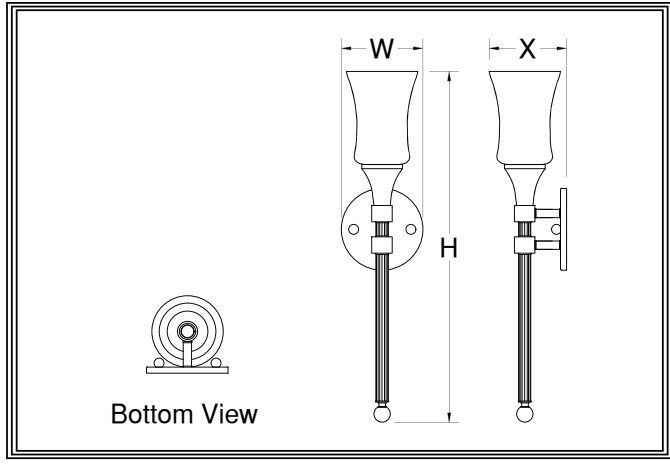
Mounting: Lightsmith fixtures mount to standard 4" octagon electrical boxes unless otherwise specified. All hardware and canopies supplied.

Listing and Warranty: Lightsmith fixtures are Underwriters Laboratories listed and carry a standard three year warranty against defects in materials and labor beginning at date of shipment.



Fixture Specifications

SC-86 <small>FIXTURE NUMBER (Example: SC-8600)</small>	~	<input type="checkbox"/> <small>DIFFUSER (Example: WOG)</small>	~	<input type="checkbox"/> <small>METAL FINISH (Example: ABB)</small>	~	<input type="checkbox"/> <small>VOLTAGE (120V) (277V) (347V)</small>	~	<input type="checkbox"/> <small>NR STEM=S+Lgth (Example:S-96") CHAIN=C+Lgth (Example:C-96") NR=Not required</small>	~	<input type="checkbox"/> <small>OPTIONS (Example:SPR)</small>	~	<input type="checkbox"/> <small>MODIFICATIONS (Example:Custom Paint") Use "Notes" Box At Top To Explain Modifications</small>
--	---	---	---	---	---	--	---	---	---	---	---	---



SC-86

Fixture Number Job Type

Job Name

Notes~Modifications

	Fixture Number	Dimensions	Lamping	Weight	Options
LED	<input type="checkbox"/> SC-8604 <input type="checkbox"/> SC-8610 <input type="checkbox"/> SC-8611	5w x 22h x 4x* 12w x 22h x 5x 18w x 22h x 5x	1-11wCLED (2385 lumens) ~1 arm 2-11wCLED (4770 lumens) ~2 arms 3-11wCLED (7155 lumens) ~3 arms	7 lbs 10 lbs 13 lbs	WLM WLM WLM REM,SPR**
INCANDESCENT	<input type="checkbox"/> SC-8600 <input type="checkbox"/> SC-8601 <input type="checkbox"/> SC-8602	5w x 22h x 4x* 12w x 22h x 5x 18w x 22h x 5x	1-60wA (800 lumens) ~1 arm 2-60wA (1600 lumens) ~2 arms 3-60wA (2400 lumens) ~3 arms	5 lbs 8 lbs 12 lbs	WLM WLM WLM
FLUORESCENT	<input type="checkbox"/> <input type="checkbox"/> <input type="checkbox"/>				

*ADA Fixture ~Single Circuit Standard Wiring~ **All LED Fixtures

<input type="checkbox"/> WOG: White Opal Glass <input type="checkbox"/> <input type="checkbox"/> <input type="checkbox"/>	<input type="checkbox"/> ECH: Etched* <i>*Etched option creates a matte, non-glossy finish on one side of the diffuser. (Example:WOA-ECH)</i>
---	---

	SOLID BRASS FINISHES	PAINTED METAL FINISHES	ALUMINUM FINISHES	STAINLESS STEEL FINISHES
METAL FINISH	<input type="checkbox"/> ABB: Antique Brass <input type="checkbox"/> SBB: Satin Brass <input type="checkbox"/> PBB: Polished Brass <input type="checkbox"/> ANB: Antique Nickel <input type="checkbox"/> SNB: Satin Nickel <input type="checkbox"/> PNB: Polished Nickel <input type="checkbox"/> AZB: Antique Bronze <input type="checkbox"/> SZB: Satin Bronze <input type="checkbox"/> PZB: Polished Bronze <input type="checkbox"/> CSB: Custom Brass*	<input type="checkbox"/> DGP: Dark Green <input type="checkbox"/> VGP: Verde Green <input type="checkbox"/> CGP: Charcoal Gray <input type="checkbox"/> MBP: Medium Bronze <input type="checkbox"/> SBP: Satin Black <input type="checkbox"/> DBP: Dark Bronze <input type="checkbox"/> LBP: Light Bronze <input type="checkbox"/> MGP: Medium Gold <input type="checkbox"/> SCP: Sponged Copper <input type="checkbox"/> CSP: Custom Paint*	<input type="checkbox"/> SAA: Satin Aluminum <input type="checkbox"/> SNA: Satin Nickel <input type="checkbox"/> PAA: Polished Aluminum <input type="checkbox"/> BBA: Burnished Bronze <input type="checkbox"/> RNA: Red Naval Bronze <input type="checkbox"/> SGA: Satin Gold <input type="checkbox"/> SBA: Satin Bronze <input type="checkbox"/> ORA: Oil Rubbed Bronze <input type="checkbox"/> SCA: Satin Copper <input type="checkbox"/> CSA: Custom Aluminum*	<input type="checkbox"/> NA <input type="checkbox"/> <input type="checkbox"/> <input type="checkbox"/> <input type="checkbox"/> <input type="checkbox"/> <input type="checkbox"/> <input type="checkbox"/> <input type="checkbox"/> <input type="checkbox"/>

<input type="checkbox"/> WLM: Wet Location Mounting <input type="checkbox"/> <input type="checkbox"/>	<input type="checkbox"/> REM: Remote Emer.Ballast* <input type="checkbox"/> <input type="checkbox"/>	<input type="checkbox"/> SPR: Surge protector <input type="checkbox"/> <input type="checkbox"/>
--	---	--