



Copenhagen

SC-8500~SC-8511

Our Copenhagen fixtures have just a hint of Art Deco mixed up with Mondrian reveals. They are truly contemporary classics. The sconces and pendants of this series feature heavy linear frames with thinner square sections surrounding some very attractive acrylic cylinders. The colors of the cylinders are totally changeable according to what best fits the theme of the room. Metal sections may be brass or aluminum with finishes ranging from polished brass to satin aluminum and all points in between. Our lamping options are fantastic. Use our LEDs and quit changing lamps!

~Copenhagen Series~

Chandelier: CH-8500~CH-8511

Pendant: PD-8500~PD-8531

Ceiling Mount: CL-8500~CL-8508

Wall Mount: SC-8500~SC-8511

Bollard: BL-8500~BL-8511

Mounting: Lightsmith fixtures mount to standard 4" octagon electrical boxes unless otherwise specified. All hardware and canopies supplied.

Listing and Warranty: Lightsmith fixtures are Underwriters Laboratories listed and carry a standard three year warranty against defects in materials and labor beginning at date of shipment.



Fixture Specifications

SC-85

FIXTURE NUMBER
(Example: SC-8500)

~

DIFFUSER
(Example: BGA-ECH)

~

METAL FINISH
(Example: ABB)

~

VOLTAGE
 (120V)
 (277V)
 (347V)

~

NR

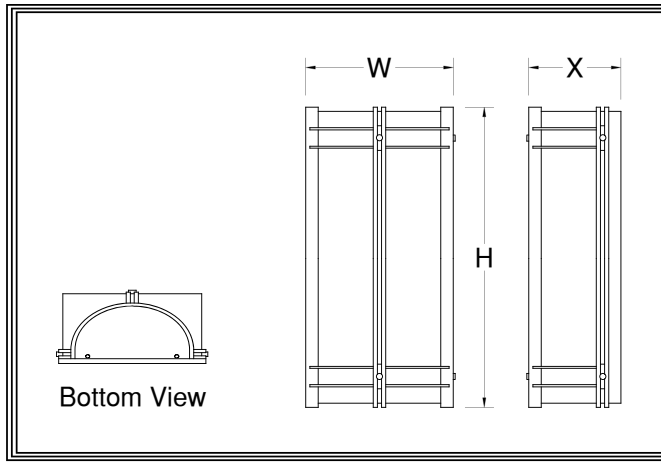
STEM=S+Lgth
(Example: S-96")
CHAIN=C+Lgth
(Example: C-96")
NR=Not required

~

OPTIONS
(Example: DIM,IEM)

~

MODIFICATIONS
(Example: Custom Paint)
Use "Notes" Box At Top To Explain Modifications



SC-85
Fixture Number Job Type

Job Name

Notes~Modifications

	Fixture Number	Dimensions	Lamping	Weight	Options
LED	<input type="checkbox"/> SC-8509	6w x 17h x 4x*	2-13wLED (2820 lumens)	5 lbs	L111,WLM
	<input type="checkbox"/> SC-8510	8w x 23h x 5x	3-13wLED (4230 lumens)	6 lbs	L113,WLM
	<input type="checkbox"/> SC-8511	10w x 28h x 6x	4-13wLED (5640 lumens)	8 lbs	L123,WLM DALI,IEM,FUS**
INCANDESCENT	<input type="checkbox"/> SC-8500	6w x 17h x 4x*	2-60wT10 (1600 lumens)	4 lbs	WLM
	<input type="checkbox"/> SC-8501	8w x 23h x 5x	3-60wA (2400 lumens)	5 lbs	WLM
	<input type="checkbox"/> SC-8502	10w x 28h x 6x	4-60wA (3200 lumens)	7 lbs	WLM
FLUORESCENT	<input type="checkbox"/> SC-8503	6w x 17h x 4x*	2-FT24W (3600 lumens)	5 lbs	L111,WLM
	<input type="checkbox"/> SC-8504	8w x 23h x 5x	2-FT36W (5800 lumens)	6 lbs	L113,WLM
	<input type="checkbox"/> SC-8505	10w x 28h x 6x	2-FT40W (6600 lumens)	8 lbs	L123,WLM DIM,IEM,FUS*

*ADA Fixture

~Single Circuit Standard Wiring~

*All Fluorescent Fixtures
**All LED Fixtures

DIFFUSER	<input type="checkbox"/> BGA: Beige Alabaster Acrylic	<input type="checkbox"/> GRA: Green Edge Acrylic	<input type="checkbox"/> ECH: Etched*
	<input type="checkbox"/> NHA: Natural Horn Acrylic	<input type="checkbox"/> EGA: Earth Green Acrylic	*Etched option creates a matte, non-glossy finish on one side of the diffuser. (Example: WOA-ECH)
	<input type="checkbox"/> WHA: White Alabaster Acrylic	<input type="checkbox"/> DGA: Deep Gold Acrylic	
	<input type="checkbox"/> HNA: Honey Alabaster Acrylic	<input type="checkbox"/> SBA: Sea Blue Acrylic	
	<input type="checkbox"/> WOA: White Opal Acrylic	<input type="checkbox"/> PHA: Purple Haze Acrylic	

	SOLID BRASS FINISHES	PAINTED METAL FINISHES	ALUMINUM FINISHES	STAINLESS STEEL FINISHES
METAL FINISH	<input type="checkbox"/> ABB: Antique Brass	<input type="checkbox"/> DGP: Dark Green	<input type="checkbox"/> SAA: Satin Aluminum	<input type="checkbox"/> SSS: Satin
	<input type="checkbox"/> SBB: Satin Brass	<input type="checkbox"/> VGP: Verde Green	<input type="checkbox"/> SNA: Satin Nickel	<input type="checkbox"/> DSS: Distressed
	<input type="checkbox"/> PBB: Polished Brass	<input type="checkbox"/> CGP: Charcoal Gray	<input type="checkbox"/> PAA: Polished Aluminum	<input type="checkbox"/> PSS: Polished
	<input type="checkbox"/> ANB: Antique Nickel	<input type="checkbox"/> MBP: Medium Bronze	<input type="checkbox"/> BBA: Burnished Bronze	<input type="checkbox"/> HSS: Hammered
	<input type="checkbox"/> SNB: Satin Nickel	<input type="checkbox"/> SBP: Satin Black	<input type="checkbox"/> RNA: Red Naval Bronze	<input type="checkbox"/>
	<input type="checkbox"/> PNB: Polished Nickel	<input type="checkbox"/> DBP: Dark Bronze	<input type="checkbox"/> SGA: Satin Gold	<input type="checkbox"/>
	<input type="checkbox"/> AZB: Antique Bronze	<input type="checkbox"/> LBP: Light Bronze	<input type="checkbox"/> SBA: Satin Bronze	<input type="checkbox"/>
	<input type="checkbox"/> SZB: Satin Bronze	<input type="checkbox"/> MGP: Medium Gold	<input type="checkbox"/> ORA: Oil Rubbed Bronze	<input type="checkbox"/>
	<input type="checkbox"/> PZB: Polished Bronze	<input type="checkbox"/> SCP: Sponged Copper	<input type="checkbox"/> SCA: Satin Copper	<input type="checkbox"/>
	<input type="checkbox"/> CSB: Custom Brass*	<input type="checkbox"/> CSP: Custom Paint*	<input type="checkbox"/> CSA: Custom Aluminum*	<input type="checkbox"/>
	<input type="checkbox"/>			<input type="checkbox"/>
	<input type="checkbox"/>			<input type="checkbox"/>
	<input type="checkbox"/>			<input type="checkbox"/>
	<input type="checkbox"/>			<input type="checkbox"/>
	<input type="checkbox"/>			<input type="checkbox"/>

OPTIONS	<input type="checkbox"/> L111: 1-11wCLED Uplight	<input type="checkbox"/> DIM: Dimming Ballast	<input type="checkbox"/> FUS: Fusing
	<input type="checkbox"/> L113: 1-13wCLED Uplight	<input type="checkbox"/> IEM: Integral Emer.Ballast	<input type="checkbox"/> DALI: Dali dimming LED
	<input type="checkbox"/> L123: 1-23wCLED Uplight	<input type="checkbox"/> WLM: Wet Location Mounting	<input type="checkbox"/>
	<input type="checkbox"/>	<input type="checkbox"/>	<input type="checkbox"/>
	<input type="checkbox"/>	<input type="checkbox"/>	<input type="checkbox"/>