



Galway

SC-8300~SC-8311

Our Galway fixtures are formed metal and acrylic shields that can greatly alter the appearance of a commonplace room. Their lack of visual ornamentation is a great help in blending to different environments. Galway shapes are made from metal or acrylic. Metal Galway sconces are just curving escutcheons throwing light around the curving edges of the fixture. Acrylic Galway's are curving linear shapes throwing light 360° in all directions. Besides rugged good looks, these fixtures also offer performance packages sure to please exacting lighting specifiers. Our modular LED arrays offer long life and quiet power.

~Galway Series~

- Chandelier: CH-8300~CH-8311
- Pendant: PD-8300~PD-8331
- Ceiling Mount: CL-8300~CL-8308
- Wall Mount: SC-8300~SC-8311
- Bollard: BL-8300~BL-8311

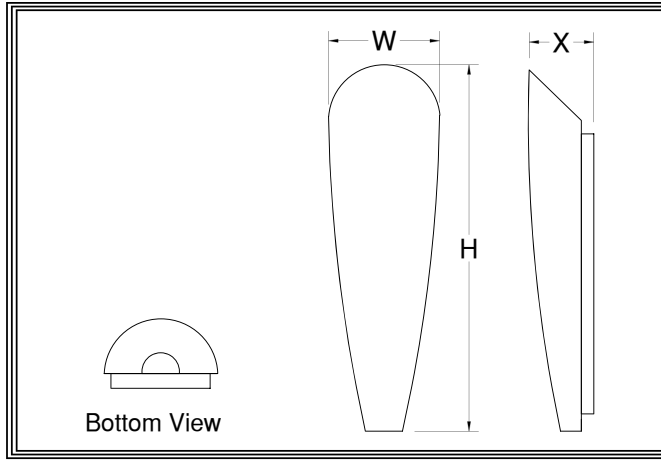
Mounting: Lightsmith fixtures mount to standard 4" octagon electrical boxes unless otherwise specified. All hardware and canopies supplied.

Listing and Warranty: Lightsmith fixtures are Underwriters Laboratories listed and carry a standard three year warranty against defects in materials and labor beginning at date of shipment.



Fixture Specifications

SC-83 <small>FIXTURE NUMBER (Example: SC-8300)</small>	~	<small>DIFFUSER (Example: BGA-ECH)</small>	~	<small>METAL FINISH (Example: ABB)</small>	~	<small>VOLTAGE</small> <input type="checkbox"/> (120V) <input type="checkbox"/> (277V) <input type="checkbox"/> (347V)	~	NR <small>STEM=S+Lgth (Example: S-96") CHAIN=C+Lgth (Example: C-96") NR=Not required</small>	~	<small>OPTIONS (Example: DIM,IEM)</small>	~	<small>MODIFICATIONS (Example: Custom Paint) Use "Notes" Box At Top To Explain Modifications</small>
--	---	--	---	--	---	---	---	--	---	---	---	---



SC-83 _____

Fixture Number Job Type

Job Name

Notes~Modifications

	Fixture Number	Dimensions	Lamping	Weight	Options
LED	<input type="checkbox"/> SC-8309	7w x 21h x 4x*	2-13WLED (2820 lumens)	6 lbs	L111,WLM
	<input type="checkbox"/> SC-8310	9w x 27h x 5x	4-13WLED (5640 lumens)	8 lbs	L113,WLM
	<input type="checkbox"/> SC-8311	11w x 33h x 6x	6-13WLED (8460 lumens)	11 lbs	L123,WLM DALI,IEM,FUS**
INCANDESCENT	<input type="checkbox"/> SC-8300	7w x 21h x 4x*	2-60WA (1600 lumens)	4 lbs	WLM
	<input type="checkbox"/> SC-8301	9w x 27h x 5x	3-60WA (2400 lumens)	6 lbs	WLM
	<input type="checkbox"/> SC-8302	11w x 33h x 6x	4-60WA (3200 lumens)	9 lbs	WLM
FLUORESCENT	<input type="checkbox"/> SC-8303	7w x 21h x 4x*	2-FT36W (5800 lumens)	6 lbs	L111,WLM
	<input type="checkbox"/> SC-8304	9w x 27h x 5x	2-FT40W (6600 lumens)	8 lbs	L113,WLM
	<input type="checkbox"/> SC-8305	11w x 33h x 6x	2-FT50W (8600 lumens)	10 lbs	L123,WLM DIM,IEM,FUS*

*ADA Fixture

~Single Circuit Standard Wiring~

*All Fluorescent Fixtures
**All LED Fixtures

DIFFUSER			
DIFFUSER	<input type="checkbox"/> BGA: Beige Alabaster Acrylic	<input type="checkbox"/> GRA: Green Edge Acrylic	<input type="checkbox"/> ECH: Etched*
	<input type="checkbox"/> NHA: Natural Horn Acrylic	<input type="checkbox"/> EGA: Earth Green Acrylic	
	<input type="checkbox"/> WHA: White Alabaster Acrylic	<input type="checkbox"/> DGA: Deep Gold Acrylic	
	<input type="checkbox"/> HNA: Honey Alabaster Acrylic	<input type="checkbox"/> SBA: Sea Blue Acrylic	<i>*Etched option creates a matte, non-glossy finish on one side of the diffuser. (Example: WOA-ECH)</i>
	<input type="checkbox"/> WOA: White Opal Acrylic	<input type="checkbox"/> PHA: Purple Haze Acrylic	

	SOLID BRASS FINISHES	PAINTED METAL FINISHES	ALUMINUM FINISHES	STAINLESS STEEL FINISHES
METAL FINISH	<input type="checkbox"/> ABB: Antique Brass	<input type="checkbox"/> DGP: Dark Green	<input type="checkbox"/> SAA: Satin Aluminum	<input type="checkbox"/> SSS: Satin
	<input type="checkbox"/> SBB: Satin Brass	<input type="checkbox"/> VGP: Verde Green	<input type="checkbox"/> SNA: Satin Nickel	<input type="checkbox"/> DSS: Distressed
	<input type="checkbox"/> PBB: Polished Brass	<input type="checkbox"/> CGP: Charcoal Gray	<input type="checkbox"/> PAA: Polished Aluminum	<input type="checkbox"/> PSS: Polished
	<input type="checkbox"/> ANB: Antique Nickel	<input type="checkbox"/> MBP: Medium Bronze	<input type="checkbox"/> BBA: Burnished Bronze	<input type="checkbox"/> HSS: Hammered
	<input type="checkbox"/> SNB: Satin Nickel	<input type="checkbox"/> SBP: Satin Black	<input type="checkbox"/> RNA: Red Naval Bronze	<input type="checkbox"/>
	<input type="checkbox"/> PNB: Polished Nickel	<input type="checkbox"/> DBP: Dark Bronze	<input type="checkbox"/> SGA: Satin Gold	<input type="checkbox"/>
	<input type="checkbox"/> AZB: Antique Bronze	<input type="checkbox"/> LBP: Light Bronze	<input type="checkbox"/> SBA: Satin Bronze	<input type="checkbox"/>
	<input type="checkbox"/> SZB: Satin Bronze	<input type="checkbox"/> MGP: Medium Gold	<input type="checkbox"/> ORA: Oil Rubbed Bronze	<input type="checkbox"/>
	<input type="checkbox"/> PZB: Polished Bronze	<input type="checkbox"/> SCP: Sponged Copper	<input type="checkbox"/> SCA: Satin Copper	<input type="checkbox"/>
	<input type="checkbox"/> CSB: Custom Brass*	<input type="checkbox"/> CSP: Custom Paint*	<input type="checkbox"/> CSA: Custom Aluminum*	<input type="checkbox"/>
				<input type="checkbox"/> CSS: Custom SS*
				<input type="checkbox"/>
				<input type="checkbox"/>
				<input type="checkbox"/>

OPTIONS		
OPTIONS	<input type="checkbox"/> L111: 1-11wCLED Uplight	<input type="checkbox"/> DIM: Dimming Ballast
	<input type="checkbox"/> L113: 1-13wCLED Uplight	<input type="checkbox"/> IEM: Integral Emer.Ballast
	<input type="checkbox"/> L123: 1-23wCLED Uplight	<input type="checkbox"/> WLM: Wet Location Mounting
	<input type="checkbox"/>	<input type="checkbox"/>
	<input type="checkbox"/>	<input type="checkbox"/>
	<input type="checkbox"/>	<input type="checkbox"/>