



São Paulo

SC-8100~SC-8111

Our São Paulo fixtures are well balanced sconces, pendants, and ceiling fixtures. Their square shape lends itself to almost any place needing edge-shaped light to highlight a room...or even an exterior wall. The framing of these fixtures may be aluminum, brass, or stainless steel. The accents are available in any of our standard powder coated finishes. And the front window panel is likewise available in any of our diffuser panel options. The lamping options for these fixtures range from compact fluorescent and incandescent sources all the way to efficient modular LED arrays.

~São Paulo Series~

- Chandelier: CH-8100~CH-8111
- Pendant: PD-8100~PD-8131
- Ceiling Mount: CL-8100~CL-8108
- Wall Mount: SC-8100~SC-8111
- Bollard: BL-8100~BL-8111

Mounting: Lightsmith fixtures mount to standard 4" octagon electrical boxes unless otherwise specified. All hardware and canopies supplied.

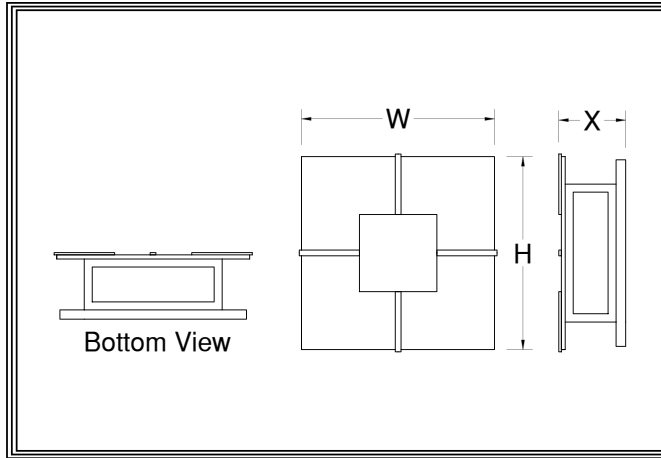
Listing and Warranty: Lightsmith fixtures are Underwriters Laboratories listed and carry a standard three year warranty against defects in materials and labor beginning at date of shipment.



Fixture Specifications

SC-81__ ~ [] ~ [] ~ [] ~ NR ~ [] ~ []

FIXTURE NUMBER (Example: SC-8100)
 DIFFUSER (Example: BGA-ECH)
 METAL FINISH (Example: ABB)
 VOLTAGE
 (120V)
 (277V)
 (347V)
 OPTIONS (Example: DIM,IEM)
 MODIFICATIONS (Example: Custom Paint*)
 Use "Notes" Box At Top To Explain Modifications



SC-81__ []

Fixture Number Job Type

[]

Job Name

[]

Notes~Modifications

	Fixture Number	Dimensions	Lamping	Weight	Options
LED	<input type="checkbox"/> SC-8109	14w x 14h x 4x*	4-11wCLED (4770 lumens)	7 lbs	L111,LUM
	<input type="checkbox"/> SC-8110	16w x 16h x 5x	4-13wCLED (5640 lumens)	9 lbs	L113,LUM
	<input type="checkbox"/> SC-8111	18w x 18h x 6x	4-23wCLED (11160 lumens)	11 lbs	L123,LUM DALI,IEM,FUS**
INCANDESCENT	<input type="checkbox"/> SC-8100	14w x 14h x 4x*	2-60wA (1600 lumens)	4 lbs	LUM
	<input type="checkbox"/> SC-8101	16w x 16h x 5x	3-60wA (2400 lumens)	6 lbs	LUM
	<input type="checkbox"/> SC-8102	18w x 18h x 6x	4-60wA (3200 lumens)	8 lbs	LUM
FLUORESCENT	<input type="checkbox"/> SC-8103	14w x 14h x 4x*	2-26wCFT (3600 lumens)	6 lbs	L111,LUM
	<input type="checkbox"/> SC-8104	16w x 16h x 5x	2-32wCFQ (4800 lumens)	8 lbs	L113,LUM
	<input type="checkbox"/> SC-8105	18w x 18h x 6x	2-42wCFQ (6400 lumens)	10 lbs	L123,LUM DIM,IEM,FUS*

*ADA Fixture

~Single Circuit Standard Wiring~

*All Fluorescent Fixtures
**All LED Fixtures

	DIFFUSER	ECH: Etched*
<input type="checkbox"/>	BGA: Beige Alabaster Acrylic	*Etched option creates a matte, non-glossy finish on one side of the diffuser. (Example: WOA-ECH)
<input type="checkbox"/>	NHA: Natural Horn Acrylic	
<input type="checkbox"/>	WHA: White Alabaster Acrylic	
<input type="checkbox"/>	HNA: Honey Alabaster Acrylic	
<input type="checkbox"/>	WOA: White Opal Acrylic	
<input type="checkbox"/>	GRA: Green Edge Acrylic	
<input type="checkbox"/>	EGA: Earth Green Acrylic	
<input type="checkbox"/>	DGA: Deep Gold Acrylic	
<input type="checkbox"/>	SBA: Sea Blue Acrylic	
<input type="checkbox"/>	PHA: Purple Haze Acrylic	

	SOLID BRASS FINISHES	PAINTED METAL FINISHES	ALUMINUM FINISHES	STAINLESS STEEL FINISHES
METAL FINISH	<input type="checkbox"/> ABB: Antique Brass	<input type="checkbox"/> DGP: Dark Green	<input type="checkbox"/> SAA: Satin Aluminum	<input type="checkbox"/> SSS: Satin
	<input type="checkbox"/> SBB: Satin Brass	<input type="checkbox"/> VGP: Verde Green	<input type="checkbox"/> SNA: Satin Nickel	<input type="checkbox"/> DSS: Distressed
	<input type="checkbox"/> PBB: Polished Brass	<input type="checkbox"/> CGP: Charcoal Gray	<input type="checkbox"/> PAA: Polished Aluminum	<input type="checkbox"/> PSS: Polished
	<input type="checkbox"/> ANB: Antique Nickel	<input type="checkbox"/> MBP: Medium Bronze	<input type="checkbox"/> BBA: Burnished Bronze	<input type="checkbox"/> HSS: Hammered
	<input type="checkbox"/> SNB: Satin Nickel	<input type="checkbox"/> SBP: Satin Black	<input type="checkbox"/> RNA: Red Naval Bronze	<input type="checkbox"/>
	<input type="checkbox"/> PNB: Polished Nickel	<input type="checkbox"/> DBP: Dark Bronze	<input type="checkbox"/> SGA: Satin Gold	<input type="checkbox"/>
	<input type="checkbox"/> AZB: Antique Bronze	<input type="checkbox"/> LBP: Light Bronze	<input type="checkbox"/> SBA: Satin Bronze	<input type="checkbox"/>
	<input type="checkbox"/> SZB: Satin Bronze	<input type="checkbox"/> MGP: Medium Gold	<input type="checkbox"/> ORA: Oil Rubbed Bronze	<input type="checkbox"/>
	<input type="checkbox"/> PZB: Polished Bronze	<input type="checkbox"/> SCP: Sponged Copper	<input type="checkbox"/> SCA: Satin Copper	<input type="checkbox"/>
	<input type="checkbox"/> CSB: Custom Brass*	<input type="checkbox"/> CSP: Custom Paint*	<input type="checkbox"/> CSA: Custom Aluminum*	<input type="checkbox"/> CSS: Custom SS*

	OPTIONS	FUS: Fusing	DALI: Dali dimming LED
<input type="checkbox"/>	L111: 1-11wCLED Uplight	<input type="checkbox"/>	<input type="checkbox"/>
<input type="checkbox"/>	L113: 1-13wCLED Uplight	<input type="checkbox"/>	<input type="checkbox"/>
<input type="checkbox"/>	L123: 1-23wCLED Uplight	<input type="checkbox"/>	<input type="checkbox"/>
<input type="checkbox"/>	DIM: Dimming Ballast	<input type="checkbox"/>	<input type="checkbox"/>
<input type="checkbox"/>	IEM: Integral Emer.Ballast	<input type="checkbox"/>	<input type="checkbox"/>
<input type="checkbox"/>	LUM: Lumicor™ Lens	<input type="checkbox"/>	<input type="checkbox"/>