



PD-800~PD-821

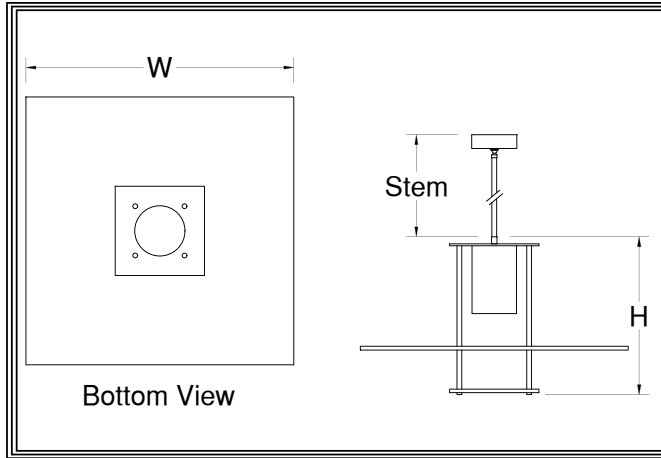
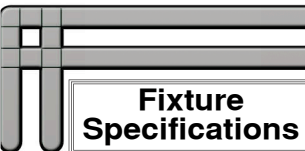
Our Pandora fixtures are layered sheets of acrylic or glass held together by tube spacers and contemporary knobs. They are designed primarily for downlighting, but as the light from above passes through the diffuser panels below, it spreads and then highlights the panel body and edges. This is especially true in clear diffusers. We etch the panel to enable better spread on the light and the edges glow all around the perimeter as a result. Very stunning fixtures that have new age appeal to them. Made for chic contemporary areas that require more than a downlight.

~Pandora Series~

- Chandelier: CH-801~CH-815
- Pendant: PD-800~PD-821
- Ceiling Mt: CL-800~CL-808
- Wall Mt: SC-800~SC-811
- Bollard: BL-800~BL-811

Mounting: Lightsmith fixtures mount to standard 4" octagon electrical boxes unless otherwise specified. All hardware and canopies supplied.

Listing and Warranty: Lightsmith fixtures are Underwriters Laboratories listed and carry a standard three year warranty against defects in materials and labor beginning at date of shipment.



PD-8__

Fixture Number Job Type

Job Name

Notes~Modifications

	Fixture Number	Dimensions	Lamping	Weight	Cables	Options
LED	<input type="checkbox"/> PD-809	20w x 12h	1-13wC(1410 lm)	13 lbs	3' Std	REM,SPR**
	<input type="checkbox"/> PD-810	24w x 14h	1-23wC(2790 lm)	21 lbs	3' Std	BLR,CEM
	<input type="checkbox"/> PD-811	30w x 18h	1-38wC(5734 lm)	25 lbs	6' Std	BLR,CEM
	<input type="checkbox"/> PD-812	36w x 22h	1-52wC(9375 lm)	28 lbs	6' Std	BLR,CEM
	<input type="checkbox"/> PD-813	48w x 28h	1-83wC(12597 lm)	34 lbs	9' Std	BLR,CEM
INCANDESCENT	<input type="checkbox"/> PD-820	20w x 12h	1-100wR30(1200 lm)	11 lbs	3' Std	L23
	<input type="checkbox"/> PD-800	24w x 14h	1-150wP38(1740 lm)	17 lbs	3' Std	L23
	<input type="checkbox"/> PD-821	30w x 18h	1-250wP38(3600 lm)	21 lbs	6' Std	L38
	<input type="checkbox"/> PD-801	36w x 22h	1-300wR40(3700 lm)	25 lbs	6' Std	L52
	<input type="checkbox"/> PD-802	48w x 28h	1-500wR40(5000 lm)	30 lbs	9' Std	L83
FLUORESCENT	<input type="checkbox"/>					

~Single Circuit Standard Wiring~

**All LED Fixtures

DIFFUSER	<input type="checkbox"/> GRA: Green Edge Acrylic	<input type="checkbox"/> GRG: Green Edge Glass	<input type="checkbox"/> ECH: Etched*
	<input type="checkbox"/> WOA: White Opal Acrylic	<input type="checkbox"/> WOG: White Opal Glass	*Etched option creates a matte, non-glossy finish on one side of the diffuser. (Example:WOA-ECH)
	<input type="checkbox"/>	<input type="checkbox"/>	
	<input type="checkbox"/>	<input type="checkbox"/>	
	<input type="checkbox"/>	<input type="checkbox"/>	

	SOLID BRASS FINISHES	PAINTED METAL FINISHES	ALUMINUM FINISHES	STAINLESS STEEL FINISHES
METAL FINISH	<input type="checkbox"/> ABB: Antique Brass	<input type="checkbox"/> DGP: Dark Green	<input type="checkbox"/> SAA: Satin Aluminum	<input type="checkbox"/> SSS: Satin
	<input type="checkbox"/> SBB: Satin Brass	<input type="checkbox"/> VGP: Verde Green	<input type="checkbox"/> SNA: Satin Nickel	<input type="checkbox"/> DSS: Distressed
	<input type="checkbox"/> PBB: Polished Brass	<input type="checkbox"/> CGP: Charcoal Gray	<input type="checkbox"/> PAA: Polished Aluminum	<input type="checkbox"/> PSS: Polished
	<input type="checkbox"/> ANB: Antique Nickel	<input type="checkbox"/> MBP: Medium Bronze	<input type="checkbox"/> BBA: Burnished Bronze	<input type="checkbox"/> HSS: Hammered
	<input type="checkbox"/> SNB: Satin Nickel	<input type="checkbox"/> SBP: Satin Black	<input type="checkbox"/> RNA: Red Naval Bronze	<input type="checkbox"/>
	<input type="checkbox"/> PNB: Polished Nickel	<input type="checkbox"/> DBP: Dark Bronze	<input type="checkbox"/> SGA: Satin Gold	<input type="checkbox"/>
	<input type="checkbox"/> AZB: Antique Bronze	<input type="checkbox"/> LBP: Light Bronze	<input type="checkbox"/> SBA: Satin Bronze	<input type="checkbox"/>
	<input type="checkbox"/> SZB: Satin Bronze	<input type="checkbox"/> MGP: Medium Gold	<input type="checkbox"/> ORA: Oil Rubbed Bronze	<input type="checkbox"/>
	<input type="checkbox"/> PZB: Polished Bronze	<input type="checkbox"/> SCP: Sponged Copper	<input type="checkbox"/> SCA: Satin Copper	<input type="checkbox"/>
	<input type="checkbox"/> CSB: Custom Brass*	<input type="checkbox"/> CSP: Custom Paint*	<input type="checkbox"/> CSA: Custom Aluminum*	<input type="checkbox"/>
	<input type="checkbox"/>			<input type="checkbox"/> CSS: Custom SS*
	<input type="checkbox"/>			<input type="checkbox"/>
	<input type="checkbox"/>			<input type="checkbox"/>
	<input type="checkbox"/>			<input type="checkbox"/>

OPTIONS	<input type="checkbox"/> BLC: Canopy Driver (Std)	<input type="checkbox"/> L23: 1-23wCLED Med Bs	<input type="checkbox"/> SPR: Surge protector
	<input type="checkbox"/> BLR: Remote Driver	<input type="checkbox"/> L38: 1-38wCLED Med Bs	<input type="checkbox"/> REM: Remote Emer.Ballast
	<input type="checkbox"/> CEM: Canopy Emer. Ballast	<input type="checkbox"/> L52: 1-52wCLED Med Bs	<input type="checkbox"/>
	<input type="checkbox"/> DIM: Dimming Driver (Std)	<input type="checkbox"/> L83: 1-83wCLED Med Bs	<input type="checkbox"/>
	<input type="checkbox"/>	<input type="checkbox"/>	<input type="checkbox"/>

PD-8__ ~ ~ ~ ~ ~ ~

FIXTURE NUMBER (Example: PD-800)	DIFFUSER (Example: GRA-ECH)	METAL FINISH (Example: ABB)	VOLTAGE <input type="checkbox"/> (120V) <input type="checkbox"/> (277V) <input type="checkbox"/> (347V)	STEM=S+Lgth (Example:S-96") CHAIN=C+Lgth (Example:C-96") NR=Not required	OPTIONS (Example:DIM,REM)	MODIFICATIONS (Example:Custom Paint*) Use "Notes" Box At Top To Explain Modifications
-------------------------------------	--------------------------------	--------------------------------	--	--	------------------------------	---