



Innsbruck

SC-7800~SC-7811

Our Innsbruck fixtures are very striking pendants and sconces with a predominant curled "fin" as a series trademark. We make Innsbruck in a variety of metal types and finishes. We show a true antique bronze in the sconce photo, but satin stainless steel is available and can be used for dramatic wet location mounting opportunities. Not sure if there are hidden meanings in this design, but it seems to fit into places that are difficult to blend into. The bowl acrylics can be anything from beige alabaster to pure white. And lamping options range from incandescent to LED.

~Innsbruck Series~

Chandelier: CH-7800~CH-7811

Pendant: PD-7800~PD-7831

Ceiling Mount: CL-7800~CL-7808

Wall Mount: SC-7800~SC-7811

Bollard: BL-7800~BL-7811

Mounting: Lightsmith fixtures mount to standard 4" octagon electrical boxes unless otherwise specified. All hardware and canopies supplied.

Listing and Warranty: Lightsmith fixtures are Underwriters Laboratories listed and carry a standard three year warranty against defects in materials and labor beginning at date of shipment.



Fixture Specifications

SC-78

FIXTURE NUMBER
(Example: SC-7800)

~

DIFFUSER
(Example: BGA-ECH)

~

METAL FINISH
(Example: ABB)

~

VOLTAGE
 (120V)
 (277V)
 (347V)

~

NR

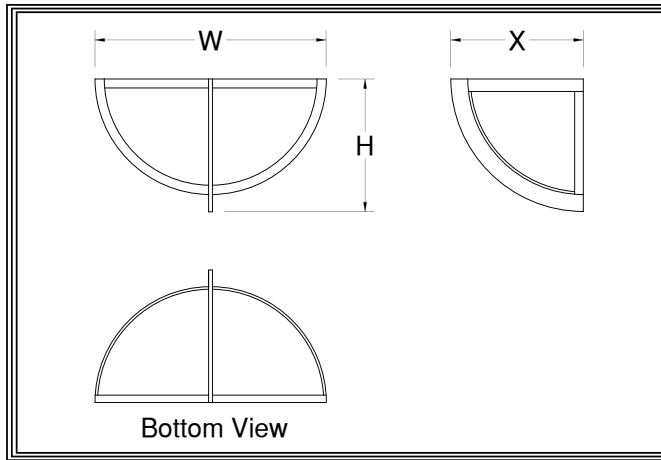
STEM=S+Lgth
(Example: S-96")
CHAIN=C+Lgth
(Example: C-96")
NR=Not required

~

OPTIONS
(Example: DIM,IEM)

~

MODIFICATIONS
(Example: Custom Paint)
Use "Notes" Box At Top To Explain Modifications



SC-78 _____
Fixture Number Job Type

Job Name

Notes~Modifications

	Fixture Number	Dimensions	Lamping	Weight	Options
LED	<input type="checkbox"/> SC-7809	16w x 7h x 4x*	2-13wLLED (2820 lumens)	6 lbs	L211,TPL,WLM
	<input type="checkbox"/> SC-7810	20w x 9h x 10x	3-13wLLED (4230 lumens)	8 lbs	L213,IEM,TPL,WLM
	<input type="checkbox"/> SC-7811	24w x 11h x 12x	4-13wLLED (5640 lumens)	10 lbs	L223,IEM,TPL,WLM DALI,REM,FUS**
INCANDESCENT	<input type="checkbox"/> SC-7800	16w x 7h x 4x*	2-60wA (1600 lumens)	3 lbs	TPL,WLM
	<input type="checkbox"/> SC-7801	20w x 9h x 10x	3-60wA (2400 lumens)	5 lbs	TPL,WLM
	<input type="checkbox"/> SC-7802	24w x 11h x 12x	4-60wA (3200 lumens)	7 lbs	TPL,WLM
FLUORESCENT	<input type="checkbox"/> SC-7803	16w x 7h x 4x*	2-18wCFQ (2400 lumens)	5 lbs	L211,TPL,WLM
	<input type="checkbox"/> SC-7804	20w x 9h x 10x	2-32wCFT (4800 lumens)	7 lbs	L213,IEM,TPL,WLM
	<input type="checkbox"/> SC-7805	24w x 11h x 12x	2-42wCFT (6400 lumens)	9 lbs	L223,IEM,TPL,WLM DIM,REM,FUS*

*ADA Fixture

~Single Circuit Standard Wiring~

*All Fluorescent Fixtures
**All LED Fixtures

	DIFFUSER
<input type="checkbox"/> BGA: Beige Alabaster Acrylic	<input type="checkbox"/> GRA: Green Edge Acrylic
<input type="checkbox"/> NHA: Natural Horn Acrylic	<input type="checkbox"/> EGA: Earth Green Acrylic
<input type="checkbox"/> WHA: White Alabaster Acrylic	<input type="checkbox"/> DGA: Deep Gold Acrylic
<input type="checkbox"/> HNA: Honey Alabaster Acrylic	<input type="checkbox"/> SBA: Sea Blue Acrylic
<input type="checkbox"/> WOA: White Opal Acrylic	<input type="checkbox"/> PHA: Purple Haze Acrylic
	<input type="checkbox"/> ECH: Etched*

*Etched option creates a matte, non-glossy finish on one side of the diffuser. (Example: WOA-ECH)

	SOLID BRASS FINISHES	PAINTED METAL FINISHES	ALUMINUM FINISHES	STAINLESS STEEL FINISHES
METAL FINISH	<input type="checkbox"/> ABB: Antique Brass	<input type="checkbox"/> DGP: Dark Green	<input type="checkbox"/> SAA: Satin Aluminum	<input type="checkbox"/> SSS: Satin
	<input type="checkbox"/> SBB: Satin Brass	<input type="checkbox"/> VGP: Verde Green	<input type="checkbox"/> SNA: Satin Nickel	<input type="checkbox"/> DSS: Distressed
	<input type="checkbox"/> PBB: Polished Brass	<input type="checkbox"/> CGP: Charcoal Gray	<input type="checkbox"/> PAA: Polished Aluminum	<input type="checkbox"/> PSS: Polished
	<input type="checkbox"/> ANB: Antique Nickel	<input type="checkbox"/> MBP: Medium Bronze	<input type="checkbox"/> BBA: Burnished Bronze	<input type="checkbox"/> HSS: Hammered
	<input type="checkbox"/> SNB: Satin Nickel	<input type="checkbox"/> SBP: Satin Black	<input type="checkbox"/> RNA: Red Naval Bronze	<input type="checkbox"/>
	<input type="checkbox"/> PNB: Polished Nickel	<input type="checkbox"/> DBP: Dark Bronze	<input type="checkbox"/> SGA: Satin Gold	<input type="checkbox"/>
	<input type="checkbox"/> AZB: Antique Bronze	<input type="checkbox"/> LBP: Light Bronze	<input type="checkbox"/> SBA: Satin Bronze	<input type="checkbox"/>
	<input type="checkbox"/> SZB: Satin Bronze	<input type="checkbox"/> MGP: Medium Gold	<input type="checkbox"/> ORA: Oil Rubbed Bronze	<input type="checkbox"/>
	<input type="checkbox"/> PZB: Polished Bronze	<input type="checkbox"/> SCP: Sponged Copper	<input type="checkbox"/> SCA: Satin Copper	<input type="checkbox"/>
	<input type="checkbox"/> CSB: Custom Brass*	<input type="checkbox"/> CSP: Custom Paint*	<input type="checkbox"/> CSA: Custom Aluminum*	<input type="checkbox"/>
				<input type="checkbox"/> CSS: Custom SS*

	OPTIONS
<input type="checkbox"/> L211: 2-11wCLED Uplight	<input type="checkbox"/> DIM: Dimming Ballast
<input type="checkbox"/> L213: 2-13wCLED Uplight	<input type="checkbox"/> IEM: Integral Emer. Ballast
<input type="checkbox"/> L223: 2-23wCLED Uplight	<input type="checkbox"/> TPL: Top Lens
<input type="checkbox"/>	<input type="checkbox"/>
<input type="checkbox"/>	<input type="checkbox"/>
<input type="checkbox"/>	<input type="checkbox"/>
	<input type="checkbox"/> FUS: Fusing
	<input type="checkbox"/> DALI: Dali dimming LED
	<input type="checkbox"/> REM: Remote Emer. Ballast
	<input type="checkbox"/> WLM: Wet Location Mounting