



Barcelona

SC-7100~SC-7111

Our Barcelona fixtures are named for a bright city in sunny Spain. Though they do not have that curling Spanish physique, our Barcelona lights are just as sunny and directional a fixture as one could ask for...without traveling across the Atlantic. The series features bright cylinders that can be illuminated by a wide range of light sources. Interior and downlights can be LED or CFL, as well as standard incandescent. And our finishes range from durable powder coated aluminum to polished brass or stainless. Downlights and uplights are optional. Wet location models available.

~Barcelona Series~

- Chandelier: CH-7100~CH-7111
- Pendant: PD-7100~PD-7131
- Ceiling Mount: CL-7100~CL-7108
- Wall Mount: SC-7100~SC-7111
- Bollard: BL-7100~BL-7111

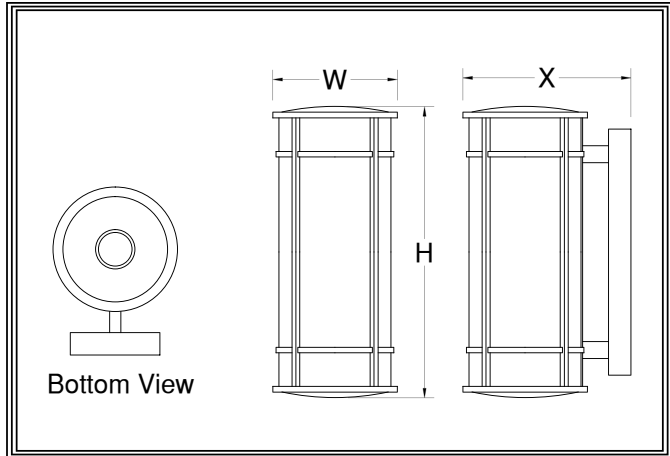
Mounting: Lightsmith fixtures mount to standard 4" octagon electrical boxes unless otherwise specified. All hardware and canopies supplied.

Listing and Warranty: Lightsmith fixtures are Underwriters Laboratories listed and carry a standard three year warranty against defects in materials and labor beginning at date of shipment.



Fixture Specifications

SC-71 <small>FIXTURE NUMBER (Example: SC-7100)</small>	~	<small>DIFFUSER (Example: BGA-ECH)</small>	~	<small>METAL FINISH (Example: ABB)</small>	~	<small>VOLTAGE</small> <input type="checkbox"/> (120V) <input type="checkbox"/> (277V) <input type="checkbox"/> (347V)	~	NR <small>STEM=S+Lgth (Example: S-96") CHAIN=C+Lgth (Example: C-96") NR=Not required</small>	~	<small>OPTIONS (Example: DIM,IEM)</small>	~	<small>MODIFICATIONS (Example: Custom Paint) Use "Notes" Box At Top To Explain Modifications</small>
--	---	--	---	--	---	---	---	--	---	---	---	---



SC-71 _____

Fixture Number Job Type

Job Name

Notes~Modifications

	Fixture Number	Dimensions	Lamping	Weight	Options
LED	<input type="checkbox"/> SC-7109	9w x 21h x 12x	2-13WLED (2820 lumens)	17 lbs	L111,WLM
	<input type="checkbox"/> SC-7110	11w x 26h x 15x	4-13WLED (5640 lumens)	26 lbs	L113,WLM
	<input type="checkbox"/> SC-7111	13w x 31h x 18x	6-13WLED (8460 lumens)	35 lbs	L123,WLM DALI,IEM,FUS**
INCANDESCENT	<input type="checkbox"/> SC-7100	9w x 21h x 12x	4-60WA (3200 lumens)	14 lbs	N39,WLM
	<input type="checkbox"/> SC-7101	11w x 26h x 15x	6-60WA (4800 lumens)	23 lbs	N53,WLM
	<input type="checkbox"/> SC-7102	13w x 31h x 18x	8-60WA (6400 lumens)	32 lbs	N72,WLM
FLUORESCENT	<input type="checkbox"/> SC-7103	9w x 21h x 12x	2-FT36W (5800 lumens)	16 lbs	L111,WLM
	<input type="checkbox"/> SC-7104	11w x 26h x 15x	2-FT40W (6600 lumens)	25 lbs	L113,WLM
	<input type="checkbox"/> SC-7105	13w x 31h x 18x	2-FT50W (8600 lumens)	34 lbs	L123,WLM DIM,IEM,FUS*

~Single Circuit Standard Wiring~

*All Fluorescent Fixtures
**All LED Fixtures

DIFFUSER	<input type="checkbox"/> BGA: Beige Alabaster Acrylic	<input type="checkbox"/> GRA: Green Edge Acrylic	<input type="checkbox"/> ECH: Etched*
	<input type="checkbox"/> NHA: Natural Horn Acrylic	<input type="checkbox"/> EGA: Earth Green Acrylic	<i>*Etched option creates a matte, non-glossy finish on one side of the diffuser. (Example: WOA-ECH)</i>
	<input type="checkbox"/> WHA: White Alabaster Acrylic	<input type="checkbox"/> DGA: Deep Gold Acrylic	
	<input type="checkbox"/> HNA: Honey Alabaster Acrylic	<input type="checkbox"/> SBA: Sea Blue Acrylic	
	<input type="checkbox"/> WOA: White Opal Acrylic	<input type="checkbox"/> PHA: Purple Haze Acrylic	

	SOLID BRASS FINISHES	PAINTED METAL FINISHES	ALUMINUM FINISHES	STAINLESS STEEL FINISHES
METAL FINISH	<input type="checkbox"/> ABB: Antique Brass	<input type="checkbox"/> DGP: Dark Green	<input type="checkbox"/> SAA: Satin Aluminum	<input type="checkbox"/> SSS: Satin
	<input type="checkbox"/> SBB: Satin Brass	<input type="checkbox"/> VGP: Verde Green	<input type="checkbox"/> SNA: Satin Nickel	<input type="checkbox"/> DSS: Distressed
	<input type="checkbox"/> PBB: Polished Brass	<input type="checkbox"/> CGP: Charcoal Gray	<input type="checkbox"/> PAA: Polished Aluminum	<input type="checkbox"/> PSS: Polished
	<input type="checkbox"/> ANB: Antique Nickel	<input type="checkbox"/> MBP: Medium Bronze	<input type="checkbox"/> BBA: Burnished Bronze	<input type="checkbox"/> HSS: Hammered
	<input type="checkbox"/> SNB: Satin Nickel	<input type="checkbox"/> SBP: Satin Black	<input type="checkbox"/> RNA: Red Naval Bronze	<input type="checkbox"/>
	<input type="checkbox"/> PNB: Polished Nickel	<input type="checkbox"/> DBP: Dark Bronze	<input type="checkbox"/> SGA: Satin Gold	<input type="checkbox"/>
	<input type="checkbox"/> AZB: Antique Bronze	<input type="checkbox"/> LBP: Light Bronze	<input type="checkbox"/> SBA: Satin Bronze	<input type="checkbox"/>
	<input type="checkbox"/> SZB: Satin Bronze	<input type="checkbox"/> MGP: Medium Gold	<input type="checkbox"/> ORA: Oil Rubbed Bronze	<input type="checkbox"/>
	<input type="checkbox"/> PZB: Polished Bronze	<input type="checkbox"/> SCP: Sponged Copper	<input type="checkbox"/> SCA: Satin Copper	<input type="checkbox"/>
	<input type="checkbox"/> CSB: Custom Brass*	<input type="checkbox"/> CSP: Custom Paint*	<input type="checkbox"/> CSA: Custom Aluminum*	<input type="checkbox"/>
	<input type="checkbox"/>			<input type="checkbox"/> CSS: Custom SS*
	<input type="checkbox"/>			<input type="checkbox"/>
	<input type="checkbox"/>			<input type="checkbox"/>
	<input type="checkbox"/>			<input type="checkbox"/>

OPTIONS	<input type="checkbox"/> L111: 1-11wCLED Up/Dnlight	<input type="checkbox"/> DIM: Dimming Ballast	<input type="checkbox"/> FUS: Fusing
	<input type="checkbox"/> L113: 1-13wCLED Up/Dnlight	<input type="checkbox"/> IEM: Integral Emer.Ballast	<input type="checkbox"/> DALI: Dali dimming LED
	<input type="checkbox"/> L123: 1-23wCLED Up/Dnlight	<input type="checkbox"/> WLM: Wet Location Mounting	<input type="checkbox"/> N39: 39wP20 Up/Dnlight
	<input type="checkbox"/>		<input type="checkbox"/> N53: 53wP30 Up/Dnlight
	<input type="checkbox"/>		<input type="checkbox"/> N72: 72wP38 Up/Dnlight