



Mardi Gras

SC-6800~SC-6811

Our Mardi Gras series is just a fun light. We have a good time building it. Our customers have a good time showing it off and trying to explain to their friends what it all means. The fixtures themselves are basically cones and half cones that have been radicalized by the introduction of laser cut swirl patterns and trapezoidal staves. Mardi Gras is available with many metal finishes and acrylic types. We suggest that you look at options available to you and get the best match for your surroundings. Consider a top lens. Consider LED or CFL lamp options...very nice indeed.

~Mardi Gras Series~

Chandelier: CH-6800~CH-6811

Pendant: PD-6800~PD-6831

Ceiling Mount: CL-6800~CL-6808

Wall Mount: SC-6800~SC-6811

Bollard: BL-6800~BL-6811

Mounting: Lightsmith fixtures mount to standard 4" octagon electrical boxes unless otherwise specified. All hardware and canopies supplied.

Listing and Warranty: Lightsmith fixtures are Underwriters Laboratories listed and carry a standard three year warranty against defects in materials and labor beginning at date of shipment.



Fixture Specifications

SC-68

FIXTURE NUMBER
(Example: SC-6800)

~

DIFFUSER
(Example: BGA-ECH)

~

METAL FINISH
(Example: ABB)

~

VOLTAGE
 (120V)
 (277V)
 (347V)

~

NR

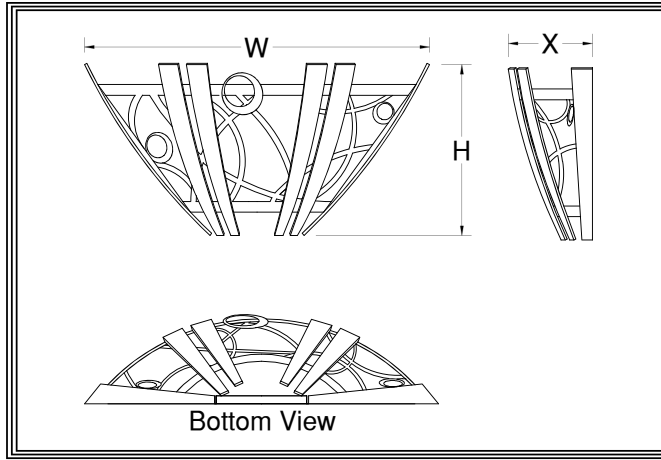
STEM=S+Lgth
(Example: S-96")
CHAIN=C+Lgth
(Example: C-96")
NR=Not required

~

OPTIONS
(Example: DIM,IEM)

~

MODIFICATIONS
(Example: Custom Paint)
Use "Notes" Box At Top To Explain Modifications



SC-68
Fixture Number

Job Type

Job Name

Notes~Modifications

	Fixture Number	Dimensions	Lamping	Weight	Options
LED	<input type="checkbox"/> SC-6809	16w x 8h x 4x*	2-13wLLED (2820 lumens)	6 lbs	L211,TPL
	<input type="checkbox"/> SC-6810	20w x 10h x 10x	3-13wLLED (4230 lumens)	8 lbs	L213,IEM,TPL
	<input type="checkbox"/> SC-6811	24w x 12h x 12x	4-13wLLED (5640 lumens)	10 lbs	L223,IEM,TPL DALI,REM,FUS**
INCANDESCENT	<input type="checkbox"/> SC-6800	16w x 8h x 4x*	2-60wA (1600 lumens)	3 lbs	TPL
	<input type="checkbox"/> SC-6801	20w x 10h x 10x	3-60wA (2400 lumens)	5 lbs	TPL
	<input type="checkbox"/> SC-6802	24w x 12h x 12x	4-60wA (3200 lumens)	7 lbs	TPL
FLUORESCENT	<input type="checkbox"/> SC-6803	16w x 8h x 4x*	2-18wCFQ (2400 lumens)	5 lbs	L211,TPL
	<input type="checkbox"/> SC-6804	20w x 10h x 10x	2-32wCFT (4800 lumens)	7 lbs	L213,IEM,TPL
	<input type="checkbox"/> SC-6805	24w x 12h x 12x	2-42wCFT (6400 lumens)	9 lbs	L223,IEM,TPL DIM,REM,FUS*

*ADA Fixture

~Single Circuit Standard Wiring~

*All Fluorescent Fixtures
**All LED Fixtures

DIFFUSER	<input type="checkbox"/> BGA: Beige Alabaster Acrylic	<input type="checkbox"/> GRA: Green Edge Acrylic	<input type="checkbox"/> ECH: Etched*
	<input type="checkbox"/> NHA: Natural Horn Acrylic	<input type="checkbox"/> EGA: Earth Green Acrylic	*Etched option creates a matte, non-glossy finish on one side of the diffuser. (Example: WOA-ECH)
	<input type="checkbox"/> WHA: White Alabaster Acrylic	<input type="checkbox"/> DGA: Deep Gold Acrylic	
	<input type="checkbox"/> HNA: Honey Alabaster Acrylic	<input type="checkbox"/> SBA: Sea Blue Acrylic	
	<input type="checkbox"/> WOA: White Opal Acrylic	<input type="checkbox"/> PHA: Purple Haze Acrylic	

	SOLID BRASS FINISHES	PAINTED METAL FINISHES	ALUMINUM FINISHES	STAINLESS STEEL FINISHES
METAL FINISH	<input type="checkbox"/> ABB: Antique Brass	<input type="checkbox"/> DGP: Dark Green	<input type="checkbox"/> SAA: Satin Aluminum	<input type="checkbox"/> SSS: Satin
	<input type="checkbox"/> SBB: Satin Brass	<input type="checkbox"/> VGP: Verde Green	<input type="checkbox"/> SNA: Satin Nickel	<input type="checkbox"/> DSS: Distressed
	<input type="checkbox"/> PBB: Polished Brass	<input type="checkbox"/> CGP: Charcoal Gray	<input type="checkbox"/> PAA: Polished Aluminum	<input type="checkbox"/> PSS: Polished
	<input type="checkbox"/> ANB: Antique Nickel	<input type="checkbox"/> MBP: Medium Bronze	<input type="checkbox"/> BBA: Burnished Bronze	<input type="checkbox"/> HSS: Hammered
	<input type="checkbox"/> SNB: Satin Nickel	<input type="checkbox"/> SBP: Satin Black	<input type="checkbox"/> RNA: Red Naval Bronze	<input type="checkbox"/>
	<input type="checkbox"/> PNB: Polished Nickel	<input type="checkbox"/> DBP: Dark Bronze	<input type="checkbox"/> SGA: Satin Gold	<input type="checkbox"/>
	<input type="checkbox"/> AZB: Antique Bronze	<input type="checkbox"/> LBP: Light Bronze	<input type="checkbox"/> SBA: Satin Bronze	<input type="checkbox"/>
	<input type="checkbox"/> SZB: Satin Bronze	<input type="checkbox"/> MGP: Medium Gold	<input type="checkbox"/> ORA: Oil Rubbed Bronze	<input type="checkbox"/>
	<input type="checkbox"/> PZB: Polished Bronze	<input type="checkbox"/> SCP: Sponged Copper	<input type="checkbox"/> SCA: Satin Copper	<input type="checkbox"/>
	<input type="checkbox"/> CSB: Custom Brass*	<input type="checkbox"/> CSP: Custom Paint*	<input type="checkbox"/> CSA: Custom Aluminum*	<input type="checkbox"/>
	<input type="checkbox"/>			<input type="checkbox"/>
	<input type="checkbox"/>			<input type="checkbox"/>
	<input type="checkbox"/>			<input type="checkbox"/>
	<input type="checkbox"/>			<input type="checkbox"/>

OPTIONS	<input type="checkbox"/> L211: 2-11wCLED Uplight	<input type="checkbox"/> DIM: Dimming Ballast	<input type="checkbox"/> FUS: Fusing
	<input type="checkbox"/> L213: 2-13wCLED Uplight	<input type="checkbox"/> IEM: Integral Emer.Ballast	<input type="checkbox"/> DALI: Dali dimming LED
	<input type="checkbox"/> L223: 2-23wCLED Uplight	<input type="checkbox"/> TPL: Top Lens	<input type="checkbox"/> REM: Remote Emer. Ballast
	<input type="checkbox"/>		
	<input type="checkbox"/>		