



Rhodes

SC-6600~SC-6611

Our Rhodes fixtures are basic clean-lined sconces, pendants, and chandeliers featuring arcs made from solid square bars and heavy-duty body framing. The Rhodes design is classic, going back 50 years or more, but the fixtures we produce today are just as relevant and graceful as they were long ago. Straight cylinders with parallel bars seem to go well with most interiors. And we offer these lights in a wide variety of standard and custom finishes. Solid polished brass is certainly a favorite. You may order them with many lamp options...even small LED uplights for just the right look.

~Rhodes Series~

- Chandelier: CH-6600~CH-6611
- Pendant: PD-6600~PD-6631
- Ceiling Mount: CL-6600~CL-6608
- Wall Mount: SC-6600~SC-6611
- Bollard: BL-6600~BL-6611

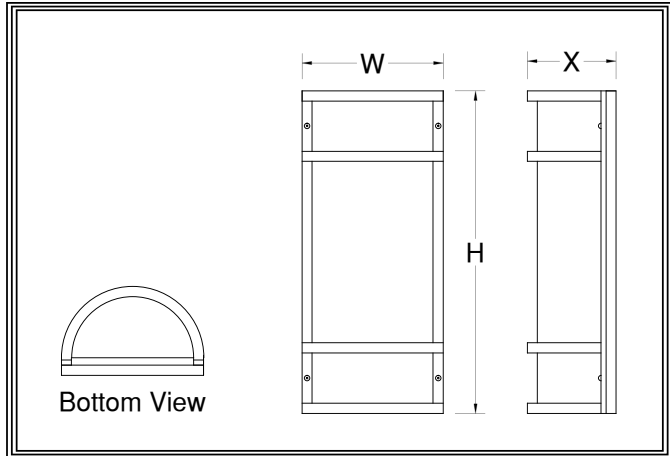
Mounting: Lightsmith fixtures mount to standard 4" octagon electrical boxes unless otherwise specified. All hardware and canopies supplied.

Listing and Warranty: Lightsmith fixtures are Underwriters Laboratories listed and carry a standard three year warranty against defects in materials and labor beginning at date of shipment.



Fixture Specifications

SC-66__	~	DIFFUSER (Example: BGA-ECH)	~	METAL FINISH (Example: ABB)	~	VOLTAGE <input type="checkbox"/> (120V) <input type="checkbox"/> (277V) <input type="checkbox"/> (347V)	~	NR STEM=S+Lgth (Example: S-96") CHAIN=C+Lgth (Example: C-96") NR=Not required	~	OPTIONS (Example: DIM,IEM)	~	MODIFICATIONS (Example: Custom Paint) Use "Notes" Box At Top To Explain Modifications
---------	---	--------------------------------	---	--------------------------------	---	--	---	--	---	-------------------------------	---	---



SC-66__ Job Type

Fixture Number Job Name

Job Name

Notes~Modifications

	Fixture Number	Dimensions	Lamping	Weight	Options
LED	<input type="checkbox"/> SC-6609	7w x 16h x 4x*	2-13wLLED (2820 lumens)	4 lbs	L111,WLM
	<input type="checkbox"/> SC-6610	9w x 20h x 5x	3-13wLLED (4230 lumens)	6 lbs	L113,WLM
	<input type="checkbox"/> SC-6611	11w x 24h x 6x	4-13wLLED (5640 lumens)	8 lbs	L123,WLM DALI,IEM,FUS**
INCANDESCENT	<input type="checkbox"/> SC-6600	7w x 16h x 4x*	2-60wT10 (1600 lumens)	3 lbs	WLM
	<input type="checkbox"/> SC-6601	9w x 20h x 5x	3-60wA (2400 lumens)	5 lbs	WLM
	<input type="checkbox"/> SC-6602	11w x 24h x 6x	4-60wA (3200 lumens)	7 lbs	WLM
FLUORESCENT	<input type="checkbox"/> SC-6603	7w x 16h x 4x*	2-FT24W (3600 lumens)	4 lbs	L111,WLM
	<input type="checkbox"/> SC-6604	9w x 20h x 5x	2-FT36W (5800 lumens)	6 lbs	L113,WLM
	<input type="checkbox"/> SC-6605	11w x 24h x 6x	2-FT40W (6600 lumens)	8 lbs	L123,WLM DIM,IEM,FUS*

*ADA Fixture ~Single Circuit Standard Wiring~ *All Fluorescent Fixtures
**All LED Fixtures

- | | | |
|--|--|--|
| <p style="writing-mode: vertical-rl; transform: rotate(180deg);">DIFFUSER</p> <p><input type="checkbox"/> BGA: Beige Alabaster Acrylic</p> <p><input type="checkbox"/> NHA: Natural Horn Acrylic</p> <p><input type="checkbox"/> WHA: White Alabaster Acrylic</p> <p><input type="checkbox"/> HNA: Honey Alabaster Acrylic</p> <p><input type="checkbox"/> WOA: White Opal Acrylic</p> | <p><input type="checkbox"/> GRA: Green Edge Acrylic</p> <p><input type="checkbox"/> EGA: Earth Green Acrylic</p> <p><input type="checkbox"/> DGA: Deep Gold Acrylic</p> <p><input type="checkbox"/> SBA: Sea Blue Acrylic</p> <p><input type="checkbox"/> PHA: Purple Haze Acrylic</p> | <p><input type="checkbox"/> ECH: Etched*</p> <p><i>*Etched option creates a matte, non-glossy finish on one side of the diffuser. (Example: WOA-ECH)</i></p> |
|--|--|--|

	SOLID BRASS FINISHES	PAINTED METAL FINISHES	ALUMINUM FINISHES	STAINLESS STEEL FINISHES
METAL FINISH	<input type="checkbox"/> ABB: Antique Brass	<input type="checkbox"/> DGP: Dark Green	<input type="checkbox"/> SAA: Satin Aluminum	<input type="checkbox"/> SSS: Satin
	<input type="checkbox"/> SBB: Satin Brass	<input type="checkbox"/> VGP: Verde Green	<input type="checkbox"/> SNA: Satin Nickel	<input type="checkbox"/> DSS: Distressed
	<input type="checkbox"/> PBB: Polished Brass	<input type="checkbox"/> CGP: Charcoal Gray	<input type="checkbox"/> PAA: Polished Aluminum	<input type="checkbox"/> PSS: Polished
	<input type="checkbox"/> ANB: Antique Nickel	<input type="checkbox"/> MBP: Medium Bronze	<input type="checkbox"/> BBA: Burnished Bronze	<input type="checkbox"/> HSS: Hammered
	<input type="checkbox"/> SNB: Satin Nickel	<input type="checkbox"/> SBP: Satin Black	<input type="checkbox"/> RNA: Red Naval Bronze	<input type="checkbox"/>
	<input type="checkbox"/> PNB: Polished Nickel	<input type="checkbox"/> DBP: Dark Bronze	<input type="checkbox"/> SGA: Satin Gold	<input type="checkbox"/>
	<input type="checkbox"/> AZB: Antique Bronze	<input type="checkbox"/> LBP: Light Bronze	<input type="checkbox"/> SBA: Satin Bronze	<input type="checkbox"/>
	<input type="checkbox"/> SZB: Satin Bronze	<input type="checkbox"/> MGP: Medium Gold	<input type="checkbox"/> ORA: Oil Rubbed Bronze	<input type="checkbox"/>
	<input type="checkbox"/> PZB: Polished Bronze	<input type="checkbox"/> SCP: Sponged Copper	<input type="checkbox"/> SCA: Satin Copper	<input type="checkbox"/>
	<input type="checkbox"/> CSB: Custom Brass*	<input type="checkbox"/> CSP: Custom Paint*	<input type="checkbox"/> CSA: Custom Aluminum*	<input type="checkbox"/>
	<input type="checkbox"/>			<input type="checkbox"/>
	<input type="checkbox"/>			<input type="checkbox"/>
	<input type="checkbox"/>			<input type="checkbox"/>
	<input type="checkbox"/>			<input type="checkbox"/>

- | | | |
|--|--|--|
| <p style="writing-mode: vertical-rl; transform: rotate(180deg);">OPTIONS</p> <p><input type="checkbox"/> L111: 1-11wCLED Uplight</p> <p><input type="checkbox"/> L113: 1-13wCLED Uplight</p> <p><input type="checkbox"/> L123: 1-23wCLED Uplight</p> <p><input type="checkbox"/></p> <p><input type="checkbox"/></p> | <p><input type="checkbox"/> DIM: Dimming Ballast</p> <p><input type="checkbox"/> IEM: Integral Emer.Ballast</p> <p><input type="checkbox"/> WLM: Wet Location Mounting</p> <p><input type="checkbox"/></p> <p><input type="checkbox"/></p> | <p><input type="checkbox"/> FUS: Fusing</p> <p><input type="checkbox"/> DALI: Dali dimming LED</p> <p><input type="checkbox"/></p> <p><input type="checkbox"/></p> |
|--|--|--|