



Rhodes

PD-6600~PD-6631

Our Rhodes fixtures are basic clean-lined sconces, pendants, and chandeliers featuring arcs made from solid square bars and heavy-duty body framing. The Rhodes design is classic, going back 50 years or more, but the fixtures we produce today are just as relevant and graceful as they were long ago. Straight cylinders with parallel bars seem to go well with most interiors. And we offer these lights in a wide variety of standard and custom finishes. Solid polished brass is certainly a favorite. You may order them with many lamp options...even powerful LED uplights for just the right look.

~Rhodes Series~

Chandelier: CH-6600~CH-6611

Pendant: PD-6600~PD-6631

Ceiling Mount: CL-6600~CL-6608

Wall Mount: SC-6600~SC-6611

Bollard: BL-6600~BL-6611

Mounting: Lightsmith fixtures mount to standard 4" octagon electrical boxes unless otherwise specified. All hardware and canopies supplied.

Listing and Warranty: Lightsmith fixtures are Underwriters Laboratories listed and carry a standard three year warranty against defects in materials and labor beginning at date of shipment.



Fixture Specifications

PD-66

FIXTURE NUMBER
(Example: PD-6600)

~

DIFFUSER
(Example: BGA-ECH)

~

METAL FINISH
(Example: ABB)

~

VOLTAGE
 (120V)
 (277V)
 (347V)

~

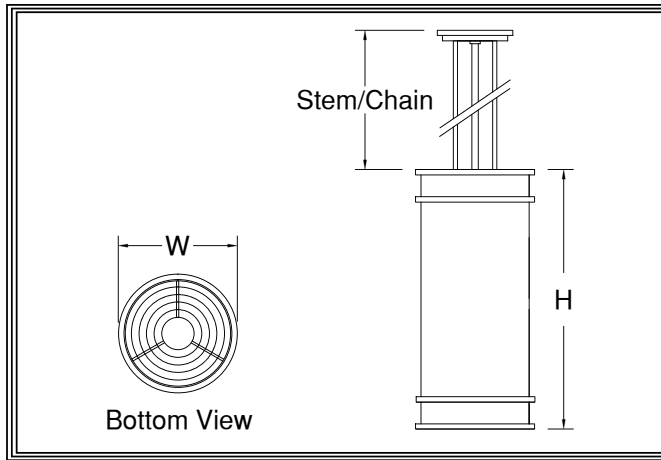
STEM=S+Lgth
(Example: S-96")
CHAIN=C+Lgth
(Example: C-96")
NR=Not required

~

OPTIONS
(Example: DIM, REM)

~

MODIFICATIONS
(Example: Custom Paint*)
Use "Notes" Box At Top To Explain Modifications



PD-66

Fixture Number

Job Type

Job Name

Notes~Modifications

	Fixture Number	Dimensions	Lamping	Weight	Stem/Chain	Options
LED	<input type="checkbox"/> PD-6609	9w x 14h	2-13wLLED	14 lbs	3' Std	DALI, REM, FUS**
	<input type="checkbox"/> PD-6610	11w x 18h	4-13wLLED/1-38wCLED	18 lbs	6' Std	L423, L623
	<input type="checkbox"/> PD-6611	11w x 24h	6-13wLLED/1-38wCLED	20 lbs	9' Std	L423, L623, L311
	<input type="checkbox"/> PD-6612	13w x 30h	12-13wLLED/1-52wCLED	22 lbs	9' Std	L623, L823, L611
	<input type="checkbox"/> PD-6613	13w x 36h	18-13wLLED/1-52wCLED	28 lbs	12' Std	L623, L823, L611
INCANDESCENT	<input type="checkbox"/> PD-6620	9w x 14h	1-150wA	11 lbs	3' Std	N250
	<input type="checkbox"/> PD-6600	11w x 18h	3-75wA/1-250wP38	14 lbs	6' Std	N300
	<input type="checkbox"/> PD-6621	11w x 24h	6-75wA/1-250wP38	17 lbs	9' Std	N300
	<input type="checkbox"/> PD-6601	13w x 30h	6-75wA/1-500wR40	19 lbs	9' Std	N500
	<input type="checkbox"/> PD-6602	13w x 36h	9-75wA/1-500wR40	25 lbs	12' Std	N500
FLUORESCENT	<input type="checkbox"/> PD-6630	9w x 14h	1-42wCFT	13 lbs	3' Std	DIM, IEM, REM, FUS*
	<input type="checkbox"/> PD-6603	11w x 18h	2-42wCFT/2-42wCFTdn	17 lbs	6' Std	L311
	<input type="checkbox"/> PD-6631	11w x 24h	4-42wCFT/2-42wCFTdn	19 lbs	9' Std	L311
	<input type="checkbox"/> PD-6604	13w x 30h	6-FT40w/4-42wCFTdn	21 lbs	9' Std	L611
	<input type="checkbox"/> PD-6605	13w x 36h	6-FT50w/4-42wCFTdn	27 lbs	12' Std	L611

*Two Circuits Standard Wiring~

*All Fluorescent Fixtures
**All LED Fixtures

DIFFUSER	<input type="checkbox"/> BGA: Beige Alabaster Acrylic	<input type="checkbox"/> GRA: Green Edge Acrylic	<input type="checkbox"/> ECH: Etched*
	<input type="checkbox"/> NHA: Natural Horn Acrylic	<input type="checkbox"/> EGA: Earth Green Acrylic	*Etched option creates a matte, non-glossy finish on one side of the diffuser. (Example: WOA-ECH)
	<input type="checkbox"/> WHA: White Alabaster Acrylic	<input type="checkbox"/> DGA: Deep Gold Acrylic	
	<input type="checkbox"/> HNA: Honey Alabaster Acrylic	<input type="checkbox"/> SBA: Sea Blue Acrylic	
	<input type="checkbox"/> WOA: White Opal Acrylic	<input type="checkbox"/> PHA: Purple Haze Acrylic	

	SOLID BRASS FINISHES	PAINTED METAL FINISHES	ALUMINUM FINISHES	STAINLESS STEEL FINISHES
METAL FINISH	<input type="checkbox"/> ABB: Antique Brass	<input type="checkbox"/> DGP: Dark Green	<input type="checkbox"/> SAA: Satin Aluminum	<input type="checkbox"/> SSS: Satin
	<input type="checkbox"/> SBB: Satin Brass	<input type="checkbox"/> VGP: Verde Green	<input type="checkbox"/> SNA: Satin Nickel	<input type="checkbox"/> DSS: Distressed
	<input type="checkbox"/> PBB: Polished Brass	<input type="checkbox"/> CGP: Charcoal Gray	<input type="checkbox"/> PAA: Polished Aluminum	<input type="checkbox"/> PSS: Polished
	<input type="checkbox"/> ANB: Antique Nickel	<input type="checkbox"/> MBP: Medium Bronze	<input type="checkbox"/> BBA: Burnished Bronze	<input type="checkbox"/> HSS: Hammered
	<input type="checkbox"/> SNB: Satin Nickel	<input type="checkbox"/> SBP: Satin Black	<input type="checkbox"/> RNA: Red Naval Bronze	<input type="checkbox"/>
	<input type="checkbox"/> PNB: Polished Nickel	<input type="checkbox"/> DBP: Dark Bronze	<input type="checkbox"/> SGA: Satin Gold	<input type="checkbox"/>
	<input type="checkbox"/> AZB: Antique Bronze	<input type="checkbox"/> LBP: Light Bronze	<input type="checkbox"/> SBA: Satin Bronze	<input type="checkbox"/>
	<input type="checkbox"/> SZB: Satin Bronze	<input type="checkbox"/> MGP: Medium Gold	<input type="checkbox"/> ORA: Oil Rubbed Bronze	<input type="checkbox"/>
	<input type="checkbox"/> PZB: Polished Bronze	<input type="checkbox"/> SCP: Sponged Copper	<input type="checkbox"/> SCA: Satin Copper	<input type="checkbox"/>
	<input type="checkbox"/> CSB: Custom Brass*	<input type="checkbox"/> CSP: Custom Paint*	<input type="checkbox"/> CSA: Custom Aluminum*	<input type="checkbox"/>
	<input type="checkbox"/>			<input type="checkbox"/> CSS: Custom SS*
	<input type="checkbox"/>			<input type="checkbox"/>
	<input type="checkbox"/>			<input type="checkbox"/>
	<input type="checkbox"/>			<input type="checkbox"/>

OPTIONS	<input type="checkbox"/> N250: 250wPar38 Downlight	<input type="checkbox"/> L311: 3-11wCLED Uplight	<input type="checkbox"/> FUS: Fusing
	<input type="checkbox"/> N300: 300wPar56 Downlight	<input type="checkbox"/> L611: 6-11wCLED Uplight	<input type="checkbox"/> IEM: Integral Emer.Ballast
	<input type="checkbox"/> N500: 500wPar56 Downlight	<input type="checkbox"/> L423: 4-23wCLED Downlight	<input type="checkbox"/> DALI: Dali dimming LED
	<input type="checkbox"/> DIM: Dimming Ballast	<input type="checkbox"/> L623: 6-23wCLED Downlight	<input type="checkbox"/>
	<input type="checkbox"/> REM: Remote Emer.Ballast	<input type="checkbox"/> L823: 8-23wCLED Downlight	<input type="checkbox"/>
	<input type="checkbox"/>		<input type="checkbox"/>
	<input type="checkbox"/>		<input type="checkbox"/>
	<input type="checkbox"/>		<input type="checkbox"/>