



# Calcutta

## PD-6200~PD-6231

Our Calcutta fixtures are very intricately spaced metal pattern lines and thick framing staves. The effect and spacing of the side framing lines is continued through in the round bottom lens without a hitch. Seamless. The acrylic side panels are stand-up straight and invisibly supported lenses that come in a variety of colors and textures. The fixtures are seemingly open topped, but can be ordered with an air tight upper bug lens if desired. And metal finishes in this piece of lighting equipment run from basic powdercoat to solid satin bronzes and more. Great LED lamping options available!

### ~Calcutta Series~

- Chandelier: CH-6200~CH-6211
- Pendant: PD-6200~PD-6231
- Ceiling Mount: CL-6200~CL-6208
- Wall Mount: SC-6200~SC-6211
- Bollard: BL-6200~BL-6211

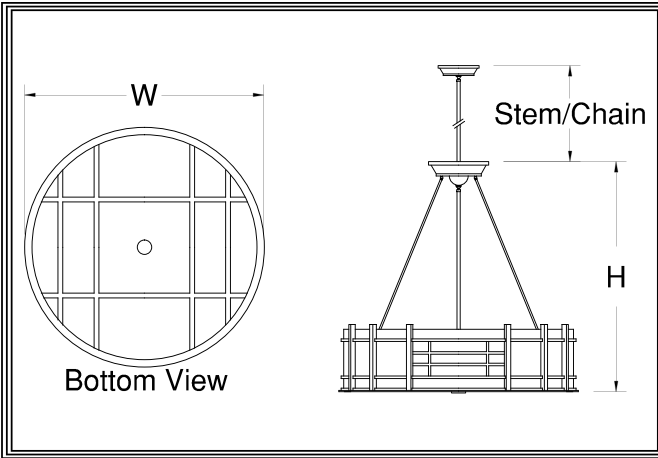
**Mounting:** Lightsmith fixtures mount to standard 4" octagon electrical boxes unless otherwise specified. All hardware and canopies supplied.

**Listing and Warranty:** Lightsmith fixtures are Underwriters Laboratories listed and carry a standard three year warranty against defects in materials and labor beginning at date of shipment.



## Fixture Specifications

PD-62	~		~		~		~		~			
FIXTURE NUMBER (Example: PD-6200)		DIFFUSER (Example: BGA-ECH)		METAL FINISH (Example: ABB)		VOLTAGE <input type="checkbox"/> (120V) <input type="checkbox"/> (277V) <input type="checkbox"/> (347V)		STEM=S+Lgth (Example: S-96") CHAIN=C+Lgth (Example: C-96") NR=Not required		OPTIONS (Example: DIM, REM)		MODIFICATIONS (Example: Custom Paint) Use "Notes" Box At Top To Explain Modifications



PD-62\_\_

Fixture Number      Job Type

Job Name

Notes~Modifications

	Fixture Number	Dimensions	Lamping	Weight	Stem/Chain	Options
LED	<input type="checkbox"/> PD-6209	20w x 19h	4-13wCLED	14 lbs	3' Std	DALI,IEM,TPL,FUS**
	<input type="checkbox"/> PD-6210	26w x 25h	6-13wCLED	17 lbs	6' Std	L423,L623
	<input type="checkbox"/> PD-6211	32w x 30h	4-23wCLED	21 lbs	9' Std	L423,L623,L311
	<input type="checkbox"/> PD-6212	38w x 36h	4-38wCLED	24 lbs	9' Std	L623,L823,L611
	<input type="checkbox"/> PD-6213	46w x 44h	6-52wCLED	32 lbs	12' Std	L623,L823,L611
INCANDESCENT	<input type="checkbox"/> PD-6220	20w x 19h	3-100wA	11 lbs	3' Std	N250
	<input type="checkbox"/> PD-6200	26w x 25h	3-150wA	14 lbs	6' Std	N300
	<input type="checkbox"/> PD-6221	32w x 30h	6-100wA	18 lbs	9' Std	N300
	<input type="checkbox"/> PD-6201	38w x 36h	6-150wA	21 lbs	9' Std	N500
	<input type="checkbox"/> PD-6202	46w x 44h	12-150wA	30 lbs	12' Std	N500
FLUORESCENT	<input type="checkbox"/> PD-6230	20w x 19h	2-42wCFT	13 lbs	3' Std	DIM,IEM,TPL,FUS*
	<input type="checkbox"/> PD-6203	26w x 25h	4-42wCFT	16 lbs	6' Std	F242
	<input type="checkbox"/> PD-6231	32w x 30h	6-42wCFT	22 lbs	9' Std	F242
	<input type="checkbox"/> PD-6204	38w x 36h	6-FT40w	25 lbs	9' Std	F442
	<input type="checkbox"/> PD-6205	46w x 44h	8-FT50w	34 lbs	12' Std	F442

~Two Circuits Standard Wiring~

\*All Fluorescent Fixtures  
\*\*All LED Fixtures

DIFFUSER	<input type="checkbox"/> BGA: Beige Alabaster Acrylic	<input type="checkbox"/> GRA: Green Edge Acrylic	<input type="checkbox"/> ECH: Etched*
	<input type="checkbox"/> NHA: Natural Horn Acrylic	<input type="checkbox"/> EGA: Earth Green Acrylic	*Etched option creates a matte, non-glossy finish on one side of the diffuser. (Example: WOA-ECH)
	<input type="checkbox"/> WHA: White Alabaster Acrylic	<input type="checkbox"/> DGA: Deep Gold Acrylic	
	<input type="checkbox"/> HNA: Honey Alabaster Acrylic	<input type="checkbox"/> SBA: Sea Blue Acrylic	
	<input type="checkbox"/> WOA: White Opal Acrylic	<input type="checkbox"/> PHA: Purple Haze Acrylic	

	SOLID BRASS FINISHES	PAINTED METAL FINISHES	ALUMINUM FINISHES	STAINLESS STEEL FINISHES
METAL FINISH	<input type="checkbox"/> ABB: Antique Brass	<input type="checkbox"/> DGP: Dark Green	<input type="checkbox"/> SAA: Satin Aluminum	<input type="checkbox"/> SSS: Satin
	<input type="checkbox"/> SBB: Satin Brass	<input type="checkbox"/> VGP: Verde Green	<input type="checkbox"/> SNA: Satin Nickel	<input type="checkbox"/> DSS: Distressed
	<input type="checkbox"/> PBB: Polished Brass	<input type="checkbox"/> CGP: Charcoal Gray	<input type="checkbox"/> PAA: Polished Aluminum	<input type="checkbox"/> PSS: Polished
	<input type="checkbox"/> ANB: Antique Nickel	<input type="checkbox"/> MBP: Medium Bronze	<input type="checkbox"/> BBA: Burnished Bronze	<input type="checkbox"/> HSS: Hammered
	<input type="checkbox"/> SNB: Satin Nickel	<input type="checkbox"/> SBP: Satin Black	<input type="checkbox"/> RNA: Red Naval Bronze	<input type="checkbox"/>
	<input type="checkbox"/> PNB: Polished Nickel	<input type="checkbox"/> DBP: Dark Bronze	<input type="checkbox"/> SGA: Satin Gold	<input type="checkbox"/>
	<input type="checkbox"/> AZB: Antique Bronze	<input type="checkbox"/> LBP: Light Bronze	<input type="checkbox"/> SBA: Satin Bronze	<input type="checkbox"/>
	<input type="checkbox"/> SZB: Satin Bronze	<input type="checkbox"/> MGP: Medium Gold	<input type="checkbox"/> ORA: Oil Rubbed Bronze	<input type="checkbox"/>
	<input type="checkbox"/> PZB: Polished Bronze	<input type="checkbox"/> SCP: Sponged Copper	<input type="checkbox"/> SCA: Satin Copper	<input type="checkbox"/>
	<input type="checkbox"/> CSB: Custom Brass*	<input type="checkbox"/> CSP: Custom Paint*	<input type="checkbox"/> CSA: Custom Aluminum*	<input type="checkbox"/>
				<input type="checkbox"/> CSS: Custom SS*

OPTIONS	<input type="checkbox"/> N250: 250wPar38 Downlight	<input type="checkbox"/> L311: 3-11wCLED Uplight	<input type="checkbox"/> FUS: Fusing
	<input type="checkbox"/> N300: 300wPar56 Downlight	<input type="checkbox"/> L611: 6-11wCLED Uplight	<input type="checkbox"/> IEM: Integral Emer.Ballast
	<input type="checkbox"/> N500: 500wPar56 Downlight	<input type="checkbox"/> L423: 4-23wCLED Downlight	<input type="checkbox"/> DALI: Dali dimming LED
	<input type="checkbox"/> DIM: Dimming Ballast	<input type="checkbox"/> L623: 6-23wCLED Downlight	<input type="checkbox"/> F242: 2-42wCFT Downlight
	<input type="checkbox"/> TPL: Top Lens	<input type="checkbox"/> L823: 8-23wCLED Downlight	<input type="checkbox"/> F442: 4-42wCFT Downlight