



Danaan

PD-6000~PD-6031

Our Danaan fixtures are classic cylindrical shapes with overlapping "x" rod supports and Greek Key pattern filigree reveals. These are stately fixtures meant for entrances to finer places. They look wonderful in classical Pantheon-like settings. Tall columns are ideal complements for Danaan fixtures. We show the pendant with a single chain support, but we recommend the 4-chain system shown in the pendant photo. They make good interior single chain fixtures. We offer matching wall, ceiling, bollard, and chandelier systems as well. Metals can be brass, aluminum, or stainless steel.

~Danaan Series~

Chandelier: CH-6000~CH-6011

Pendant: PD-6000~PD-6031

Ceiling Mount: CL-6000~CL-6008

Wall Mount: SC-6000~SC-6011

Bollard: BL-6000~BL-6011

Mounting: Lightsmith fixtures mount to standard 4" octagon electrical boxes unless otherwise specified. All hardware and canopies supplied.

Listing and Warranty: Lightsmith fixtures are Underwriters Laboratories listed and carry a standard three year warranty against defects in materials and labor beginning at date of shipment.



Fixture Specifications

PD-60

FIXTURE NUMBER
(Example: PD-6000)

DIFFUSER
(Example: BGA-ECH)

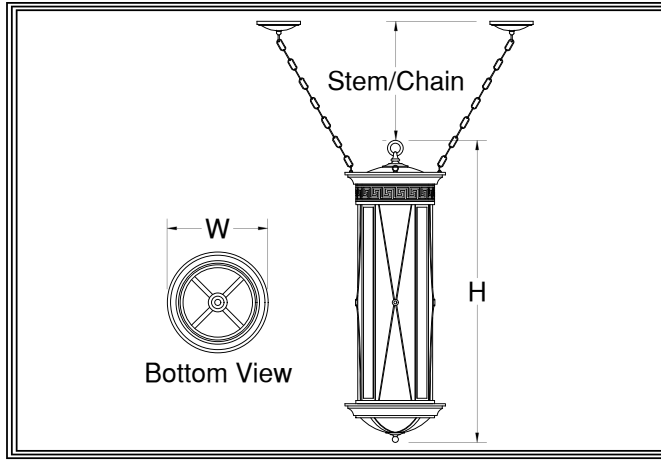
METAL FINISH
(Example: ABB)

VOLTAGE
 (120V)
 (277V)
 (347V)

STEM=S+Lgth
(Example: S-96")
CHAIN=C+Lgth
(Example: C-96")
NR=Not required

OPTIONS
(Example: DIM, REM)

MODIFICATIONS
(Example: Custom Paint*)
Use "Notes" Box At Top To Explain Modifications



PD-60__

Fixture Number Job Type

Job Name

Notes~Modifications

	Fixture Number	Dimensions	Lamping	Weight	Stem/Chain	Options
LED	<input type="checkbox"/> PD-6009	16w x 24h	6-13wLLED	32 lbs	3' Std	DALI,IEM,TPL,FUS**
	<input type="checkbox"/> PD-6010	16w x 36h	12-13wLLED	36 lbs	6' Std	L423,L623
	<input type="checkbox"/> PD-6011	16w x 48h	18-13wLLED	37 lbs	9' Std	L423,L623,L311
	<input type="checkbox"/> PD-6012	24w x 60h	24-13wLLED	55 lbs	9' Std	L623,L823,L611
	<input type="checkbox"/> PD-6013	24w x 72h	30-13wLLED	88 lbs	12' Std	L623,L823,L611
INCANDESCENT	<input type="checkbox"/> PD-6020	16w x 24h	6-60wA	27 lbs	3' Std	N250
	<input type="checkbox"/> PD-6000	16w x 36h	12-60wA	34 lbs	6' Std	N300
	<input type="checkbox"/> PD-6021	16w x 48h	18-60wA	31 lbs	9' Std	N300
	<input type="checkbox"/> PD-6001	24w x 60h	24-60wA	48 lbs	9' Std	N500
	<input type="checkbox"/> PD-6002	24w x 72h	30-60wA	78 lbs	12' Std	N500
FLUORESCENT	<input type="checkbox"/> PD-6030	16w x 24h	6-18wCFT	30 lbs	3' Std	DIM,IEM,TPL,FUS*
	<input type="checkbox"/> PD-6003	16w x 36h	12-18wCFT	34 lbs	6' Std	F242
	<input type="checkbox"/> PD-6031	16w x 48h	18-18wCFT	35 lbs	9' Std	F242
	<input type="checkbox"/> PD-6004	24w x 60h	24-18wCFT	52 lbs	9' Std	F442
	<input type="checkbox"/> PD-6005	24w x 72h	30-18wCFT	82 lbs	12' Std	F442

~Single Circuit Standard Wiring~

*All Fluorescent Fixtures
**All LED Fixtures

DIFFUSER	DIFFUSER	DIFFUSER
<input type="checkbox"/> BGA: Beige Alabaster Acrylic	<input type="checkbox"/> GRA: Green Edge Acrylic	<input type="checkbox"/> ECH: Etched*
<input type="checkbox"/> NHA: Natural Horn Acrylic	<input type="checkbox"/> EGA: Earth Green Acrylic	*Etched option creates a matte, non-glossy finish on one side of the diffuser. (Example: WOA-ECH)
<input type="checkbox"/> WHA: White Alabaster Acrylic	<input type="checkbox"/> DGA: Deep Gold Acrylic	
<input type="checkbox"/> HNA: Honey Alabaster Acrylic	<input type="checkbox"/> SBA: Sea Blue Acrylic	
<input type="checkbox"/> WOA: White Opal Acrylic	<input type="checkbox"/> PHA: Purple Haze Acrylic	

METAL FINISH	SOLID BRASS FINISHES	PAINTED METAL FINISHES	ALUMINUM FINISHES	STAINLESS STEEL FINISHES
<input type="checkbox"/> ABB: Antique Brass	<input type="checkbox"/> DGP: Dark Green	<input type="checkbox"/> SAA: Satin Aluminum	<input type="checkbox"/> SSS: Satin	
<input type="checkbox"/> SBB: Satin Brass	<input type="checkbox"/> VGP: Verde Green	<input type="checkbox"/> SNA: Satin Nickel	<input type="checkbox"/> DSS: Distressed	
<input type="checkbox"/> PBB: Polished Brass	<input type="checkbox"/> CGP: Charcoal Gray	<input type="checkbox"/> PAA: Polished Aluminum	<input type="checkbox"/> PSS: Polished	
<input type="checkbox"/> ANB: Antique Nickel	<input type="checkbox"/> MBP: Medium Bronze	<input type="checkbox"/> BBA: Burnished Bronze	<input type="checkbox"/> HSS: Hammered	
<input type="checkbox"/> SNB: Satin Nickel	<input type="checkbox"/> SBP: Satin Black	<input type="checkbox"/> RNA: Red Naval Bronze		
<input type="checkbox"/> PNB: Polished Nickel	<input type="checkbox"/> DBP: Dark Bronze	<input type="checkbox"/> SGA: Satin Gold		
<input type="checkbox"/> AZB: Antique Bronze	<input type="checkbox"/> LBP: Light Bronze	<input type="checkbox"/> SBA: Satin Bronze		
<input type="checkbox"/> SZB: Satin Bronze	<input type="checkbox"/> MGP: Medium Gold	<input type="checkbox"/> ORA: Oil Rubbed Bronze		
<input type="checkbox"/> PZB: Polished Bronze	<input type="checkbox"/> SCP: Sponged Copper	<input type="checkbox"/> SCA: Satin Copper		
<input type="checkbox"/> CSB: Custom Brass*	<input type="checkbox"/> CSP: Custom Paint*	<input type="checkbox"/> CSA: Custom Aluminum*	<input type="checkbox"/> CSS: Custom SS*	

OPTIONS	OPTIONS	OPTIONS
<input type="checkbox"/> N250: 250wPar38 Downlight	<input type="checkbox"/> L311: 3-11wCLED Uplight	<input type="checkbox"/> FUS: Fusing
<input type="checkbox"/> N300: 300wPar56 Downlight	<input type="checkbox"/> L611: 6-11wCLED Uplight	<input type="checkbox"/> IEM: Integral Emer.Ballast
<input type="checkbox"/> N500: 500wPar56 Downlight	<input type="checkbox"/> L423: 4-23wCLED Downlight	<input type="checkbox"/> DALI: Dali dimming LED
<input type="checkbox"/> DIM: Dimming Ballast	<input type="checkbox"/> L623: 6-23wCLED Downlight	<input type="checkbox"/> F242: 2-42wCFT Downlight
<input type="checkbox"/> TPL: Top Lens	<input type="checkbox"/> L823: 8-23wCLED Downlight	<input type="checkbox"/> F442: 4-42wCFT Downlight