



Vulcan

PD-600~PD-631

Our Vulcan fixtures are a modern adaptation of an old Art Deco design. They feature layered twin square ribs interlocked by four curving support flats. The inverted pyramid diffuser is divided and accented by these ribs. These fixtures are made to mount from the four corners of a room with no center canopy if so desired. We build Vulcan from very stout solid brass or aluminum metals. Acrylic panels may be ordered from a variety of colors. And pendant lamping options include a very powerful center uplight that may be LED, CFL, or incandescent as needed.

~Vulcan Series~

- Chandelier: CH-600~CH-611
- Pendant: PD-600~PD-631
- Ceiling Mount: CL-600~CL-608
- Wall Mount: SC-600~SC-611
- Bollard: BL-600~BL-611

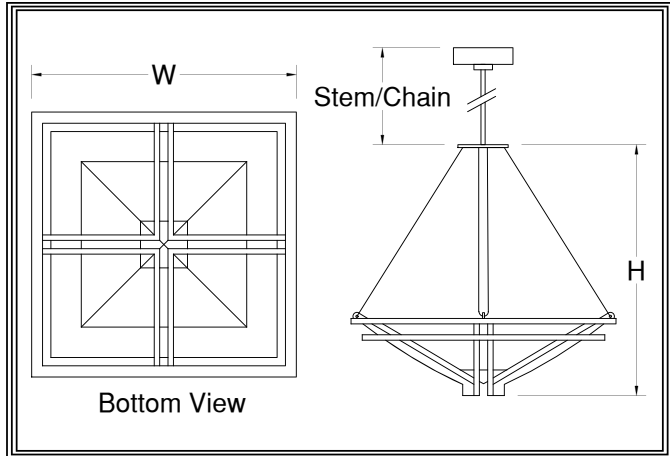
Mounting: Lightsmith fixtures mount to standard 4" octagon electrical boxes unless otherwise specified. All hardware and canopies supplied.

Listing and Warranty: Lightsmith fixtures are Underwriters Laboratories listed and carry a standard three year warranty against defects in materials and labor beginning at date of shipment.



Fixture Specifications

PD-6 <small>FIXTURE NUMBER (Example: PD-600)</small>	~	<small>DIFFUSER (Example: BGA-ECH)</small>	~	<small>METAL FINISH (Example: ABB)</small>	~	<small>VOLTAGE <input type="checkbox"/> (120V) <input type="checkbox"/> (277V) <input type="checkbox"/> (347V) </small>	~	<small>STEM=S+Lgth (Example: S-96") CHAIN=C+Lgth (Example: C-96") NR=Not required </small>	~	<small>OPTIONS (Example: DIM, REM)</small>	~	<small>MODIFICATIONS (Example: Custom Paint) Use "Notes" Box At Top To Explain Modifications </small>
--	---	--	---	--	---	--	---	--	---	--	---	--



PD-6

Fixture Number Job Type

Job Name

Notes~Modifications

	Fixture Number	Dimensions	Lamping	Weight	Stem/Chain	Options
LED	<input type="checkbox"/> PD-609	20w x 22h	2-13wLLED	32 lbs	3' Std	DALI,IEM,TPL,FUS**
	<input type="checkbox"/> PD-610	24w x 26h	4-13wLLED/1-38wCLED	37 lbs	6' Std	L423,L623
	<input type="checkbox"/> PD-611	30w x 32h	6-13wLLED/1-38wCLED	44 lbs	9' Std	L423,L623,L311
	<input type="checkbox"/> PD-612	36w x 38h	12-13wLLED/1-52wCLED	49 lbs	9' Std	L623,L823,L611
	<input type="checkbox"/> PD-613	48w x 50h	18-13wLLED/1-52wCLED	59 lbs	12' Std	L623,L823,L611
INCANDESCENT	<input type="checkbox"/> PD-620	20w x 22h	1-150wA	29 lbs	3' Std	N250
	<input type="checkbox"/> PD-600	24w x 26h	3-75wA/1-250wP38	34 lbs	6' Std	N300
	<input type="checkbox"/> PD-621	30w x 32h	6-75wA/1-250wP38	41 lbs	9' Std	N300
	<input type="checkbox"/> PD-601	36w x 38h	6-75wA/1-500wR40	46 lbs	9' Std	N500
	<input type="checkbox"/> PD-602	48w x 50h	9-75wA/1-500wR40	56 lbs	12' Std	N500
FLUORESCENT	<input type="checkbox"/> PD-630	20w x 22h	1-42wCFT	31 lbs	3' Std	DIM,IEM,TPL,FUS*
	<input type="checkbox"/> PD-603	24w x 26h	2-42wCFT/2-42wCFTup	36 lbs	6' Std	F242
	<input type="checkbox"/> PD-631	30w x 32h	4-42wCFT/2-42wCFTup	43 lbs	9' Std	F242
	<input type="checkbox"/> PD-604	36w x 38h	6-FT40w/4-42wCFTup	48 lbs	9' Std	F442
	<input type="checkbox"/> PD-605	48w x 50h	6-FT50w/4-42wCFTup	58 lbs	12' Std	F442

~Double Circuit Standard Wiring~

*All Fluorescent Fixtures
**All LED Fixtures

DIFFUSER	<input type="checkbox"/> BGA: Beige Alabaster Acrylic	<input type="checkbox"/> GRA: Green Edge Acrylic	<input type="checkbox"/> ECH: Etched*
	<input type="checkbox"/> NHA: Natural Horn Acrylic	<input type="checkbox"/> EGA: Earth Green Acrylic	<i>*Etched option creates a matte, non-glossy finish on one side of the diffuser. (Example: WOA-ECH)</i>
	<input type="checkbox"/> WHA: White Alabaster Acrylic	<input type="checkbox"/> DGA: Deep Gold Acrylic	
	<input type="checkbox"/> HNA: Honey Alabaster Acrylic	<input type="checkbox"/> SBA: Sea Blue Acrylic	
	<input type="checkbox"/> WOA: White Opal Acrylic	<input type="checkbox"/> PHA: Purple Haze Acrylic	

	SOLID BRASS FINISHES	PAINTED METAL FINISHES	ALUMINUM FINISHES	STAINLESS STEEL FINISHES
METAL FINISH	<input type="checkbox"/> ABB: Antique Brass	<input type="checkbox"/> DGP: Dark Green	<input type="checkbox"/> SAA: Satin Aluminum	<input type="checkbox"/> SSS: Satin
	<input type="checkbox"/> SBB: Satin Brass	<input type="checkbox"/> VGP: Verde Green	<input type="checkbox"/> SNA: Satin Nickel	<input type="checkbox"/> DSS: Distressed
	<input type="checkbox"/> PBB: Polished Brass	<input type="checkbox"/> CGP: Charcoal Gray	<input type="checkbox"/> PAA: Polished Aluminum	<input type="checkbox"/> PSS: Polished
	<input type="checkbox"/> ANB: Antique Nickel	<input type="checkbox"/> MBP: Medium Bronze	<input type="checkbox"/> BBA: Burnished Bronze	<input type="checkbox"/> HSS: Hammered
	<input type="checkbox"/> SNB: Satin Nickel	<input type="checkbox"/> SBP: Satin Black	<input type="checkbox"/> RNA: Red Naval Bronze	<input type="checkbox"/>
	<input type="checkbox"/> PNB: Polished Nickel	<input type="checkbox"/> DBP: Dark Bronze	<input type="checkbox"/> SGA: Satin Gold	<input type="checkbox"/>
	<input type="checkbox"/> AZB: Antique Bronze	<input type="checkbox"/> LBP: Light Bronze	<input type="checkbox"/> SBA: Satin Bronze	<input type="checkbox"/>
	<input type="checkbox"/> SZB: Satin Bronze	<input type="checkbox"/> MGP: Medium Gold	<input type="checkbox"/> ORA: Oil Rubbed Bronze	<input type="checkbox"/>
	<input type="checkbox"/> PZB: Polished Bronze	<input type="checkbox"/> SCP: Sponged Copper	<input type="checkbox"/> SCA: Satin Copper	<input type="checkbox"/>
	<input type="checkbox"/> CSB: Custom Brass*	<input type="checkbox"/> CSP: Custom Paint*	<input type="checkbox"/> CSA: Custom Aluminum*	<input type="checkbox"/> CSS: Custom SS*

OPTIONS	<input type="checkbox"/> N250: 250wPar38 Downlight	<input type="checkbox"/> L311: 3-11wCLED Uplight	<input type="checkbox"/> FUS: Fusing
	<input type="checkbox"/> N300: 300wPar56 Downlight	<input type="checkbox"/> L611: 6-11wCLED Uplight	<input type="checkbox"/> IEM: Integral Emer.Ballast
	<input type="checkbox"/> N500: 500wPar56 Downlight	<input type="checkbox"/> L423: 4-23wCLED Downlight	<input type="checkbox"/> DALI: Dali dimming LED
	<input type="checkbox"/> DIM: Dimming Ballast	<input type="checkbox"/> L623: 6-23wCLED Downlight	<input type="checkbox"/> F242: 2-42wCFT Downlight
	<input type="checkbox"/> TPL: Top Lens	<input type="checkbox"/> L823: 8-23wCLED Downlight	<input type="checkbox"/> F442: 4-42wCFT Downlight