



**BL-609~BL-613**

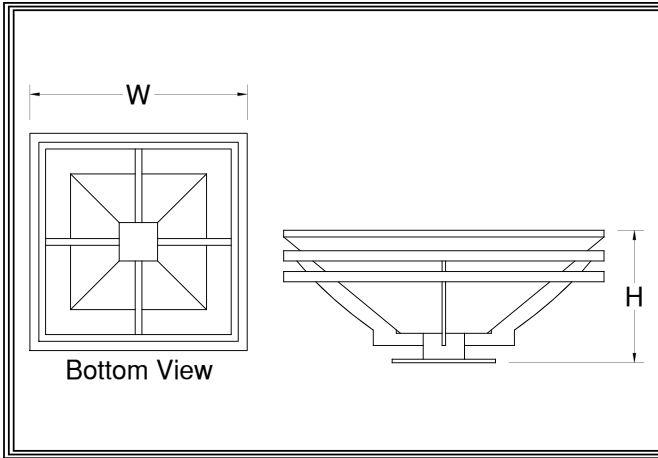
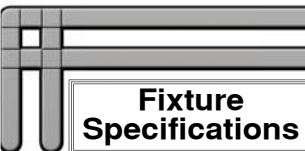
Our Vulcan fixtures are a modern adaptation of an old Art Deco design. They feature layered twin square ribs interlocked by four curving support flats. The inverted pyramid diffuser is divided and accented by these ribs. Vulcan pendants are made to mount from the four corners of a room with no center canopy if so desired. We build Vulcan from very stout solid brass or aluminum metals. Acrylic panels may be ordered from a variety of colors. And pendant lamping options include a very powerful center upright that may be LED, CFL, or incandescent as needed.

**~Vulcan Series~**

- Chandelier: CH-600~CH-631
- Pendant: PD-600~PD-631
- Ceiling Mt: CL-600~CL-608
- Wall Mt: SC-600~SC-611
- Bollard: BL-600~BL-613

**Mounting:** Lightsmith fixtures mount to standard 4" octagon electrical boxes unless otherwise specified. All hardware and canopies supplied.

**Listing and Warranty:** Lightsmith fixtures are Underwriters Laboratories listed and carry a standard three year warranty against defects in materials and labor beginning at date of shipment.



BL-6\_\_     

Fixture Number      Job Type

Job Name

Notes~Modifications

	Fixture Number	Dimensions	Lamping	Weight	Stem/Chain	Options
LED	<input type="checkbox"/> BL-609	20w x 10h	4-13w LED (5640 lumens)	16 lbs	NA	TPL,IEM
	<input type="checkbox"/> BL-610	24w x 12h	6-13w LED (8460 lumens)	22 lbs		TPL,IEM
	<input type="checkbox"/> BL-611	30w x 15h	8-13w LED (11280 lumens)	31 lbs		TPL,IEM
	<input type="checkbox"/> BL-612	36w x 18h	12-13w LED (16920 lumens)	36 lbs		TPL,IEM
	<input type="checkbox"/> BL-613	48w x 24h	16-13w LED (22560 lumens)	49 lbs		TPL,IEM
	<input type="checkbox"/>					
	<input type="checkbox"/>					
	<input type="checkbox"/>					
	<input type="checkbox"/>					
	<input type="checkbox"/>					
	<input type="checkbox"/>					

~One Circuit Standard Wiring~

DIFFUSER	<input type="checkbox"/> WOA: White Opal Acrylic	<input type="checkbox"/>	<input type="checkbox"/> ECH: Etched*
	<input type="checkbox"/> GRA: Green Edge Acrylic	<input type="checkbox"/>	<i>*Etched option creates a matte, non-glossy finish on one side of the diffuser. (Example:WOA-ECH)</i>
	<input type="checkbox"/>	<input type="checkbox"/>	
	<input type="checkbox"/>	<input type="checkbox"/>	
	<input type="checkbox"/>	<input type="checkbox"/>	

	SOLID BRASS FINISHES	PAINTED METAL FINISHES	ALUMINUM FINISHES	STAINLESS STEEL FINISHES
METAL FINISH	<input type="checkbox"/> ABB: Antique Brass	<input type="checkbox"/> DGP: Dark Green	<input type="checkbox"/> SAA: Satin Aluminum	<input type="checkbox"/> SSS: Satin
	<input type="checkbox"/> SBB: Satin Brass	<input type="checkbox"/> VGP: Verde Green	<input type="checkbox"/> SNA: Satin Nickel	<input type="checkbox"/> DSS: Distressed
	<input type="checkbox"/> PBB: Polished Brass	<input type="checkbox"/> CGP: Charcoal Gray	<input type="checkbox"/> PAA: Polished Aluminum	<input type="checkbox"/> PSS: Polished
	<input type="checkbox"/> ANB: Antique Nickel	<input type="checkbox"/> MBP: Medium Bronze	<input type="checkbox"/> BBA: Burnished Bronze	<input type="checkbox"/> HSS: Hammered
	<input type="checkbox"/> SNB: Satin Nickel	<input type="checkbox"/> SBP: Satin Black	<input type="checkbox"/> RNA: Red Naval Bronze	<input type="checkbox"/>
	<input type="checkbox"/> PNB: Polished Nickel	<input type="checkbox"/> DBP: Dark Bronze	<input type="checkbox"/> SGA: Satin Gold	<input type="checkbox"/>
	<input type="checkbox"/> AZB: Antique Bronze	<input type="checkbox"/> LBP: Light Bronze	<input type="checkbox"/> SBA: Satin Bronze	<input type="checkbox"/>
	<input type="checkbox"/> SZB: Satin Bronze	<input type="checkbox"/> MGP: Medium Gold	<input type="checkbox"/> ORA: Oil Rubbed Bronze	<input type="checkbox"/>
	<input type="checkbox"/> PZB: Polished Bronze	<input type="checkbox"/> SCP: Sponged Copper	<input type="checkbox"/> SCA: Satin Copper	<input type="checkbox"/>
	<input type="checkbox"/> CSB: Custom Brass*	<input type="checkbox"/> CSP: Custom Paint*	<input type="checkbox"/> CSA: Custom Aluminum*	<input type="checkbox"/> CSS: Custom SS*

OPTIONS	<input type="checkbox"/> TPL: Top Lens	<input type="checkbox"/>	<input type="checkbox"/>
	<input type="checkbox"/> IEM: Integral Emer Driver	<input type="checkbox"/>	<input type="checkbox"/>
	<input type="checkbox"/>	<input type="checkbox"/>	<input type="checkbox"/>
	<input type="checkbox"/>	<input type="checkbox"/>	<input type="checkbox"/>
	<input type="checkbox"/>	<input type="checkbox"/>	<input type="checkbox"/>

BL-6\_\_ ~  ~  ~  ~ NR ~  ~

FIXTURE NUMBER (Example: BL-609)     
 DIFFUSER (Example: WOA-ECH)     
 METAL FINISH (Example: ABB)     
 VOLTAGE  (120V)  (277V)  (347V)     
 NR=Not required     
 OPTIONS (Example:RGB)     
 MODIFICATIONS (Example:Custom Paint\*) Use "Notes" Box At Top To Explain Modifications