



Dharrok

PD-5700~PD-5714

Our Dharrok pendants are very contemporary bowls supported by multiple center stems. They feature step rings at top of the bowl that are framed with double interlocked support arches. Those arches cradle the acrylic bowl and tend to accentuate the upper stems as a continuation of the vertical lines starting at the support stem. What you may find most interesting about our Dharrok pendants are the extra large sizes available to you. We can make the pendants and sconces of this series to fit most any size interior. There are many finishes, lampings, and acrylics to choose from.

~Dharrok Series~

Chandelier: CH-5700~CH-5711

Pendant: PD-5700~PD-5714

Ceiling Mount: CL-5700~CL-5708

Wall Mount: SC-5700~SC-5711

Bollard: BL-5700~BL-5711

Mounting: Lightsmith fixtures mount to standard 4" octagon electrical boxes unless otherwise specified. All hardware and canopies supplied.

Listing and Warranty: Lightsmith fixtures are Underwriters Laboratories listed and carry a standard three year warranty against defects in materials and labor beginning at date of shipment.



Fixture Specifications

PD-57__

FIXTURE NUMBER
(Example: PD-5700)

DIFFUSER
(Example: BGA-ECH)

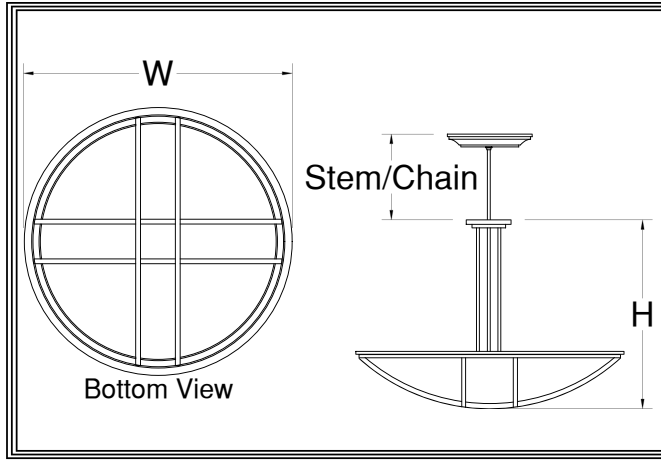
METAL FINISH
(Example: ABB)

VOLTAGE
 (120V)
 (277V)
 (347V)

STEM=S+Lgth
(Example: S-96")
CHAIN=C+Lgth
(Example: C-96")
NR=Not required

OPTIONS
(Example: DIM, REM)

MODIFICATIONS
(Example: Custom Paint*)
Use "Notes" Box At Top To Explain Modifications



PD-57__

Fixture Number

Job Type

Job Name

Notes~Modifications

	Fixture Number	Dimensions	Lamping	Weight	Stem/Chain	Options
LED	<input type="checkbox"/> PD-5710	26w x 30h	6-13wCLED	33 lbs	3' Std	DALI, IEM, TPL, FUS**
	<input type="checkbox"/> PD-5711	38w x 42h	6-23wCLED	44 lbs	6' Std	L423, L623
	<input type="checkbox"/> PD-5712	46w x 50h	8-23wCLED	52 lbs	9' Std	L423, L623, L311
	<input type="checkbox"/> PD-5713	72w x 78h	16-23wCLED	99 lbs	9' Std	L623, L823, L611
	<input type="checkbox"/> PD-5714	96w x 104h	24-23wCLED	165 lbs	12' Std	L623, L823, L611
INCANDESCENT	<input type="checkbox"/> PD-5700	26w x 30h	6-100wA	26 lbs	3' Std	N250
	<input type="checkbox"/> PD-5701	38w x 42h	6-150wA	36 lbs	6' Std	N300
	<input type="checkbox"/> PD-5702	46w x 50h	8-150wA	46 lbs	9' Std	N300
	<input type="checkbox"/> PD-5703	72w x 78h	16-150wA	88 lbs	9' Std	N500
	<input type="checkbox"/> PD-5704	96w x 104h	24-150wA	148 lbs	12' Std	N500
FLUORESCENT	<input type="checkbox"/> PD-5705	26w x 30h	4-42wCFT	30 lbs	3' Std	DIM, IEM, TPL, FUS*
	<input type="checkbox"/> PD-5706	38w x 42h	6-FT40w	41 lbs	6' Std	F242
	<input type="checkbox"/> PD-5707	46w x 50h	10-FT50w	50 lbs	9' Std	F242
	<input type="checkbox"/> PD-5708	72w x 78h	18-FT50w	95 lbs	9' Std	F442
	<input type="checkbox"/> PD-5709	96w x 104h	24-FT50w	160 lbs	12' Std	F442

~Single Circuit Standard Wiring~

*All Fluorescent Fixtures
**All LED Fixtures

DIFFUSER	<input type="checkbox"/> BGA: Beige Alabaster Acrylic	<input type="checkbox"/> GRA: Green Edge Acrylic	<input type="checkbox"/> ECH: Etched*
	<input type="checkbox"/> NHA: Natural Horn Acrylic	<input type="checkbox"/> EGA: Earth Green Acrylic	*Etched option creates a matte, non-glossy finish on one side of the diffuser. (Example: WOA-ECH)
	<input type="checkbox"/> WHA: White Alabaster Acrylic	<input type="checkbox"/> DGA: Deep Gold Acrylic	
	<input type="checkbox"/> HNA: Honey Alabaster Acrylic	<input type="checkbox"/> SBA: Sea Blue Acrylic	
	<input type="checkbox"/> WOA: White Opal Acrylic	<input type="checkbox"/> PHA: Purple Haze Acrylic	

	SOLID BRASS FINISHES	PAINTED METAL FINISHES	ALUMINUM FINISHES	STAINLESS STEEL FINISHES
METAL FINISH	<input type="checkbox"/> ABB: Antique Brass	<input type="checkbox"/> DGP: Dark Green	<input type="checkbox"/> SAA: Satin Aluminum	<input type="checkbox"/> SSS: Satin
	<input type="checkbox"/> SBB: Satin Brass	<input type="checkbox"/> VGP: Verde Green	<input type="checkbox"/> SNA: Satin Nickel	<input type="checkbox"/> DSS: Distressed
	<input type="checkbox"/> PBB: Polished Brass	<input type="checkbox"/> CGP: Charcoal Gray	<input type="checkbox"/> PAA: Polished Aluminum	<input type="checkbox"/> PSS: Polished
	<input type="checkbox"/> ANB: Antique Nickel	<input type="checkbox"/> MBP: Medium Bronze	<input type="checkbox"/> BBA: Burnished Bronze	<input type="checkbox"/> HSS: Hammered
	<input type="checkbox"/> SNB: Satin Nickel	<input type="checkbox"/> SBP: Satin Black	<input type="checkbox"/> RNA: Red Naval Bronze	<input type="checkbox"/>
	<input type="checkbox"/> PNB: Polished Nickel	<input type="checkbox"/> DBP: Dark Bronze	<input type="checkbox"/> SGA: Satin Gold	<input type="checkbox"/>
	<input type="checkbox"/> AZB: Antique Bronze	<input type="checkbox"/> LBP: Light Bronze	<input type="checkbox"/> SBA: Satin Bronze	<input type="checkbox"/>
	<input type="checkbox"/> SZB: Satin Bronze	<input type="checkbox"/> MGP: Medium Gold	<input type="checkbox"/> ORA: Oil Rubbed Bronze	<input type="checkbox"/>
	<input type="checkbox"/> PZB: Polished Bronze	<input type="checkbox"/> SCP: Sponged Copper	<input type="checkbox"/> SCA: Satin Copper	<input type="checkbox"/>
	<input type="checkbox"/> CSB: Custom Brass*	<input type="checkbox"/> CSP: Custom Paint*	<input type="checkbox"/> CSA: Custom Aluminum*	<input type="checkbox"/>
	<input type="checkbox"/>			<input type="checkbox"/> CSS: Custom SS*
	<input type="checkbox"/>			<input type="checkbox"/>
	<input type="checkbox"/>			<input type="checkbox"/>

OPTIONS	<input type="checkbox"/> N250: 250wPar38 Downlight	<input type="checkbox"/> L311: 3-11wCLED Uplight	<input type="checkbox"/> FUS: Fusing
	<input type="checkbox"/> N300: 300wPar56 Downlight	<input type="checkbox"/> L611: 6-11wCLED Uplight	<input type="checkbox"/> IEM: Integral Emer. Ballast
	<input type="checkbox"/> N500: 500wPar56 Downlight	<input type="checkbox"/> L423: 4-23wCLED Downlight	<input type="checkbox"/> DALI: Dali dimming LED
	<input type="checkbox"/> DIM: Dimming Ballast	<input type="checkbox"/> L623: 6-23wCLED Downlight	<input type="checkbox"/> F242: 2-42wCFT Downlight
	<input type="checkbox"/> TPL: Top Lens	<input type="checkbox"/> L823: 8-23wCLED Downlight	<input type="checkbox"/> F442: 4-42wCFT Downlight
	<input type="checkbox"/>		
	<input type="checkbox"/>		
	<input type="checkbox"/>		