



Torag

PD-5600~PD-5631

Our Torag fixtures are some of the few totally indirect light sources we build here at the Lightsmith studios. They are inverted metal pyramids with fine metal trims attached to the sides and canopy. You may order them in any combination of painted, brass, or aluminum finishes. Custom RAL colors are welcome. These fixtures are all fitted with integral high-optic reflector systems to insure a maximum amount of light goes to the ceiling and then the floor. Use our CFL and LED options for years of maintenance free service and terrific energy savings.

~Torag Series~

- Chandelier: CH-5600~CH-5611
- Pendant: PD-5600~PD-5631**
- Ceiling Mount: CL-5600~CL-5608
- Wall Mount: SC-5600~SC-5611
- Bollard: BL-5600~BL-5611

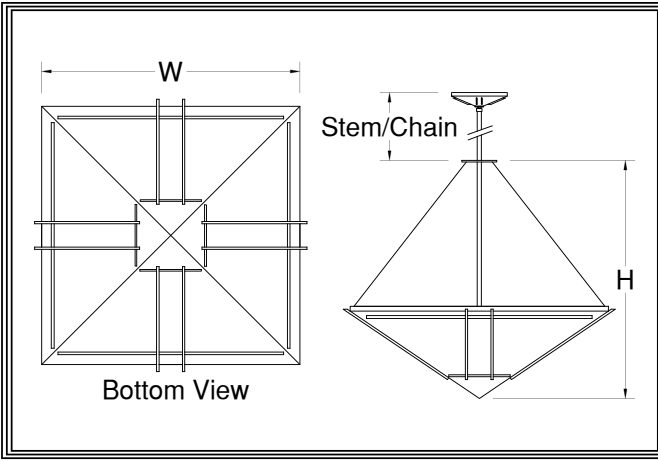
Mounting: Lightsmith fixtures mount to standard 4" octagon electrical boxes unless otherwise specified. All hardware and canopies supplied.

Listing and Warranty: Lightsmith fixtures are Underwriters Laboratories listed and carry a standard three year warranty against defects in materials and labor beginning at date of shipment.



Fixture Specifications

PD-56 <small>FIXTURE NUMBER (Example: PD-5600)</small>	~	PYRAMID <small>(Example: DGP)</small>	~	TRIM BARS <small>(Example: PBB)</small>	~	VOLTAGE <input type="checkbox"/> (120V) <input type="checkbox"/> (277V) <input type="checkbox"/> (347V)	~	STEM= S+Lgth <small>(Example: S-96")</small> CHAIN= C+Lgth <small>(Example: C-96")</small> NR= Not required	~	OPTIONS <small>(Example: DIM, REM)</small>	~	MODIFICATIONS <small>(Example: Custom Paint*) Use "Notes" Box At Top To Explain Modifications</small>
--	---	---	---	---	---	---	---	--	---	--	---	---



PD-56

Fixture Number Job Type

Job Name

Notes~Modifications

	Fixture Number	Dimensions	Lamping	Weight	Stem/Chain	Options
LED	<input type="checkbox"/> PD-5609	22w x 20h	4-13wCLED	22 lbs	3' Std	DALI,IEM,TPL,FUS**
	<input type="checkbox"/> PD-5610	28w x 25h	6-13wCLED	28 lbs	6' Std	L423,L623
	<input type="checkbox"/> PD-5611	32w x 28h	4-23wCLED	35 lbs	9' Std	L423,L623,L311
	<input type="checkbox"/> PD-5612	36w x 32h	4-38wCLED	39 lbs	9' Std	L623,L823,L611
	<input type="checkbox"/> PD-5613	46w x 43h	6-52wCLED	50 lbs	12' Std	L623,L823,L611
INCANDESCENT	<input type="checkbox"/> PD-5620	22w x 20h	3-100wA	19 lbs	3' Std	N250
	<input type="checkbox"/> PD-5600	28w x 25h	3-150wA	24 lbs	6' Std	N300
	<input type="checkbox"/> PD-5621	32w x 28h	6-100wA	30 lbs	9' Std	N300
	<input type="checkbox"/> PD-5601	36w x 32h	6-150wA	36 lbs	9' Std	N500
	<input type="checkbox"/> PD-5602	46w x 43h	12-150wA	46 lbs	12' Std	N500
FLUORESCENT	<input type="checkbox"/> PD-5630	22w x 20h	2-42wCFT	20 lbs	3' Std	DIM,IEM,TPL,FUS*
	<input type="checkbox"/> PD-5603	28w x 25h	4-42wCFT	26 lbs	6' Std	F242
	<input type="checkbox"/> PD-5631	32w x 28h	6-42wCFT	32 lbs	9' Std	F242
	<input type="checkbox"/> PD-5604	36w x 32h	6-FT40w	38 lbs	9' Std	F442
	<input type="checkbox"/> PD-5605	46w x 43h	8-FT50w	49 lbs	12' Std	F442

~Two Circuits Standard Wiring~

*All Fluorescent Fixtures
**All LED Fixtures

Choose from any of the metal finishes below.

<p style="text-align: center; font-size: x-small;">PYRAMID</p> <input type="checkbox"/> <input type="checkbox"/> <input type="checkbox"/> <input type="checkbox"/>	<input type="checkbox"/> <input type="checkbox"/> <input type="checkbox"/> <input type="checkbox"/>
---	--

	SOLID BRASS FINISHES	PAINTED METAL FINISHES	ALUMINUM FINISHES	STAINLESS STEEL FINISHES
TRIM BARS	<input type="checkbox"/> ABB: Antique Brass	<input type="checkbox"/> DGP: Dark Green	<input type="checkbox"/> SAA: Satin Aluminum	<input type="checkbox"/> SSS: Satin
	<input type="checkbox"/> SBB: Satin Brass	<input type="checkbox"/> VGP: Verde Green	<input type="checkbox"/> SNA: Satin Nickel	<input type="checkbox"/> DSS: Distressed
	<input type="checkbox"/> PBB: Polished Brass	<input type="checkbox"/> CGP: Charcoal Gray	<input type="checkbox"/> PAA: Polished Aluminum	<input type="checkbox"/> PSS: Polished
	<input type="checkbox"/> ANB: Antique Nickel	<input type="checkbox"/> MBP: Medium Bronze	<input type="checkbox"/> BBA: Burnished Bronze	<input type="checkbox"/> HSS: Hammered
	<input type="checkbox"/> SNB: Satin Nickel	<input type="checkbox"/> SBP: Satin Black	<input type="checkbox"/> RNA: Red Naval Bronze	<input type="checkbox"/>
	<input type="checkbox"/> PNB: Polished Nickel	<input type="checkbox"/> DBP: Dark Bronze	<input type="checkbox"/> SGA: Satin Gold	<input type="checkbox"/>
	<input type="checkbox"/> AZB: Antique Bronze	<input type="checkbox"/> LBP: Light Bronze	<input type="checkbox"/> SBA: Satin Bronze	<input type="checkbox"/>
	<input type="checkbox"/> SZB: Satin Bronze	<input type="checkbox"/> MGP: Medium Gold	<input type="checkbox"/> ORA: Oil Rubbed Bronze	<input type="checkbox"/>
	<input type="checkbox"/> PZB: Polished Bronze	<input type="checkbox"/> SCP: Sponged Copper	<input type="checkbox"/> SCA: Satin Copper	<input type="checkbox"/>
	<input type="checkbox"/> CSB: Custom Brass*	<input type="checkbox"/> CSP: Custom Paint*	<input type="checkbox"/> CSA: Custom Aluminum*	<input type="checkbox"/> CSS: Custom SS*

OPTIONS	<input type="checkbox"/> N250: 250wPar38 Downlight	<input type="checkbox"/> L311: 3-11wCLED Uplight	<input type="checkbox"/> FUS: Fusing
	<input type="checkbox"/> N300: 300wPar56 Downlight	<input type="checkbox"/> L611: 6-11wCLED Uplight	<input type="checkbox"/> IEM: Integral Emer.Ballast
	<input type="checkbox"/> N500: 500wPar56 Downlight	<input type="checkbox"/> L423: 4-23wCLED Downlight	<input type="checkbox"/> DALI: Dali dimming LED
	<input type="checkbox"/> DIM: Dimming Ballast	<input type="checkbox"/> L623: 6-23wCLED Downlight	<input type="checkbox"/> F242: 2-42wCFT Downlight
	<input type="checkbox"/> TPL: Top Lens	<input type="checkbox"/> L823: 8-23wCLED Downlight	<input type="checkbox"/> F442: 4-42wCFT Downlight