



Savanna

PD-5300~PD-5331

Our Savanna fixtures are just plain nice. They are as simple and straightforward as a bowl-type fixture can get. But at the same time, they are also quite sturdy because of the curved arch around the top rim of the bowl. We hand vacuum form each and every one of these lights here in our Lightsmith studios. Each curved rim becomes a strengthening rib for the entire fixture. And they come in some amazing colors. The white alabaster that we show in the pendant is our favorite for this light and plays well against the dark brass metal finish you see. Try our LED's, nothing better.

~Savanna Series~

- Chandelier: CH-5300~CH-5311
- Pendant: PD-5300~PD-5331**
- Ceiling Mount: CL-5300~CL-5308
- Wall Mount: SC-5300~SC-5311
- Bollard: BL-5300~BL-5311

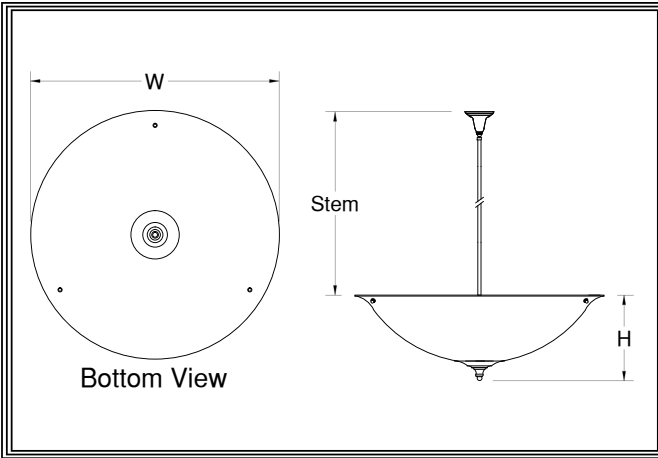
Mounting: Lightsmith fixtures mount to standard 4" octagon electrical boxes unless otherwise specified. All hardware and canopies supplied.

Listing and Warranty: Lightsmith fixtures are Underwriters Laboratories listed and carry a standard three year warranty against defects in materials and labor beginning at date of shipment.



Fixture Specifications

PD-53 FIXTURE NUMBER (Example: PD-5300)	~	DIFFUSER (Example: BGA-ECH)	~	METAL FINISH (Example: ABB)	~	VOLTAGE <input type="checkbox"/> (120V) <input type="checkbox"/> (277V) <input type="checkbox"/> (347V)	~	STEM=S+Lgth (Example: S-96") CHAIN=C+Lgth (Example: C-96") NR=Not required	~	OPTIONS (Example: DIM,REM)	~	MODIFICATIONS (Example: Custom Paint*) Use "Notes" Box At Top To Explain Modifications
--	---	--------------------------------	---	--------------------------------	---	--	---	--	---	-------------------------------	---	--



PD-53 _____

Fixture Number Job Type

Job Name

Notes~Modifications

	Fixture Number	Dimensions	Lamping	Weight	Stem/Chain	Options
LED	<input type="checkbox"/> PD-5309	20w x 10h	4-13wCLED	20 lbs	3' Std	DALI,IEM,TPL,FUS**
	<input type="checkbox"/> PD-5310	26w x 12h	6-13wCLED	24 lbs	6' Std	L423,L623
	<input type="checkbox"/> PD-5311	32w x 14h	4-23wCLED	30 lbs	9' Std	L423,L623,L311
	<input type="checkbox"/> PD-5312	38w x 16h	4-38wCLED	36 lbs	9' Std	L623,L823,L611
	<input type="checkbox"/> PD-5313	52w x 20h	6-52wCLED	50 lbs	12' Std	L623,L823,L611
INCANDESCENT	<input type="checkbox"/> PD-5320	20w x 10h	3-100wA	17 lbs	3' Std	N250
	<input type="checkbox"/> PD-5300	26w x 12h	3-150wA	21 lbs	6' Std	N300
	<input type="checkbox"/> PD-5321	32w x 14h	6-100wA	27 lbs	9' Std	N300
	<input type="checkbox"/> PD-5301	38w x 16h	6-150wA	33 lbs	9' Std	N500
	<input type="checkbox"/> PD-5302	52w x 20h	12-150wA	47 lbs	12' Std	N500
FLUORESCENT	<input type="checkbox"/> PD-5330	20w x 10h	2-42wCFT	19 lbs	3' Std	DIM,IEM,TPL,FUS*
	<input type="checkbox"/> PD-5303	26w x 12h	4-42wCFT	23 lbs	6' Std	F242
	<input type="checkbox"/> PD-5331	32w x 14h	6-42wCFT	29 lbs	9' Std	F242
	<input type="checkbox"/> PD-5304	38w x 16h	8-42wCFT	35 lbs	9' Std	F442
	<input type="checkbox"/> PD-5305	52w x 20h	10-42wCFT	49 lbs	12' Std	F442

~Two Circuits Standard Wiring~

*All Fluorescent Fixtures
**All LED Fixtures

DIFFUSER	<input type="checkbox"/> BGA: Beige Alabaster Acrylic	<input type="checkbox"/> GRA: Green Edge Acrylic	<input type="checkbox"/> ECH: Etched*
	<input type="checkbox"/> NHA: Natural Horn Acrylic	<input type="checkbox"/> EGA: Earth Green Acrylic	*Etched option creates a matte, non-glossy finish on one side of the diffuser. (Example: WOA-ECH)
	<input type="checkbox"/> WHA: White Alabaster Acrylic	<input type="checkbox"/> DGA: Deep Gold Acrylic	
	<input type="checkbox"/> HNA: Honey Alabaster Acrylic	<input type="checkbox"/> SBA: Sea Blue Acrylic	
	<input type="checkbox"/> WOA: White Opal Acrylic	<input type="checkbox"/> PHA: Purple Haze Acrylic	

	SOLID BRASS FINISHES	PAINTED METAL FINISHES	ALUMINUM FINISHES	STAINLESS STEEL FINISHES
METAL FINISH	<input type="checkbox"/> ABB: Antique Brass	<input type="checkbox"/> DGP: Dark Green	<input type="checkbox"/> SAA: Satin Aluminum	<input type="checkbox"/> SSS: Satin
	<input type="checkbox"/> SBB: Satin Brass	<input type="checkbox"/> VGP: Verde Green	<input type="checkbox"/> SNA: Satin Nickel	<input type="checkbox"/> DSS: Distressed
	<input type="checkbox"/> PBB: Polished Brass	<input type="checkbox"/> CGP: Charcoal Gray	<input type="checkbox"/> PAA: Polished Aluminum	<input type="checkbox"/> PSS: Polished
	<input type="checkbox"/> ANB: Antique Nickel	<input type="checkbox"/> MBP: Medium Bronze	<input type="checkbox"/> BBA: Burnished Bronze	<input type="checkbox"/> HSS: Hammered
	<input type="checkbox"/> SNB: Satin Nickel	<input type="checkbox"/> SBP: Satin Black	<input type="checkbox"/> RNA: Red Naval Bronze	<input type="checkbox"/>
	<input type="checkbox"/> PNB: Polished Nickel	<input type="checkbox"/> DBP: Dark Bronze	<input type="checkbox"/> SGA: Satin Gold	<input type="checkbox"/>
	<input type="checkbox"/> AZB: Antique Bronze	<input type="checkbox"/> LBP: Light Bronze	<input type="checkbox"/> SBA: Satin Bronze	<input type="checkbox"/>
	<input type="checkbox"/> SZB: Satin Bronze	<input type="checkbox"/> MGP: Medium Gold	<input type="checkbox"/> ORA: Oil Rubbed Bronze	<input type="checkbox"/>
	<input type="checkbox"/> PZB: Polished Bronze	<input type="checkbox"/> SCP: Sponged Copper	<input type="checkbox"/> SCA: Satin Copper	<input type="checkbox"/>
	<input type="checkbox"/> CSB: Custom Brass*	<input type="checkbox"/> CSP: Custom Paint*	<input type="checkbox"/> CSA: Custom Aluminum*	<input type="checkbox"/> CSS: Custom SS*

OPTIONS	<input type="checkbox"/> N250: 250wPar38 Downlight	<input type="checkbox"/> L311: 3-11wCLED Uplight	<input type="checkbox"/> FUS: Fusing
	<input type="checkbox"/> N300: 300wPar56 Downlight	<input type="checkbox"/> L611: 6-11wCLED Uplight	<input type="checkbox"/> IEM: Integral Emer.Ballast
	<input type="checkbox"/> N500: 500wPar56 Downlight	<input type="checkbox"/> L423: 4-23wCLED Downlight	<input type="checkbox"/> DALI: Dali dimming LED
	<input type="checkbox"/> DIM: Dimming Ballast	<input type="checkbox"/> L623: 6-23wCLED Downlight	<input type="checkbox"/> F242: 2-42wCFT Downlight
	<input type="checkbox"/> TPL: Top Lens	<input type="checkbox"/> L823: 8-23wCLED Downlight	<input type="checkbox"/> F442: 4-42wCFT Downlight